



6.2-inch HVGA Color TFT

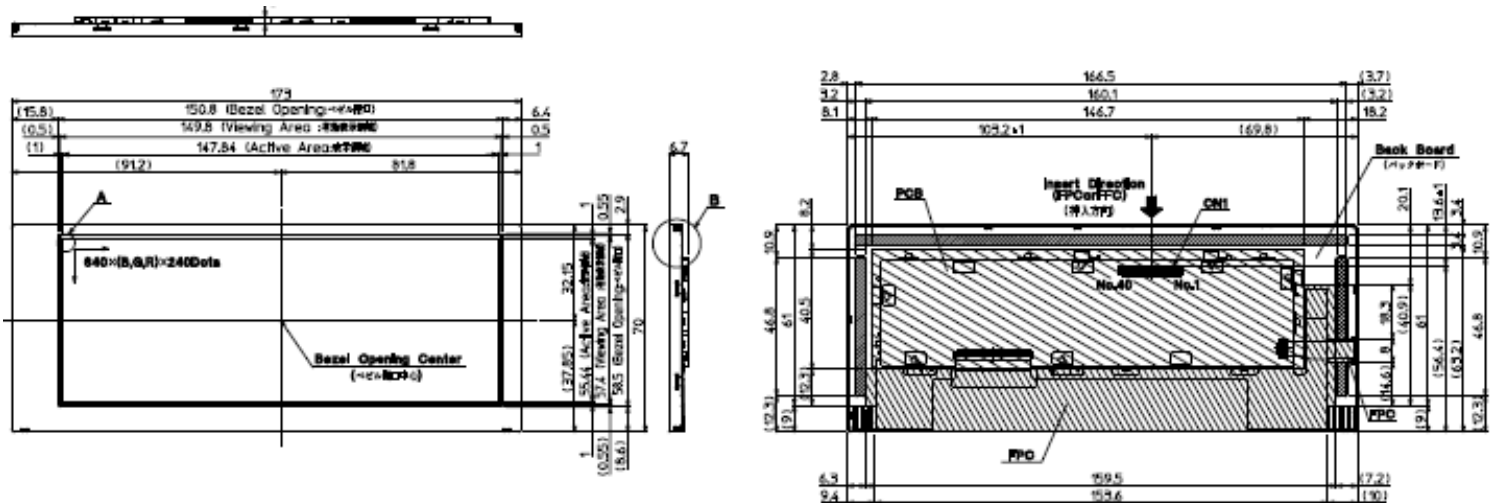
TCG062HVLDA-G20



Kyocera's 6.2-inch diagonal TFT LCD module with HVGA resolution is a unique display for instrumentation applications. It offers a LED backlight with lifetime of 40K hours, a luminance of 300 cd/m² and a 500:1 contrast ratio. A wide viewing angle measuring -80~80° Vertical and +/- 80° Horizontal (at CR ≥ 5). Standard RGB interface and wide operating temperature range.

Item	Specification
Resolution / Pixel Configuration	640 x 240 / RGB Stripe
Outline Dimensions (W x H x D mm)	173 x 70 x 6.7
Active Area (W x H mm)	147.84 x 55.44
Backlight Type /	White LED
Backlight Lifetime (hours)	40,000 hrs (typ.)
Luminance (Cd/m ²)	300 cd/m ²
Contrast Ratio (CR>10)	500:1
Electrical Interface	18-bits RGB
Viewing Angle	H: +/- 80° ; V: -80~80° (CR ≥ 5)
Temperature Range	Operating: -20 ~ 70° C / Storage: -30 ~ 80° C
Special Feature(s)	LED driver built-in

Note: Specifications are subject to change without notice.



Ask us about the Value-Added Program
 Let us attach your chosen touch screen, connector or provide you
 with custom cables to meet your needs

For complete technical specifications, application notes or
 inventory information call 734-416-8500 or visit our web-
 site at www.kyocera-display.com

X-ON Electronics

Largest Supplier of Electrical and Electronic Components

Click to view similar products for [TFT Displays & Accessories category](#):

Click to view products by [Kyocera Display manufacturer](#):

Other Similar products are found below :

[HDA430T-3G1H](#) [NB7W-KBA04](#) [NB5Q-ATT01](#) [NB5Q-KBA04](#) [NB-CN001](#) [OAI-80038AA-2008-A](#) [315-U004B15300](#) [EIC-LCD-1080P](#) [T-55619GD065J-LW-ABN](#) [TCG104SVLPEANN-AN30](#) [NL6448BC20-30D](#) [NL10276BC16-06](#) [NL192108AC10-01D](#) [NL8060BC26-35BA](#) [NL8060BC31-50F](#) [TM070DDHG03-40](#) [PTPW16-070WV1S02](#) [PTPW16-084SV1S02](#) [MTD0300ECP06DF-1](#) [DEM 320240T VMX-PW-N \(A-TOUCH\)](#) [DEM 480128B TMH-PW-N \(A-TOUCH\)](#) [DEM 480272P VMX-PW-N \(C-TOUCH\)](#) [DEM 480272Q VMX-PW-N \(A-TOUCH\)](#) [DEM 480272Q VMX-PW-N \(C-TOUCH\)](#) [DEM 640480E TMH-PW-N \(A-TOUCH\)](#) [DEM 800480K1 TMH-PW-N \(A-TOUCH\)](#) [DEM 800480K1 TMH-PW-N \(C-TOUCH\)](#) [DEM 800480K2 TMH-PW-N \(A-TOUCH\)](#) [DEM 800480K3 TMH-PW-N \(C-TOUCH\)](#) [DEM 800480K4 TMH-PW-N \(A-TOUCH\)](#) [DEM 800480K4 TMH-PW-N \(C-TOUCH\)](#) [4DLCD-35480320-CTP-IPS](#) [4DLCD-35480320-IPS](#) [4DLCD-35480320-RTP-IPS](#) [4DLCD-50800480-CTP-IPS](#) [RFA6400E-AWH-DNG](#) [RFE430V-AZW-DNS](#) [RFF70VA2-1IW-DHS](#) [RFH700A8-AYH-MNN](#) [RFK101VF-1YH-LHG](#) [RFS390C-AIW-DNN](#) [RFS390C-AIW-DNS](#) [RFS52VA-1ZH-DHN](#) [SM-RVT101HVHFWN00](#) [SM-RVT101HVHNWCA0](#) [SM-RVT101HVHNWN00](#) [SM-RVT101HVLFWCA0](#) [SM-RVT101HVLNWCA0](#) [SM-RVT35HHTFWCA0](#) [SM-RVT35HHTNWCA0](#)