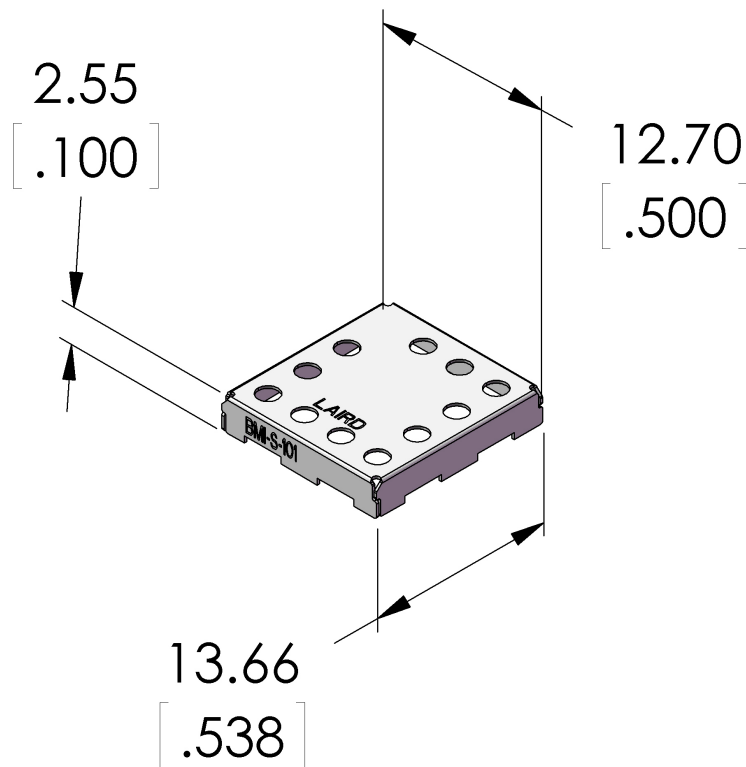




BMI-S-101 ONE PIECE SHIELD



STANDARD SURFACE MOUNT SHIELDS-ONE-PIECE

Standard surface mount shields are available in both one-piece and two-piece designs. One-piece shields offer six sides of protection, with the sixth side being the board itself. One-piece designs offer economical shielding protection where access to covered components is not necessary. There are no tooling costs associated with either the one and/or two-piece design.



Prototyping Available Custom Solutions Standard Stock Samples Available

Specifications

Adhesion Passes Test ASTM B-571	Appearance Passes
Carrier Tape Material LTIMS-LCB	Carrier Tape Pitch 20
Carrier Tape Width 24	Co-planarity (Test LTWI-1119 & ANSI/JSTD-002) 0.1
Cover Tape Material LTIMS-PSA	Dimension (Height - inches) 0.10
Dimension (Height - mm) 2.54	Dimension (Length - inches) 0.54
Dimension (Length - mm) 13.66	Dimension (Width - inches) 0.48
Dimension (Width - mm) 12.10	Material 0.20 mm CRS Tin
Material Thickness 0.2	Packaging EIA-481
Parts Per Reel 1000	Pick-up Spot Diameter 6
Product Line Traditional Single Piece	Reel Diameter 330
Reel Material Plastic	Solderability (Test MIL-STD-202 Method 208) >99
Surface Area 163.1	Surface Mount Solderability (Test ANSI/EIA 638) Passes
Weight 0.4	

X-ON Electronics

Largest Supplier of Electrical and Electronic Components

Click to view similar products for [EMI Gaskets, Sheets, Absorbers & Shielding](#) *category:*

Click to view products by [Laird Performance Materials](#) *manufacturer:*

Other Similar products are found below :

[23-76FSC-SN-24](#) [2-1616323-1](#) [4-1616259-0](#) [3013350A](#) [46J8501020.NN00](#) [3013310A](#) [3013325A](#) [3013308A](#) [3020604](#) [55005106](#) [3021302](#)
[3031313](#) [67SLH050050025PI00](#) [3021310](#) [0137131400](#) [6-34UT-070-BD-16](#) [303076048](#) [46J5N03020.NN00](#) [30206025](#) [260737](#) [30395641](#)
[3030403](#) [3690103020](#) [HNY-LT15CU4241](#) [46X7503020.NN00](#) [46X7501020.NN00](#) [46W5E02520.NN00](#) [46W5E01520.NN00](#) [302095032](#)
[30207032](#) [30210005](#) [46J5N02520.NN00](#) [3021213](#) [3020804](#) [3021004](#) [74273711](#) [74273704](#) [33403](#) [3031210](#) [3031008](#) [3031004](#) [3030903](#)
[30308055](#) [303076016](#) [303045018](#) [303035015](#) [3029564](#) [3025602](#) [3023502](#) [3022303](#)