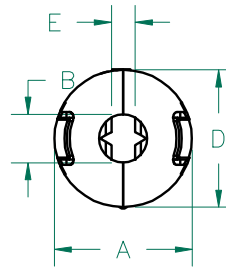
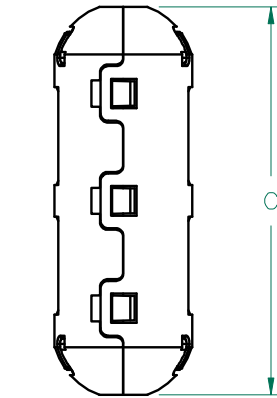
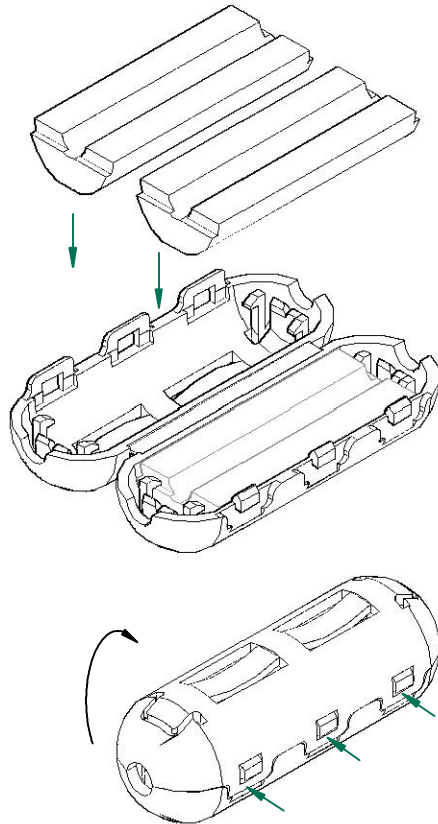
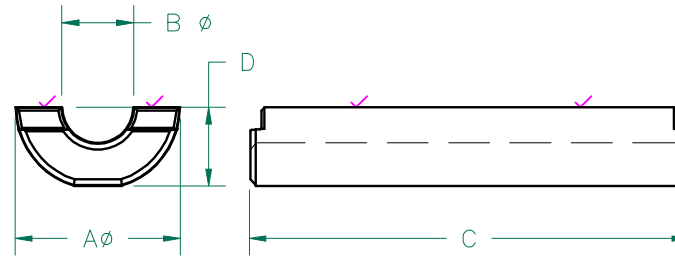


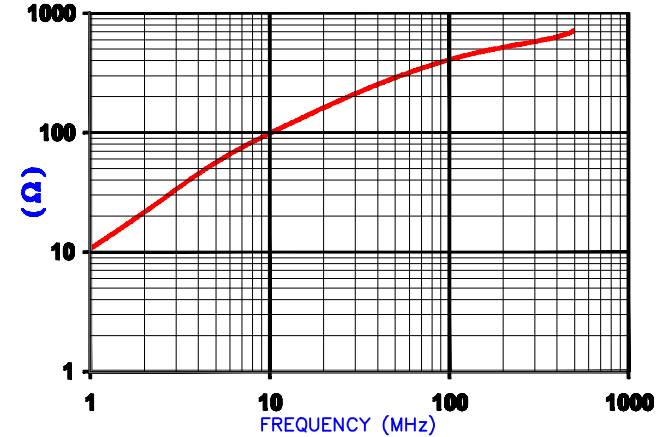
CORE DIMENSIONS

A	15.00 [.591]	+	0.23 [.009]
B	6.55 [.258]	+	0.10 [.004]
C	39.78 [1.566]	+	0.51 [.020]
D	7.16 [.282]	+	0.15 [.006]



IMPEDANCE (Z)			
Frequency	25 MHz	100 MHz	300 MHz
Nominal (REF)	186 Ω	407 Ω	575 Ω
Minimum	- Ω	326 Ω	- Ω

Z vs. FREQUENCY
(REF. ONLY)



AGILENT E4991A Impedance/Material Analyzer
HP 16082A-Test Fixture. TEST REF. 4005

UNCONTROLLED DOCUMENT

NOTES:

1. ASSEMBLED PART #: 28A0593-0A2
2. CASE COLOR: BLACK-0A2.
3. CASE FLAMMABILITY RATING: UL94 V-2.
4. CASE MATERIAL: Halogen Free Nylon

CASE DIMENSIONS:

A	18.75 [.738]	±	0.50 [.020]
B	6.75 [.266]	±	0.35 [.014]
C	52.91 [2.083]	±	0.35 [.014]
D	18.75 [.738]	±	0.35 [.014]
E	3.24 [.128]	±	REF.

DIMENSIONS ARE IN mm [INCHES].				This print is the property of Laird Tech. and is loaned in confidence subject to return upon request and with the understanding that no copies shall be made without the written consent of Laird Tech. All rights to design or invention are reserved.	
J	UPDATED TOLERANCES	08/11/11	Jca1		
H	UPDATED NOTE 3	09/15/10	JUN		
G	ADD NOTES 3 AND 4	01/27/09	JRK		
F	ADD MISSING DIM CALLOUTS "D & E" TO CASE UPDATE COMPANY LOGO	05/07/08	TMB		
E	UPDATE 100MHZ MINIMUM VALUE UPDATE COMPANY LOGO TOLERANCES TO REF VIEWS UPDATE NOTES	06/26/07	TMB	PROJECT/PART NUMBER: 28A0593-0A2	REV: J PART TYPE: FERRITE SNAP-ON DRAWN BY: TMB
D	REV CASE DIM C TO MATCH CASE PRINT	01/11/07	TMB	DATE: 04/28/04	SCALE: N.T.S. MATERIAL: NiZn Ferrite
REV	DESCRIPTION	DATE	INT	CAD # 28A0593-0A2-J	TOOL # -

X-ON Electronics

Largest Supplier of Electrical and Electronic Components

Click to view similar products for [Ferrite Clamp On Cores](#) category:

Click to view products by [Laird](#) manufacturer:

Other Similar products are found below :

[CS28B0984](#) [CS28B1501](#) [CV28B1642](#) [RA33B4340](#) [IL25B0642K](#) [SA28B0121](#) [SS33B2033](#) [HI28B2039](#) [RA33B2480](#) [TC28B0805](#)
[432703037561](#) [CF28B0642](#) [SS33B2035](#) [TC28B2000](#) [CF28B1937](#) [SS20B2037](#) [SS33B2032](#) [TC20B1500](#) [SS25B2032](#) [SS20B2034](#)
[PM28B0686](#) [CW28B0642](#) [CV28B1984](#) [RA20B1729](#) [CS33B4000](#) [TC33B0805](#) [SS33B2040](#) [TC28B1501](#) [AS33B2036](#) [AS25B2032](#)
[TC28B0550](#) [CS25B2000](#) [AS25B2036](#) [AS28B2027](#) [CS33B2000](#) [74271111](#) [74271132](#) [74271132S](#) [74271142](#) [74271222](#) [7427151](#) [74271622S](#)
[RRH-100-50-100](#) [RRH-105-55-200](#) [RRH-115-43-260](#) [RRH-142-70-285](#) [RRH-175-107-285](#) [RRH-186-102-250](#) [RRH-186-102-286](#) [RRH-259-128-286](#)