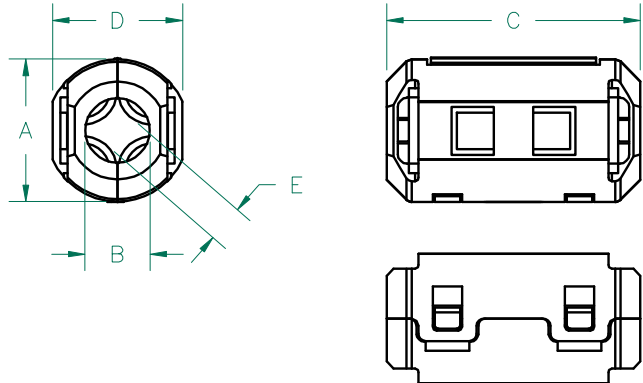


**CORE DIMENSIONS:**

A	16.00 [.630]	+	0.30 [.012]
B	8.00 [.315]	+	0.20 [.008]
C	28.00 [1.102]	+	0.50 [.020]
D	7.50 [.295]	+	0.20 [.008]
E	5.60 [.220]	+	0.30 [.012]

Weight/1000 (Per Pair) 19.98 kgs [44.08 lbs.]

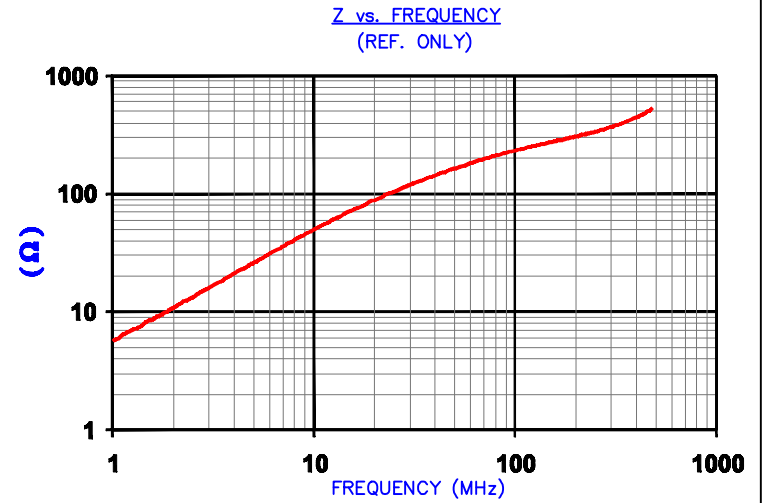


**CASE DIMENSIONS:**

A	19.70 [.776]	±	0.40 [.016]
B	9.00 [.354]	±	0.30 [.012]
C	35.10 [1.382]	+	0.50 [.020]
D	18.00 [.709]	+	0.40 [.016]
E	5.31 [.209]	±	REF.

**UNCONTROLLED DOCUMENT**

IMPEDANCE (Z)			
Frequency	25 MHz	100 MHz	300 MHz
Nominal (REF)	106 Ω	233 Ω	366 Ω
Minimum	- Ω	186 Ω	- Ω



AGILENT E4991A Impedance/Material Analyzer  
HP 16002A-Test Fixture

NOTES:

- CASE FLAMMABILITY RATING: UL94 V-0
- CASE MATERIAL: HALOGEN FREE NYLON
- ASSEMBLED PART #: 28A2738-0A2
- CORE PART #: 28A2738-000
- CASE COLOR: BLACK -"0A2"

DIMENSIONS ARE IN mm [INCHES].				This print is the property of Laird Tech. and is loaned in confidence subject to return upon request and with the understanding that no copies shall be made without the written consent of Laird Tech. All rights to design or invention are reserved.		Laird TECHNOLOGIES				
PROJECT/PART NUMBER:	28A2738-0A2			REV	A	PART TYPE:	FERRITE SNAP-ON	DRAWN BY:	TMB	
DATE:	01/30/09			SCALE:	NTS	MATERIAL:	NiZn Ferrite			
REV	A	DESCRIPTION	ORIGINAL DRAFT	DATE	01/30/09	TMB	CAD #	28A2738-0A2-A		
REV		DESCRIPTION		DATE		INT				

## X-ON Electronics

Largest Supplier of Electrical and Electronic Components

*Click to view similar products for [Ferrite Clamp On Cores](#) category:*

*Click to view products by [Laird](#) manufacturer:*

Other Similar products are found below :

[CS28B0984](#) [CS28B1501](#) [CV28B1642](#) [RA33B4340](#) [IL25B0642K](#) [SA28B0121](#) [SS33B2033](#) [HI28B2039](#) [RA33B2480](#) [TC28B0805](#)  
[432703037561](#) [CF28B0642](#) [SS33B2035](#) [TC28B2000](#) [CF28B1937](#) [SS20B2037](#) [SS33B2032](#) [TC20B1500](#) [SS25B2032](#) [SS20B2034](#)  
[PM28B0686](#) [CW28B0642](#) [CV28B1984](#) [RA20B1729](#) [CS33B4000](#) [TC33B0805](#) [SS33B2040](#) [TC28B1501](#) [AS33B2036](#) [AS25B2032](#)  
[TC28B0550](#) [CS25B2000](#) [AS25B2036](#) [AS28B2027](#) [CS33B2000](#) [74271111](#) [74271132](#) [74271132S](#) [74271142](#) [74271222](#) [7427151](#) [74271622S](#)  
[RRH-100-50-100](#) [RRH-105-55-200](#) [RRH-115-43-260](#) [RRH-142-70-285](#) [RRH-175-107-285](#) [RRH-186-102-250](#) [RRH-186-102-286](#) [RRH-259-128-286](#)