

CORE DIMENSIONS:

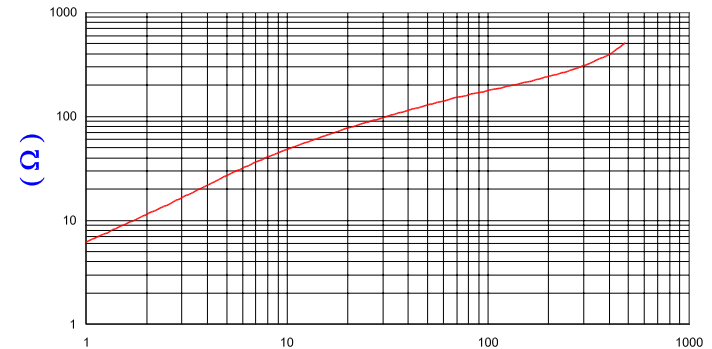
A	20.00 [.787]	+	0.30 [.012]
B	13.00 [.512]	+	0.30 [.012]
C	29.00 [1.142]	+	0.50 [.020]
D	9.50 [.374]	+	0.20 [.008]
E	6.240 [.246]	+	0.30 [.012]

Weight/1000 24.89 kgs 54.88 lbs.
(Per Pair)

UNCONTROLLED DOCUMENT

IMPEDANCE (Z)			
Frequency	25 MHz	100 MHz	300 MHz
Nominal (REF)	86 Ω	177 Ω	305 Ω
Minimum	- Ω	142 Ω	- Ω

Z vs. FREQUENCY
(REF. ONLY)

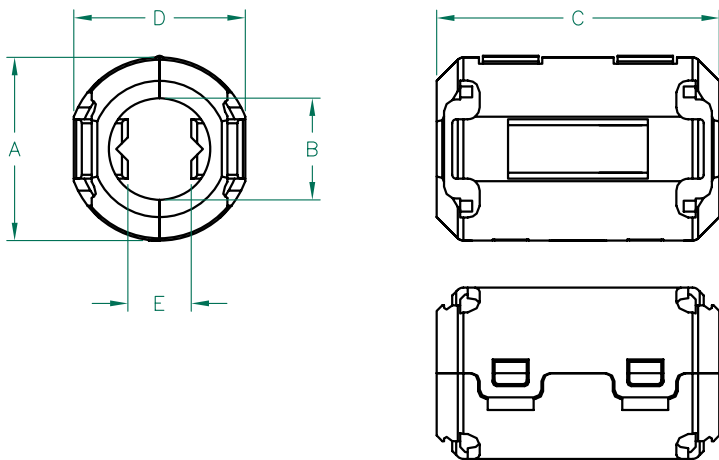


FREQUENCY (MHz)

AGILENT E4991A Impedance/Material Analyzer
HP 16092A-Test Fixture

NOTES:

- CASE FLAMMABILITY RATING: UL94 V-0
- CASE MATERIAL: HALOGEN FREE NYLON
- ASSEMBLED PART #: 28A2913-0A2
- CORE PART #: 28A2913-000
- CASE COLOR: BLACK -"0A2"



CASE DIMENSIONS:

A	23.50 [.925]	+	0.40 [.016]
B	13.06 [.514]	+	0.30 [.012]
C	36.25 [1.427]	+	0.50 [.020]
D	22.00 [.866]	+	0.30 [.012]
E	8.13 [.320]	+	REF.

DIMENSIONS ARE IN mm [INCHES].				This print is the property of Laird Tech. and is loaned in confidence subject to return upon request and with the understanding that no copies shall be made without the written consent of Laird Tech. All rights to design or invention are reserved.		Laird TECHNOLOGIES®	
				PROJECT/PART NUMBER:	REV	PART TYPE:	DRAWN BY:
				28A2913-0A2	B	FERRITE SNAP-ON	TMB
B	CHANGE PLASTIC CASE PLUNGER FROM TAB TO CONVEX FEATURE	04/27/11	JUN	DATE:	SCALE:	NTS	MATERIAL:
A	ORIGINAL DRAFT	11/24/08	TMB	11/24/08	TOOL #	-	NiZn Ferrite
REV	DESCRIPTION	DATE	INT	CAD #	28A2913-0A2-B		

X-ON Electronics

Largest Supplier of Electrical and Electronic Components

Click to view similar products for [Ferrite Clamp On Cores](#) category:

Click to view products by [Laird](#) manufacturer:

Other Similar products are found below :

[CS28B0984](#) [CS28B1501](#) [CV28B1642](#) [RA33B4340](#) [IL25B0642K](#) [SA28B0121](#) [SS33B2033](#) [HI28B2039](#) [RA33B2480](#) [TC28B0805](#)
[432703037561](#) [CF28B0642](#) [SS33B2035](#) [TC28B2000](#) [CF28B1937](#) [SS20B2037](#) [SS33B2032](#) [TC20B1500](#) [SS25B2032](#) [SS20B2034](#)
[PM28B0686](#) [CW28B0642](#) [CV28B1984](#) [RA20B1729](#) [CS33B4000](#) [TC33B0805](#) [SS33B2040](#) [TC28B1501](#) [AS33B2036](#) [AS25B2032](#)
[TC28B0550](#) [CS25B2000](#) [AS25B2036](#) [AS28B2027](#) [CS33B2000](#) [74271111](#) [74271132](#) [74271132S](#) [74271142](#) [74271222](#) [7427151](#) [74271622S](#)
[RRH-100-50-100](#) [RRH-105-55-200](#) [RRH-115-43-260](#) [RRH-142-70-285](#) [RRH-175-107-285](#) [RRH-186-102-250](#) [RRH-186-102-286](#) [RRH-259-128-286](#)