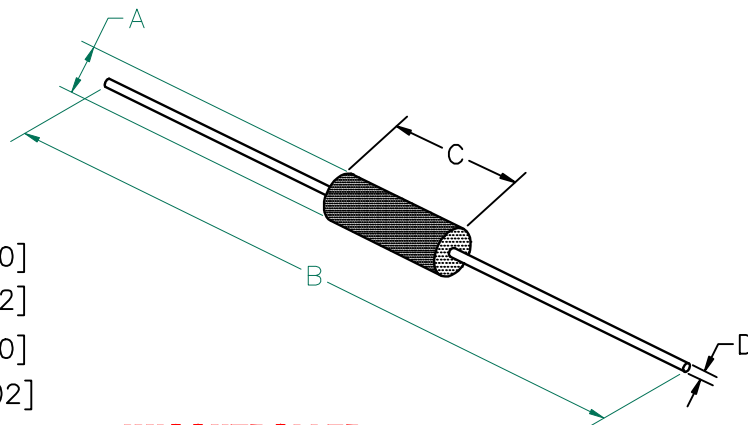


28L0138-40R-10



| ELECTRICAL CHARACTERISTICS: | | | | |
|-----------------------------|------------------|--------|------------------|---------------|
| | Z (Ω) @ | | DCR (Ω) | Rated Current |
| | 25 MHz | 100MHz | | |
| Nominal | 99 | 135 | | |
| Minimum | - | 101 | | |
| Maximum | - | 169 | 0.01 | 5,000 mA |

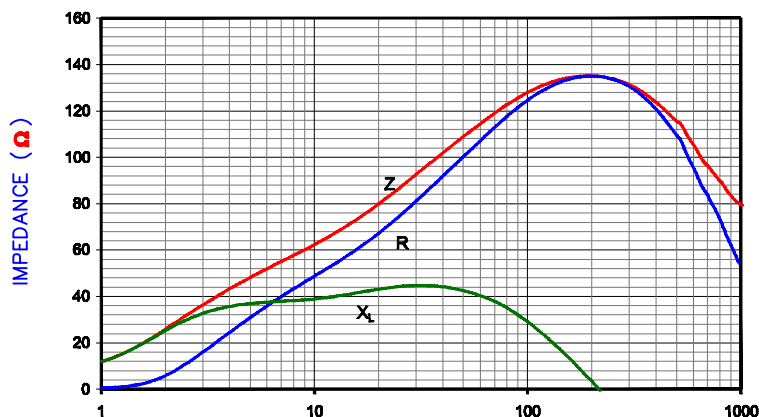
PHYSICAL DIMENSIONS:

| | | |
|---|--------------|-------------------|
| A | 3.51 [.138] | \pm 0.25 [.010] |
| B | 59.00 [2.32] | \pm 1.57 [.062] |
| C | 8.89 [.350] | \pm 0.51 [.020] |
| D | 0.64 [.025] | \pm 0.05 [.002] |

UNCONTROLLED DOCUMENT



|Z|, R, AND X vs. FREQUENCY



Z **R** **X_L**

NOTES: UNLESS OTHERWISE SPECIFIED

1. TAPED AND REELED per CURRENT EIA SPECIFICATIONS 14" REELS, 4500 PCS/REEL.
2. COMPONENTS SHOULD BE ADEQUATELY PREHEATED BEFORE SOLDERING.
3. WIRE: C10200 OXYGEN FREE COPPER (99.95 MIN.) 22AWG (.025 DIA.)
4. PLATING: 100% TIN $5\mu \pm 2\mu$ [200 $\mu\text{in} \pm 80\mu\text{in}$]
5. WEIGHT/1000: .411 kgs. .905 lbs.
6. REFERENCE STEWARD CORE P/N 28B0138-*00.

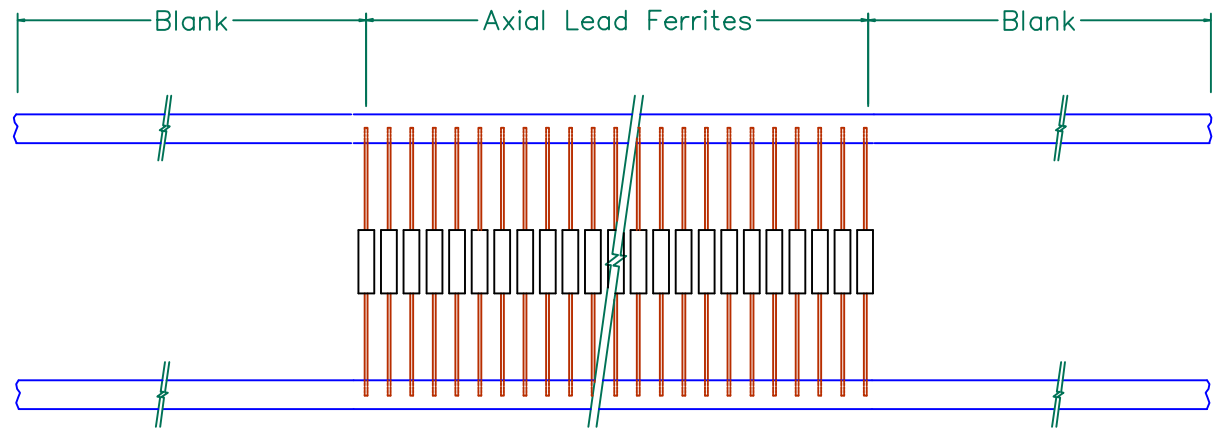
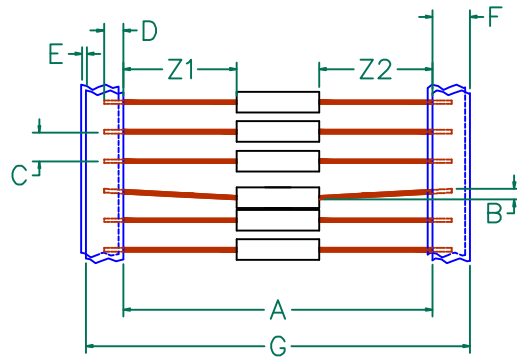
| DIMENSIONS ARE IN mm (INCHES). | | | | This print is the property of Laird Tech. and is loaned in confidence subject to return upon request and with the understanding that no copies shall be made without the written consent of Laird Tech. All rights to design or invention are reserved. | |
|--------------------------------|--|----------|-----|---|---|
| J | UPDATE COMPANY LOGO | 01/06/09 | JRK | PROJECT/PART NUMBER: 28L0138-40R-10 | REV: J PART TYPE: ASSEMBLY DRAWN BY: DTR |
| H | ADD ROHS SYMB. UPDATE COMPANY LOGO | 04/20/07 | JRK | | |
| G | CHANGE P/N (ADD -10) CHG NOTE 3 ADD NO LEAD SYMBOL, CORRECT WEIGHT | 10/14/03 | JRK | | |
| F | UPDATE FORMAT, CHG RATED CURRENT FROM 10,000 ADDED NOTES | 10/11/01 | JRK | | |
| E | ADDED (*NOTE&DIM) ON SHT3OF4 CORRECTED DIM D ON SHEET 2OF4 | 10/13/98 | DTR | | |
| D | CHANGE DIM. "G" ON THE TAPE & MODIFIED THE DIMENSIONS ON THE REEL | 07/15/98 | DTR | DATE: 06/30/98 | SCALE: NTS SHEET: 2 of 3 |
| REV | DESCRIPTION | DATE | INT | CAD # | TOOL # B0138 |
| | | | | 28L0138-40R-10-J-2 | |





28L0138-40R-10

UNCONTROLLED DOCUMENT

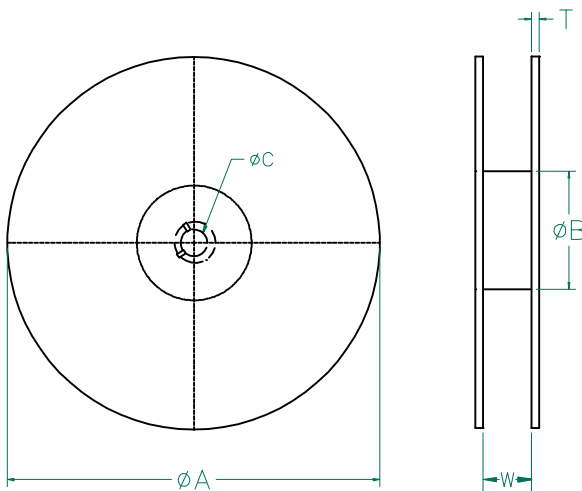


| | | |
|------|--------------|---------------|
| A | 52.4 [2.06] | ± 1.50 [.059] |
| B | 1.19 [.047] | MAX. |
| C | 5.00 [.197] | ± 0.51 [.020] |
| D | 3.18 [.125] | TYP. |
| E | 0.81 [.032] | MAX. |
| F | 6.35 [.250] | ± 0.41 [.016] |
| G | 65.1 [2.56] | TYP. |
| * Z1 | 21.72 [.855] | TYP. |
| Z2 | 21.72 [.855] | TYP. |



* REF. EIA 296 E "LEAD TAPING OF COMPONENTS IN AXIAL LEAD CONFIGURATION FOR AUTOMATIC HANDLING".

NO MORE THAN 1.40 [.055] DIFFERENCE BETWEEN Z1 & Z2



| | |
|---|-------------------------------|
| A | 355.6 ± 2.0 [14.00 ± .078] |
| B | 77.47 ± 1.0 [3.05 ± .039] |
| C | 15.88 ± 0.5 [.625 ± .020] |
| W | 71.1 ± 1.0 [2.80 ± .039] |
| T | 2.16 [.085] |

UNIT MEASUREMENT:
mm / inches

| DIMENSIONS ARE IN mm (INCHES). | | | | This print is the property of Laird Tech. and is loaned in confidence subject to return upon request and with the understanding that no copies shall be made without the written consent of Laird Tech. All rights to design or invention are reserved. | |
|--------------------------------|--|----------|-----|---|--|
| J | UPDATE COMPANY LOGO | 01/06/09 | JRK | PROJECT/PART NUMBER: 28L0138-40R-10 | REV J PART TYPE: ASSEMBLY DRAWN BY: DTR |
| H | ADD ROHS SYMB. UPDATE COMPANY LOGO | 04/20/07 | JRK | | |
| G | CHANGE P/N (ADD -10) CHG NOTE 3 ADD NO LEAD SYMBOL, CORRECT WEIGHT | 10/14/03 | JRK | | |
| F | UPDATE FORMAT, CHG RATED CURRENT FROM 10,000 ADDED NOTES | 10/11/01 | JRK | | |
| E | ADDED (*NOTE&DIM) ON SHT30F4 CORRECTED DIM D ON SHEET 20F4 | 10/13/98 | DTR | | |
| D | CHANGE DIM. "G" ON THE TAPE & MODIFIED THE DIMENSIONS ON THE REEL | 07/15/98 | DTR | DATE: 06/30/98 | SCALE: NTS SHEET: 3 of 3 |
| REV | DESCRIPTION | DATE | INT | CAD # | TOOL # B0138 |
| | | | | 28L0138-40R-10-J-3 | |

X-ON Electronics

Largest Supplier of Electrical and Electronic Components

Click to view similar products for [EMI Feedthrough Filters](#) category:

Click to view products by [Laird](#) manufacturer:

Other Similar products are found below :

[M15733/28-0001](#) [FN7660-100-M8](#) [FN7660-200-M10](#) [2443-007-X5S0-102MLF](#) [2443-007-X5W0-502ZLF](#) [2463-001-X5S0-471MLF](#) [SCI-9925-303](#) [1609992-3](#) [1609993-1](#) [FN7510-100-M8](#) [FN7510-32-M4](#) [FN7511-200-M10](#) [FN7562-100-M8](#) [FN7562-200-M10](#) [FN7563-100-M8](#) [FN7611-10-M3](#) [2450-000-X5U0-102PLF](#) [2499-003-X5S0-152MLF](#) [4201-050](#) [4202-025](#) [4251-001LF](#) [4253-002LF](#) [4300-031](#) [4305-001LF](#) [4305-008LF](#) [4306-019LF](#) [4600-072LF](#) [4403-060](#) [4600-067](#) [100AFC6-G](#) [10AFC6-B](#) [1-1609990-7](#) [1-1609990-1](#) [FN7510-16-M4](#) [FN7514-32-M4](#) [FN7611-32-M4](#) [FN7660-10-M3](#) [SXD1A3-251](#) [4206-502](#) [M15733/62-0002](#) [4306-011LF](#) [4201-502](#) [4401-011LF](#) [4300-314-2](#) [4251-002LF](#) [4305-005LF](#) [2461-002-X7V0-102MLF](#) [4201-051LF](#) [4403-005](#) [4311-000LF](#)