

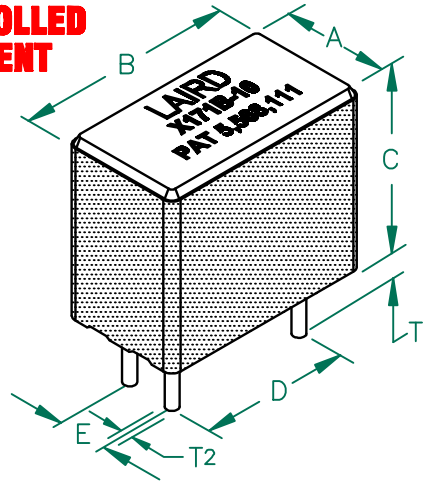
CM2545X171B-10



PHYSICAL DIMENSIONS:

A	6.30	[.248]	±	0.10	[.004]
B	11.38	[.448]	±	0.18	[.007]
C	9.32	[.367]	±	0.18	[.007]
D	7.62	[.300]	±	0.10	[.004]
E	2.54	[.100]	±	0.13	[.005]
T ₁	3.43	[.135]	±	0.25	[.010]
T ₂	0.64	[.025]	±	TYP.	

UNCONTROLLED DOCUMENT

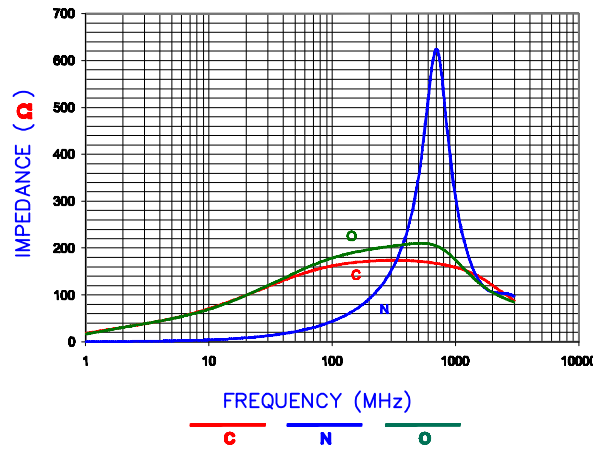


ELECTRICAL CHARACTERISTICS:

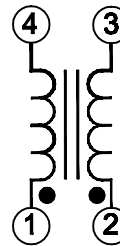
Z @ 100MHz (Ω)	DCR (Ω)	Rated Current
Nominal	170	
Minimum	128	
Maximum	212	10,000 mA

- NOTES: UNLESS OTHERWISE SPECIFIED
1. BULK PACKED, 1260 per CASE.
 2. COMPONENTS SHOULD BE ADEQUATELY PREHEATED BEFORE SOLDERING.
 3. TERMINATION FINISH IS 100% TIN.
 4. THIS PART HAS NO PIN POLARITY.

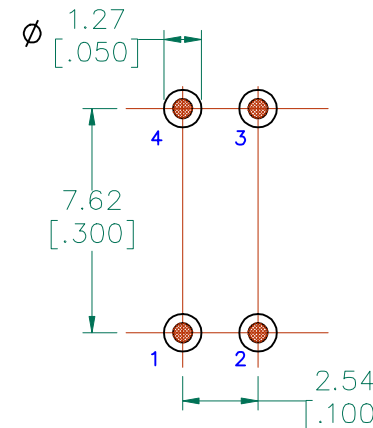
Z vs. FREQUENCY (C,O,N)



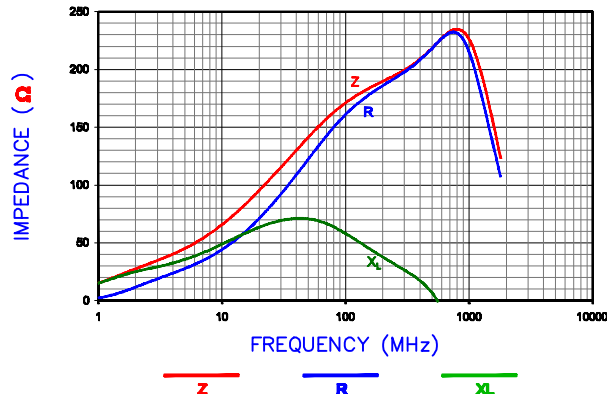
EQUIVALENT CIRCUIT



HOLE PATTERN FOR WAVE SOLDERING

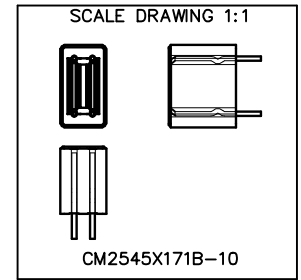
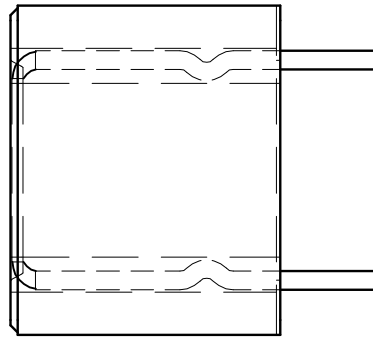
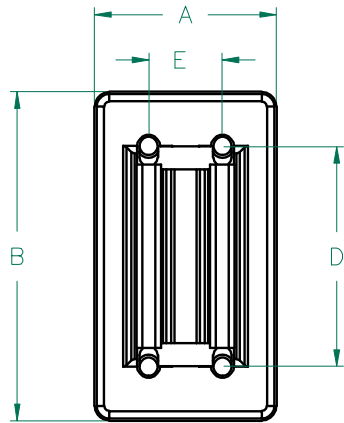


Z, R, XL vs. FREQUENCY



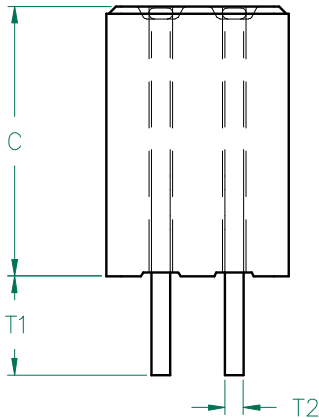
DIMENSIONS ARE IN mm [INCHES]				This print is the property of Laird Tech. and is loaned in confidence subject to return upon request and with the understanding that no copies shall be made without the written consent of Laird Tech. All rights to design or invention are reserved.			
C	UPDATE COMPANY LOGO UPDATE ROHS SYMBOL AND KAPTON LABEL ADD EC	11/05/08	JRK	PROJECT/PART NUMBER:	CM2545X171B-10	REV	C
B	UPDATE COMPANY LOGO	05/17/07	JRK	DATE:	5/26/04	SCALE:	NTS
A	ORIGINAL DRAFT	5/26/04	JRK	CAD #	CM2545X171B-10-C-2	TOOL #	H0249-600
REV	DESCRIPTION	DATE					SHEET: 2 of 3





ELECTRICAL TESTING

TEST:	GROSS	GROSS
	Z	Z
# TURNS	1	1
AWG	22	22
FREQUENCY	25 MHz	100 MHz
NOMINAL	96 Ω	170 Ω
MINIMUM	- Ω	128 Ω
MAXIMUM	- Ω	212 Ω
WEIGHT/1000	2.94 kgs.	6.48 lbs.



UNCONTROLLED DOCUMENT



NOTES: UNLESS OTHERWISE SPECIFIED

1. WIRE: REFERENCE STEWARD WIRE PURCHASE SPEC. W0448-61.
2. IMPEDANCE VALUES ARE GROSS, MEASURED USING W0448 WIRE PLACED AGAINST END OF SLOT w/ NO D.C. BIAS.
3. REFERENCE STEWARD CORE P/N 29H0248-600.
4. PROTECTED BY U.S. PATENT NO. 5,568,111.
5. TERMINATION FINISH IS 100% TIN.
6. THIS PART HAS NO PIN POLARITY.

DIMENSIONS:

A	6.30 [.248]	+	0.10 [.004]
B	11.38 [.448]	+	0.18 [.007]
C	9.32 [.367]	+	0.18 [.007]
D	7.62 [.300]	+	0.10 [.004]
E	2.54 [.100]	+	0.13 [.005]

WIRE DIMENSIONS:

T1	3.43 [.135]	+	0.25 [.010]
T2	0.64 [.025]	+	TYP.

DIMENSIONS ARE IN INCHES (mm).

This print is the property of Laird Tech. and is loaned in confidence subject to return upon request and with the understanding that no copies shall be made without the written consent of Laird Tech. All rights to design or invention are reserved.



REV	DESCRIPTION	DATE	INT	PROJECT/PART NUMBER:	REV	DRAWN BY:
C	UPDATE COMPANY LOGO UPDATE ROHS SYMBOL AND KAPTON LABEL ADD EC	11/05/08	JRK	CM2545X171B-10	C	JRK
B	UPDATE COMPANY LOGO	05/17/07	JRK	DATE: 05/26/04	SCALE: 4 : 1	SHEET:
A	ORIGINAL DRAFT	05/26/04	JRK	CAD # CM2545X171B-10-C-3	TOOL # H0248-600	3 of 3

X-ON Electronics

Largest Supplier of Electrical and Electronic Components

Click to view similar products for [Common Mode Chokes / Filters](#) category:

Click to view products by [Laird](#) manufacturer:

Other Similar products are found below :

[PE-64683](#) [RD5122-6-9M6](#) [RGCMF1210900H3T](#) [ST6118T-R](#) [FE3X025-10-7NL](#) [T8114NLT](#) [TCM0806G-350-2P-T](#) [TCM0806G-650-2P-T](#)
[IND-0110](#) [UAL21VR0802000](#) [UALSC023000000](#) [UALSC1020JH000](#) [UALSU10VR15019](#) [UALSU9VD070100](#) [36-00037](#) [5701610000](#)
[UALW21HS072450](#) [UALSU9HF050500](#) [UALSU9H0208000](#) [UAL24VK06450CH](#) [PLT10HH501100PNB](#) [PLT10HH401100PNB](#)
[PLT10HH1026R0PNB](#) [PE-67531](#) [TLH10UB](#) [113 OR5](#) [2752045447](#) [CM8663Z161B-10](#) [7351V](#) [CMF16-153131](#) [T8116NLT](#) [CMS2-10-R](#)
[FE2X10-4-2NL](#) [T8003NLT](#) [CTX66-19521-R](#) [RC212-0.5-10M](#) [RC112-0.4-15M](#) [RC212-0.6-6M8](#) [RC212-0.4-15M](#) [RC112-0.3-30M](#) [4534-3](#)
[WTCTF2012Z0M751PB](#) [PH9408.814NLT](#) [B82498B3221J000](#) [PAC6006.364NLT](#) [PAC6006.444NLT](#) [PAC6006.204NLT](#) [PH9407.204NLT](#)
[PAC6006.264NLT](#) [PH9408.105NLT](#) [PH9408.494NLT](#)