

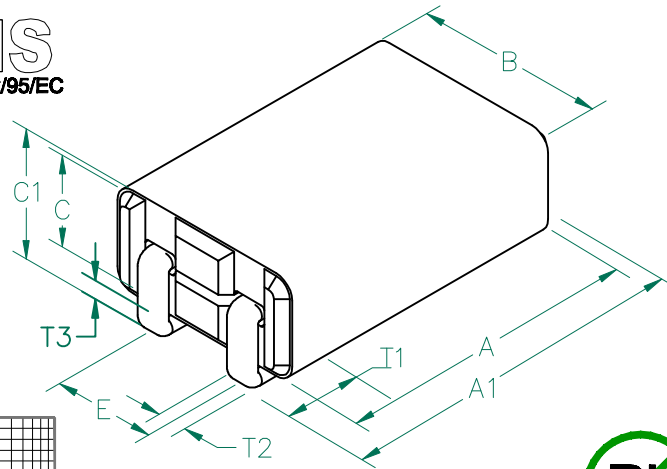
**PHYSICAL DIMENSIONS:**

A	8.68 [.342]	± 0.25 [.010]
A1	9.55 [.376]	MAX
B	5.60 [.220]	± 0.10 [.004]
C	2.85 [.112]	± 0.07 [.003]
C1	3.80 [.150]	± MAX.
E	2.84 [.112]	± 0.10 [.004]

**WIRE DIMENSIONS:**

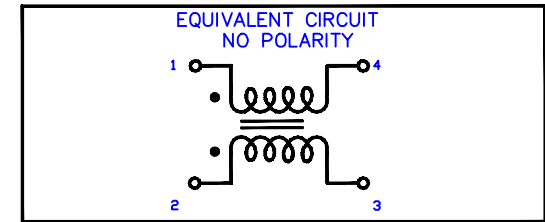
T1	1.75 [.069]	± 0.25 [.010]
T2	0.81 [.032]	REF.
T3	0.43 [.017]	REF.

# CM3421Y600R-10

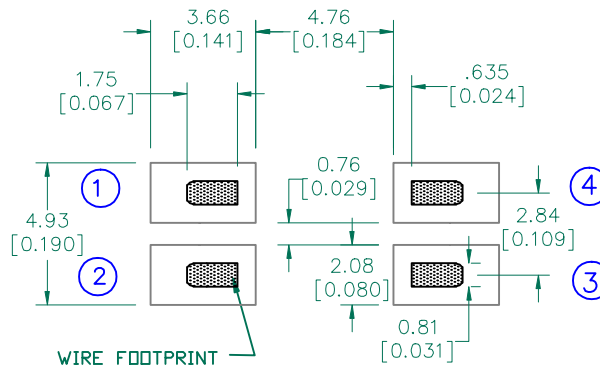


ELECTRICAL CHARACTERISTICS:				
	Z in (Ω)	DCR (Ω)	Rated Current (Continuous)	Rated Voltage (VDC)
Nominal (Ref.)	60			
Minimum	45			
Maximum	—	.00075	15,000 mA	140

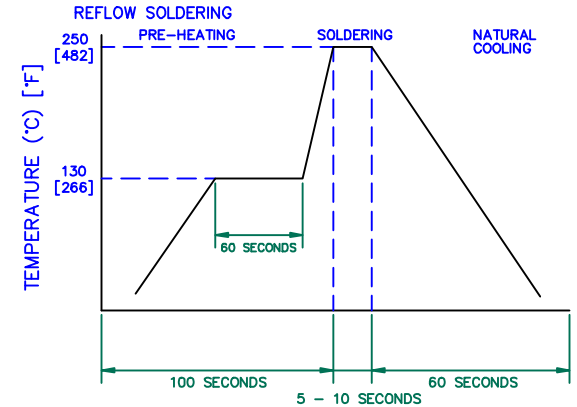
- NOTES: UNLESS OTHERWISE SPECIFIED
1. TAPED AND REELED per CURRENT EIA SPECS. 13" REELS, 2000 PCS PER REEL
  2. COMPONENTS SHOULD BE ADEQUATELY PREHEATED BEFORE SOLDERING.
  3. REF.CARRIER TAPE SPECIFICATION CART3421-1P.
  4. THIS PART HAS NO PIN POLARITY.
  5. TERMINATION FINISH IS 100% TIN.
  6. OPERATION TEMPERATURE (INCLUDING SELF-HEATING): -40 ~ +125°C.



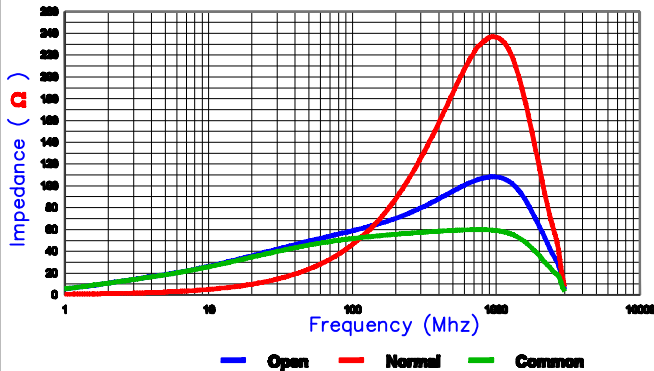
**LAND PATTERNS FOR REFLOW SOLDERING**



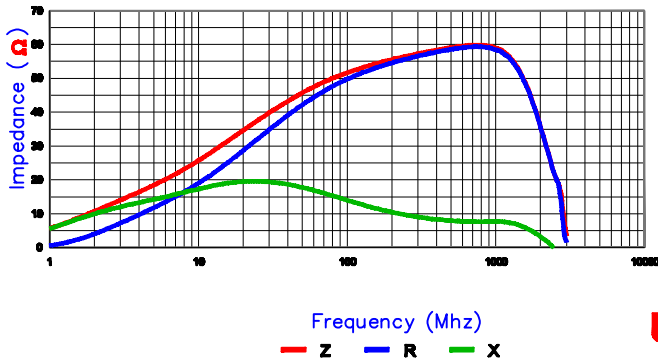
**RECOMMENDED SOLDERING CONDITIONS**



Z vs. Frequency ( C, N, O)

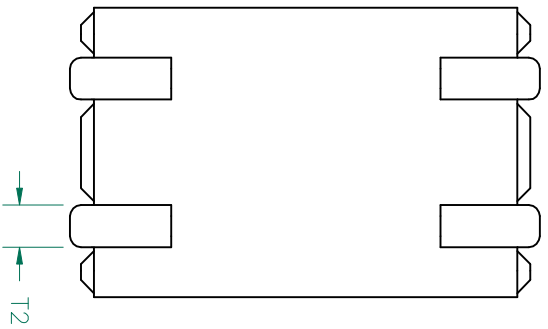
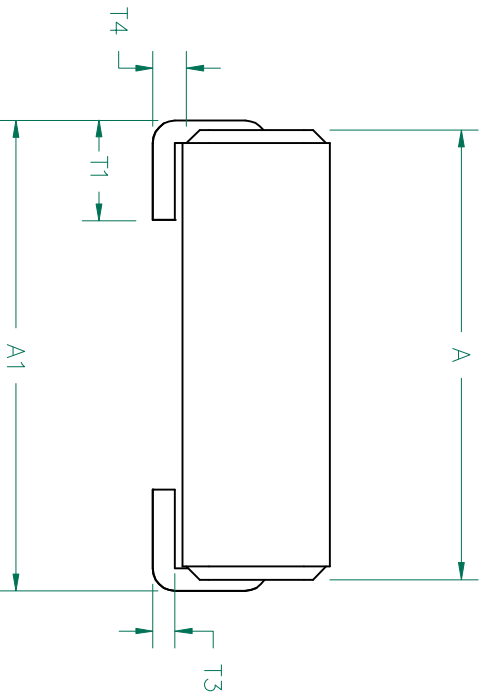
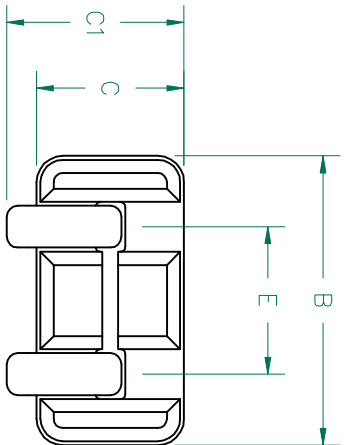


Z, R, X vs. Frequency COMMON MODE



**UNCONTROLLED DOCUMENT**

DIMENSIONS ARE IN mm [INCHES].				This print is the property of Laird Tech. and is loaned in confidence subject to return upon request and with the understanding that no copies shall be made without the written consent of Laird Tech. All rights to design or invention are reserved.			
I	ADD RATED VOLTAGE AND NOTE 6	08/30/12	QUI				
H	UPDATE NOTES 1 & 2	09/08/09	JRK				
G	UPDATE COMPANY LOGO	03/02/09	JRK				
F	ADD T2 DIMENSION TO ISO VIEW	11/28/07	JRK				
E	UPDATE COMPANY LOGO	03/30/06	JRK				
INTERCHANGE DIMENSIONS A,B&C				PROJECT/PART NUMBER:	REV	PART TYPE:	DRAWN BY:
ADD EQUIVALENT CIRCUIT, REFLOW CHART				CM3421Y600R-10	I	ASSEMBLY	JRK
D	UPDATE BOTH CURVES ADD NEW TEST REF #	02/02/06	JRK	DATE:	07/27/05	SCALE:	7 : 1
REV	DESCRIPTION	DATE	INT	GAD #	CM3421Y600R-10-I-2	TOOL #	H0220
						SHEET:	2 of 3



**ELECTRICAL TESTING**

TEST:	2
# TURNS	1
AWG	-
FREQUENCY	100 MHZ
NOMINAL (REF.)	33 Ω
MINIMUM	25 Ω

CORE WEIGHT/1000 .583 kgs. 1.286 Lbs.



**UNCONTROLLED DOCUMENT**



**NOTES: UNLESS OTHERWISE SPECIFIED**

1. IMPEDANCE VALUES ARE GROSS, MEASURED USING W2021-11 WIRE w/ NO D.C. BIAS.
2. REFERENCE STEWARD WIRE PURCHASE SPEC. W0021-11.
3. REFERENCE STEWARD CORE P/N 24H0220-110.
4. TERMINATION FINISH IS 100% TIN.

**DIMENSIONS:**

A	8.68 [.342]	±	0.25 [.010]
A1	9.55 [.376]		MAX
B	5.60 [.220]	±	0.10 [.004]
C	2.85 [.112]	±	0.07 [.003]
C1	3.80 [.150]		MAX.
E	2.84 [.112]	+	0.10 [.004]

**WIRE DIMENSIONS:**

T <sub>1</sub>	1.75 [.069]	+	0.25 [.010]
T <sub>2</sub>	0.81 [.032]	+	REF.
T <sub>3</sub>	0.43 [.017]	+	REF.
T <sub>4</sub>	0.86 [.034]	+	MAX.

DIMENSIONS ARE IN mm [INCHES].

This print is the property of Laird Tech. and is loaned in confidence subject to return upon request and with the understanding that no copies shall be made without the written consent of Laird Tech. All rights to design or invention are reserved.			
<b>ADD RATED VOLTAGE AND NOTE 6</b> UPDATE NOTES 1 & 2 ADD T2 DIMENSION TO ISO VIEW UPDATE COMPANY LOGO INTERCHANGE DIMENSIONS A,B&C ADD EQUIVALENT CIRCUIT, REFLOW CHART UPDATE BOTH CURVES ADD NEW TEST REF #	08/30/12 09/08/09 03/02/09 11/28/07 03/30/06 02/02/06	QJ JJK JJK JJK JJK JJK	REV: 1 PART TYPE: ASSEMBLY DRAWN BY: JJK
PROJECT/PART NUMBER: <b>CM3421Y600R-10</b>	DATE: 07/27/05	SCALE: 7 : 1	SHEET: 3 of 3
CAD # CM3421Y600R-10-1-3	TOOL # H0220		

## X-ON Electronics

Largest Supplier of Electrical and Electronic Components

*Click to view similar products for [Common Mode Chokes / Filters](#) category:*

*Click to view products by [Laird](#) manufacturer:*

Other Similar products are found below :

[PE-64683](#) [RD5122-6-9M6](#) [RGCMF1210900H3T](#) [ST6118T-R](#) [FE3X025-10-7NL](#) [T8114NLT](#) [TCM0806G-350-2P-T](#) [TCM0806G-650-2P-T](#)  
[IND-0110](#) [UAL21VR0802000](#) [UALSC023000000](#) [UALSC1020JH000](#) [UALSU10VR15019](#) [UALSU9VD070100](#) [36-00037](#) [5701610000](#)  
[UALW21HS072450](#) [UALSU9HF050500](#) [UALSU9H0208000](#) [UAL24VK06450CH](#) [PLT10HH501100PNB](#) [PLT10HH401100PNB](#)  
[PLT10HH1026R0PNB](#) [PE-67531](#) [TLH10UB](#) [113 OR5](#) [2752045447](#) [CM8663Z161B-10](#) [7351V](#) [CMF16-153131](#) [T8116NLT](#) [CMS2-10-R](#)  
[FE2X10-4-2NL](#) [T8003NLT](#) [CTX66-19521-R](#) [RC212-0.5-10M](#) [RC112-0.4-15M](#) [RC212-0.6-6M8](#) [RC212-0.4-15M](#) [RC112-0.3-30M](#) [4534-3](#)  
[WTCF2012Z0M751PB](#) [PH9408.814NLT](#) [B82498B3221J000](#) [PAC6006.364NLT](#) [PAC6006.444NLT](#) [PAC6006.204NLT](#) [PH9407.204NLT](#)  
[PAC6006.264NLT](#) [PH9408.105NLT](#) [PH9408.494NLT](#)