

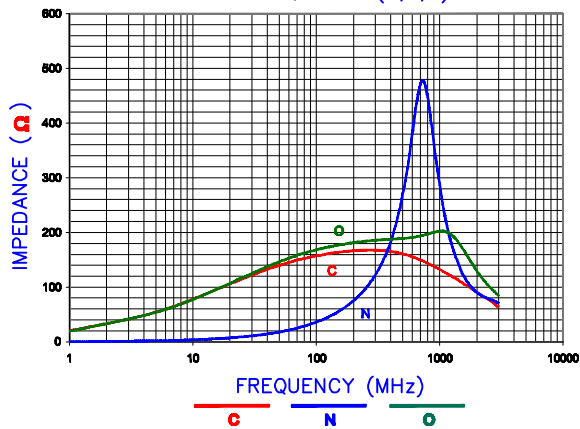
**PHYSICAL DIMENSIONS:**

A	8.51	[.335]	+ 0.13	[.005]
B	10.03	[.395]	+ 0.15	[.006]
B <sub>1</sub>	11.05	[.435]	MAX	
C	9.32	[.367]	+ 0.15	[.006]
C <sub>1</sub>	10.49	[.413]	MAX.	
D	4.06	[.160]	+ 0.13	[.005]
E	2.54	[.100]	+ 0.13	[.005]

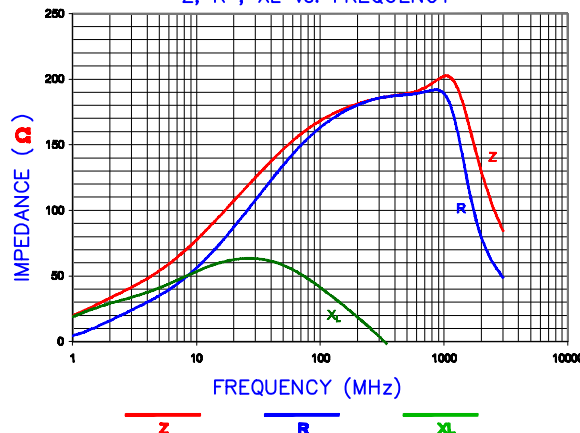
**WIRE:**

T <sub>1</sub>	3.56	[.140]	+ 0.25	[.010]
T <sub>2</sub>	0.76	[.030]	TYP.	
T <sub>3</sub>	0.76	[.030]	TYP.	

Z vs. FREQUENCY (C,O,N)

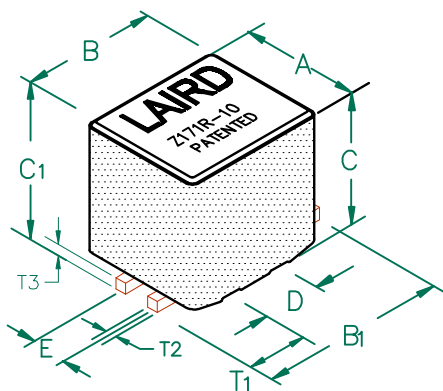


Z, R, XL vs. FREQUENCY



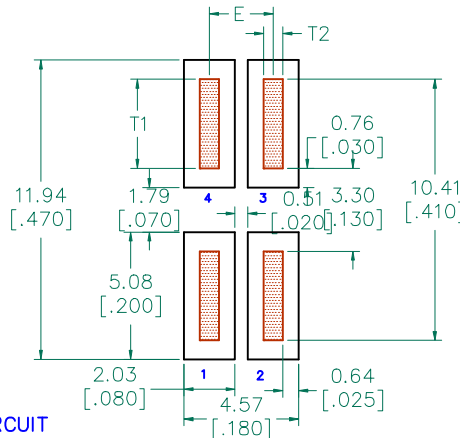
AGILENT E4991A RF Impedance/Material Analyzer  
HP 16194A Test Fixture. TEST REF. 3007

# CM3440Z171R-10

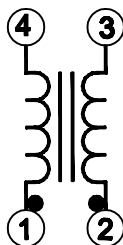


**UNCONTROLLED DOCUMENT**

**LAND PATTERNS FOR REFLOW SOLDERING**



**EQUIVALENT CIRCUIT**



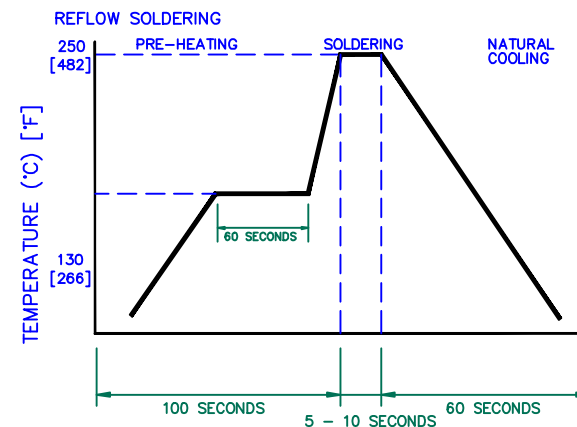
**ELECTRICAL CHARACTERISTICS:**

	Z @ 100MHz (Ω)	DCR (Ω)	Rated Current	Rated Voltage (VDC)
Nominal	170			
Minimum	128			
Maximum	-	0.001	20,000 mA	100

NOTES: UNLESS OTHERWISE SPECIFIED

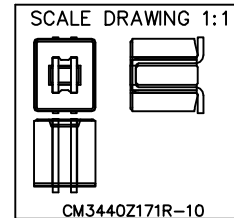
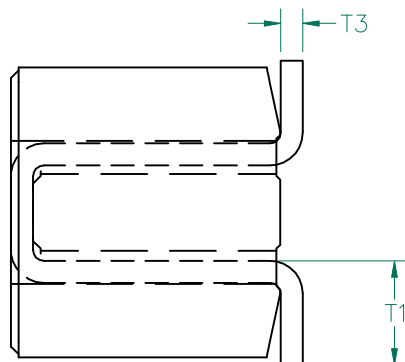
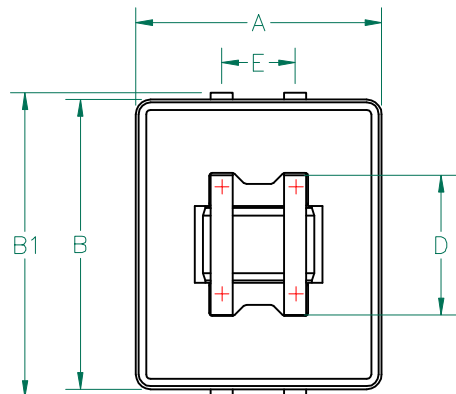
1. TAPED AND REELED per CURRENT EIA SPECIFICATIONS 13" REELS, 375 PCS/REEL.
2. COMPONENTS SHOULD BE ADEQUATELY PREHEATED BEFORE SOLDERING.
3. REF. CARRIER TAPE SPECIFICATION CART3440-6P.
4. TERMINATION FINISH IS 100% TIN.
5. THIS PART HAS NO PIN POLARITY.
6. OPERATION TEMPERATURE (INCLUDING SELF-HEATING): -40 ~ +125°C.

**RECOMMENDED SOLDERING CONDITIONS**



DIMENSIONS ARE IN mm (INCHES).				This print is the property of Laird Tech. and is loaned in confidence subject to return upon request and with the understanding that no copies shall be made without the written consent of Laird Tech. All rights to design or invention are reserved.	
D	ADD RATED VOLTAGE AND NOTE 6	08/30/12	QIU	PROJECT/PART NUMBER: <b>CM3440Z171R-10</b>	
C	UPDATE COMPANY LOGO & KAPTON LABEL ADD EQUIVALENT CIRCUIT	11/18/08	JRK		
B	UPDATE COMPANY LOGO	11/28/07	JRK	DATE: 5/27/04	SCALE: NTS
A	ORIGINAL DRAFT	5/27/04	JRK	CAD #	SHEET: 2 of 3
REV	DESCRIPTION	DATE	INT	CM3440Z171R-10-D-2	TOOL # H0335



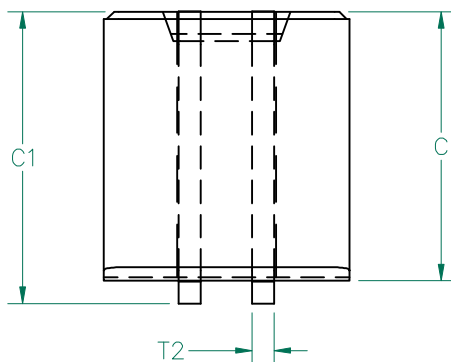


CM3440Z171R-10

**ELECTRICAL TESTING**

	GROSS	GROSS
TEST:	Z	Z
# TURNS	1	1
AWG	22	22
FREQUENCY	25 MHz	100 MHz
NOMINAL	- Ω	170 Ω
MINIMUM	- Ω	128 Ω
WEIGHT/1000	3.51 kgs.	7.73 lbs.

**UNCONTROLLED DOCUMENT**



0.10 (.004)  
SEATING PLANE  
(CO-PLANARITY)

**DIMENSIONS:**

A	8.51 [.335]	+ 0.13 [.005]
B	10.03 [.395]	+ 0.15 [.006]
B <sub>1</sub>	11.05 [.435]	MAX
C	9.32 [.367]	+ 0.15 [.006]
C <sub>1</sub>	10.49 [.413]	MAX.
D	4.06 [.160]	+ 0.13 [.005]
E	2.54 [.100]	+ 0.13 [.005]

**WIRE DIMENSIONS:**

T <sub>1</sub>	3.56 [.140]	+ 0.25 [.010]
T <sub>2</sub>	0.76 [.030]	TYP.
T <sub>3</sub>	0.76 [.030]	TYP.

NOTES: UNLESS OTHERWISE SPECIFIED

1. WIRE: REFERENCE STEWARD WIRE PURCHASE SPEC. W0040-61.
2. IMPEDANCE VALUES ARE GROSS, MEASURED USING W0040-61 WIRE PLACED AGAINST END OF SLOT w/ NO D.C. BIAS.
3. REFERENCE STEWARD CORE 24H0335-600.
4. NO MORE THAN 0.18 [.007] DIFFERENCE FROM THE LONGEST TO THE SHORTEST CONDUCTOR ON ONE SIDE.
5. TERMINATION FINISH IS 100% TIN.
6. THIS PART HAS NO PIN POLARITY.

DIMENSIONS ARE IN mm (INCHES).				This print is the property of Laird Tech. and is loaned in confidence subject to return upon request and with the understanding that no copies shall be made without the written consent of Laird Tech. All rights to design or invention are reserved.		<b>Laird TECHNOLOGIES</b>	
D	ADD RATED VOLTAGE AND NOTE 6	08/30/12	QIU	PROJECT/PART NUMBER:	REV	PART TYPE:	DRAWN BY:
C	UPDATE COMPANY LOGO & KAPTON LABEL ADD EQUIVALENT CIRCUIT	11/18/08	JRK	CM3440Z171R-10	D	ASSEMBLY	JRK
B	UPDATE COMPANY LOGO	11/28/07	JRK	DATE:	SCALE:	NTS	SHEET:
A	ORIGINAL DRAFT	5/27/04	JRK	5/27/04			
REV	DESCRIPTION	DATE	INT	CAD #	TOOL #		
				CM3440Z171R-10-D-3	H0335		3 of 3

## X-ON Electronics

Largest Supplier of Electrical and Electronic Components

*Click to view similar products for [Common Mode Chokes / Filters](#) category:*

*Click to view products by [Laird](#) manufacturer:*

Other Similar products are found below :

[PE-64683](#) [RD5122-6-9M6](#) [RGCMF1210900H3T](#) [ST6118T-R](#) [FE3X025-10-7NL](#) [T8114NLT](#) [TCM0806G-350-2P-T](#) [TCM0806G-650-2P-T](#)  
[IND-0110](#) [UAL21VR0802000](#) [UALSC023000000](#) [UALSC1020JH000](#) [UALSU10VR15019](#) [UALSU9VD070100](#) [36-00037](#) [5701610000](#)  
[UALW21HS072450](#) [UALSU9HF050500](#) [UALSU9H0208000](#) [UAL24VK06450CH](#) [PLT10HH501100PNB](#) [PLT10HH401100PNB](#)  
[PLT10HH1026R0PNB](#) [PE-67531](#) [TLH10UB](#) [113 OR5](#) [2752045447](#) [CM8663Z161B-10](#) [7351V](#) [CMF16-153131](#) [T8116NLT](#) [CMS2-10-R](#)  
[FE2X10-4-2NL](#) [T8003NLT](#) [CTX66-19521-R](#) [RC212-0.5-10M](#) [RC112-0.4-15M](#) [RC212-0.6-6M8](#) [RC212-0.4-15M](#) [RC112-0.3-30M](#) [4534-3](#)  
[WTCF2012Z0M751PB](#) [PH9408.814NLT](#) [B82498B3221J000](#) [PAC6006.364NLT](#) [PAC6006.444NLT](#) [PAC6006.204NLT](#) [PH9407.204NLT](#)  
[PAC6006.264NLT](#) [PH9408.105NLT](#) [PH9408.494NLT](#)