

**PHYSICAL DIMENSIONS:**

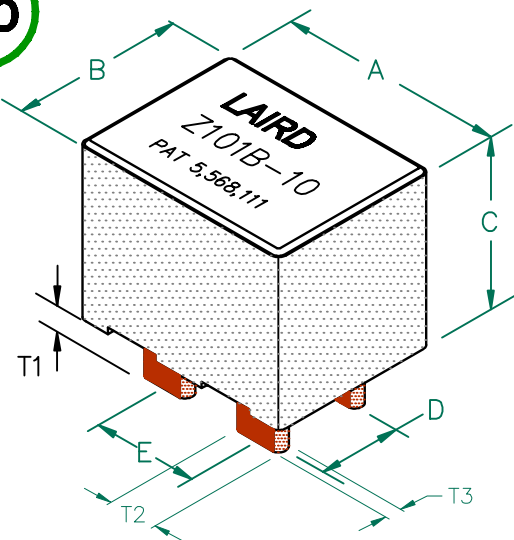
A	13.72 [.540]	+ 0.20 [.008]
B	10.41 [.410]	+ 0.15 [.006]
C	10.52 [.414]	+ 0.25 [.010]
D	5.28 [.208]	+ 0.13 [.005]
E	6.35 [.250]	+ 0.10 [.004]

**WIRE DIMENSIONS:**

T1	3.05 [.120]	+ 0.33 [.013]
T2	3.07 [.121]	+ 0.05 [.002]
T3	0.97 [.038]	+ 0.05 [.002]

# CM5441Z101B-10

**UNCONTROLLED DOCUMENT**

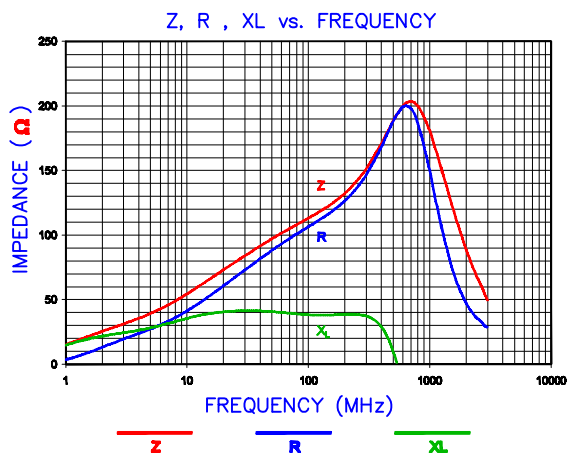
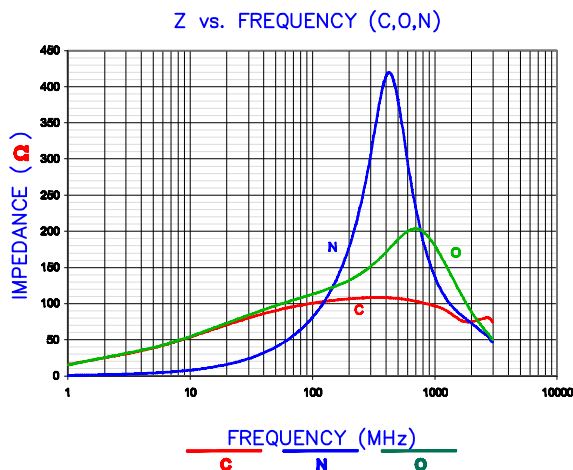


**ELECTRICAL CHARACTERISTICS:**

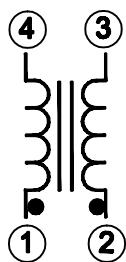
Z @ 100MHz (Ω)	DCR (Ω)	Rated Current
Nominal	100	
Minimum	75	
Maximum	-	.0003 *75,000 mA

NOTES: UNLESS OTHERWISE SPECIFIED

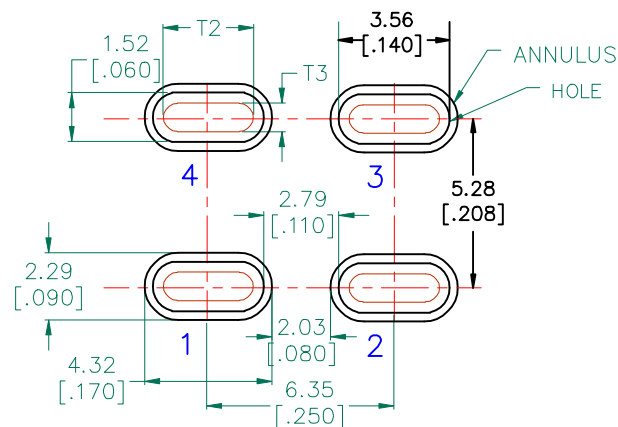
1. BULK PACKED, 825 per CASE.
- 2.\* MAXIMUM CURRENT IS:  
75,000 mA @ 30° C RISE.  
30,000 mA @ 25° C RISE.
3. COMPONENTS SHOULD BE ADEQUATELY PRE-HEATED BEFORE SOLDERING.
4. TERMINATION FINISH IS 100% TIN.
5. THIS PART HAS NO PIN POLARITY.



**EQUIVALENT CIRCUIT**

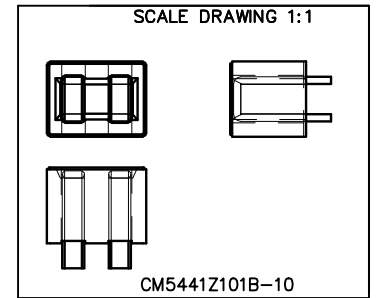
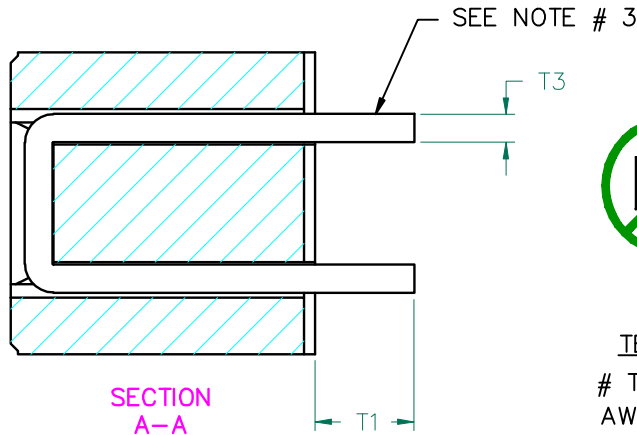
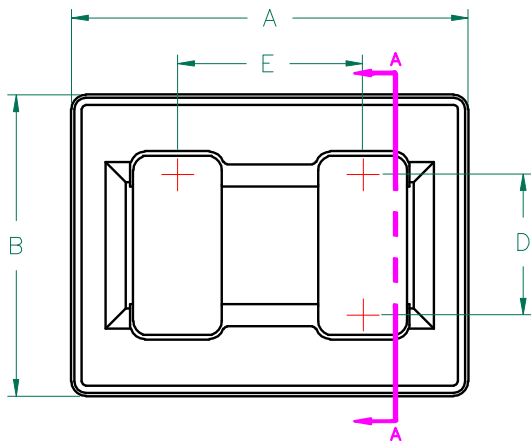


**HOLE PATTERN FOR WAVE SOLDERING**



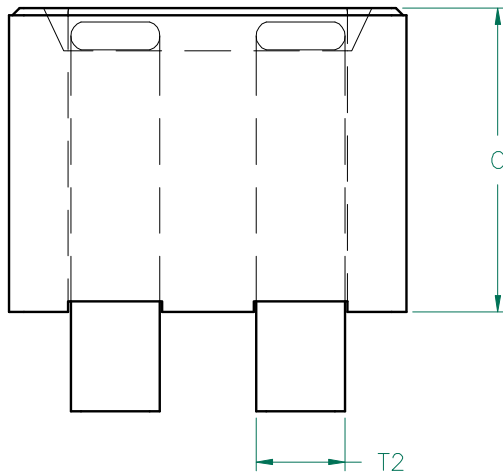
DIMENSIONS ARE IN mm (INCHES).				This print is the property of Laird Tech. and is loaned in confidence subject to return upon request and with the understanding that no copies shall be made without the written consent of Laird Tech. All rights to design or invention are reserved.		
C	UPDATE COMPANY LOGO & KAPTON LABEL ADD EQUIVALENT CIRCUIT	11/18/08	JRK	PROJECT/PART NUMBER:	CM5441Z101B-10	REV C
B	UPDATE COMPANY LOGO	12/18/07	JRK	DATE:	06/09/04	PART TYPE: ASSEMBLY
A	ORIGINAL DRAFT	06/09/04	JRK	CAD #		DRAWN BY: JRK
REV	DESCRIPTION	DATE	INT	CM5441Z101B-10-C-2		SCALE: NTS SHEET: 2 of 3





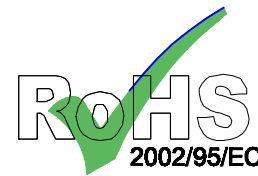
**ELECTRICAL TESTING**

TEST:	GROSS	GROSS
	Z	Z
# TURNS	1	1
AWG	22	22
FREQUENCY	25 MHz	100 MHz
NOMINAL	56 Ω	100 Ω
MINIMUM	42 Ω	75 Ω
WEIGHT/1000	5.94 kgs.	13.1 lbs.



**LAIRD**  
Z101B-10  
PAT 5,568,111

LABEL



**UNCONTROLLED DOCUMENT**

**DIMENSIONS:**

A	13.72 [.540]	+ 0.20 [.008]
B	10.41 [.410]	+ 0.15 [.006]
C	10.52 [.414]	+ 0.25 [.010]
D	5.28 [.208]	+ 0.13 [.005]
E	6.35 [.250]	+ 0.10 [.004]

**WIRE DIMENSIONS:**

T <sub>1</sub>	3.05 [.120]	+ 0.33 [.013]
T <sub>2</sub>	3.07 [.121]	+ 0.05 [.002]
T <sub>3</sub>	0.97 [.038]	+ 0.05 [.002]

**NOTES: UNLESS OTHERWISE SPECIFIED**

1. MAXIMUM CURRENT IS:  
75,000 mA @ 40° C RISE.  
30,000 mA @ 25° C RISE.
2. REFERENCE STEWARD CORE P/N 24H0540-000.
3. REFERENCE STEWARD WIRE PURCHASE SPEC.W0540-01.
4. PROTECTED BY U.S. PATENT NO. 5,568,111.
5. TERMINATION FINISH IS 100% TIN.
6. THIS PART HAS NO PIN POLARITY.

DIMENSIONS ARE IN MM [INCHES].				This print is the property of Laird Tech. and is loaned in confidence subject to return upon request and with the understanding that no copies shall be made without the written consent of Laird Tech. All rights to design or invention are reserved.		<b>Laird TECHNOLOGIES</b>	
C	UPDATE COMPANY LOGO AND KAPTON LABEL ADD EQUIVALENT CIRCUIT	11/18/08	JRK	PROJECT/PART NUMBER:	CM5441Z101B-10	REV	C
B	UPDATE COMPANY LOGO	12/18/07	JRK	DATE:	06/09/04	SCALE:	4 : 1
A	ORIGINAL DRAFT	06/09/04	JRK	CAD #	CM5441Z101B-10-B-C	TITLE:	3 of 3
REV	DESCRIPTION	DATE	INT			TOOL #	H0540-1

## X-ON Electronics

Largest Supplier of Electrical and Electronic Components

*Click to view similar products for [Common Mode Chokes / Filters](#) category:*

*Click to view products by [Laird](#) manufacturer:*

Other Similar products are found below :

[PE-64683](#) [RD5122-6-9M6](#) [RGCMF1210900H3T](#) [ST6118T-R](#) [FE3X025-10-7NL](#) [T8114NLT](#) [TCM0806G-350-2P-T](#) [TCM0806G-650-2P-T](#)  
[IND-0110](#) [UAL21VR0802000](#) [UALSC023000000](#) [UALSC1020JH000](#) [UALSU10VR15019](#) [UALSU9VD070100](#) [36-00037](#) [5701610000](#)  
[UALW21HS072450](#) [UALSU9HF050500](#) [UALSU9H0208000](#) [UAL24VK06450CH](#) [PLT10HH501100PNB](#) [PLT10HH401100PNB](#)  
[PLT10HH1026R0PNB](#) [PE-67531](#) [TLH10UB](#) [113 OR5](#) [2752045447](#) [CM8663Z161B-10](#) [7351V](#) [CMF16-153131](#) [T8116NLT](#) [CMS2-10-R](#)  
[FE2X10-4-2NL](#) [T8003NLT](#) [CTX66-19521-R](#) [RC212-0.5-10M](#) [RC112-0.4-15M](#) [RC212-0.6-6M8](#) [RC212-0.4-15M](#) [RC112-0.3-30M](#) [4534-3](#)  
[WTCF2012Z0M751PB](#) [PH9408.814NLT](#) [B82498B3221J000](#) [PAC6006.364NLT](#) [PAC6006.444NLT](#) [PAC6006.204NLT](#) [PH9407.204NLT](#)  
[PAC6006.264NLT](#) [PH9408.105NLT](#) [PH9408.494NLT](#)