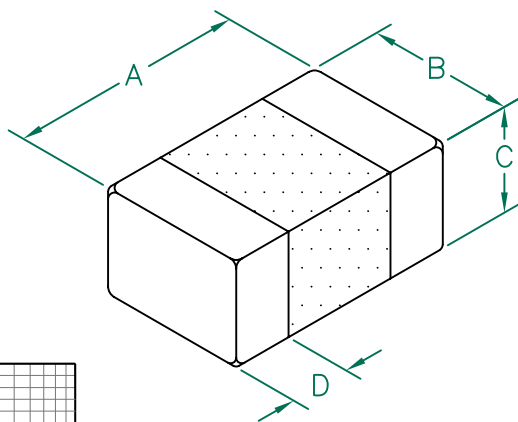


HI0805R800R-10

UNCONTROLLED DOCUMENT

PHYSICAL DIMENSIONS:

A	2.00 [.079]	+ 0.20 [.008]
B	1.25 [.049]	+ 0.20 [.008]
C	0.90 [.035]	+ 0.20 [.008]
D	0.51 [.020]	+ 0.25 [.010]



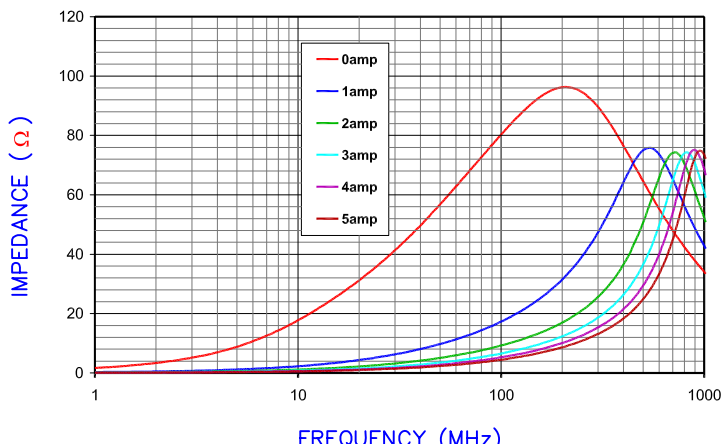
ELECTRICAL CHARACTERISTICS:

Z @ 100MHz (Ω)	DCR (Ω)	Rated Current
Nominal	80	
Minimum	60	
Maximum	100	5000 mA

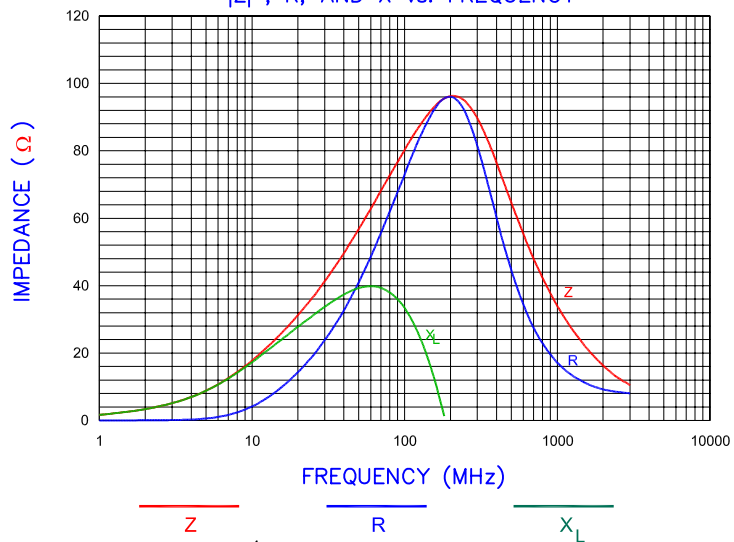
NOTES: UNLESS OTHERWISE SPECIFIED

1. TAPED AND REELED per CURRENT EIA SPECIFICATIONS 7" REELS, 4000 PCS/REE, PAPER TAPE.
2. TERMINATION FINISH IS 100% TIN.
3. CONTINUOUS CURRENT RATING OF 5000 mA.
4. COMPONENTS SHOULD BE ADEQUATELY PREHEATED BEFORE SOLDERING.

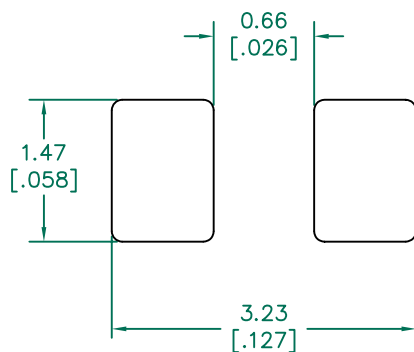
Z vs FREQUENCY
IMPEDANCE UNDER DC BIAS



FREQUENCY (MHz)
|Z|, R, AND X vs. FREQUENCY

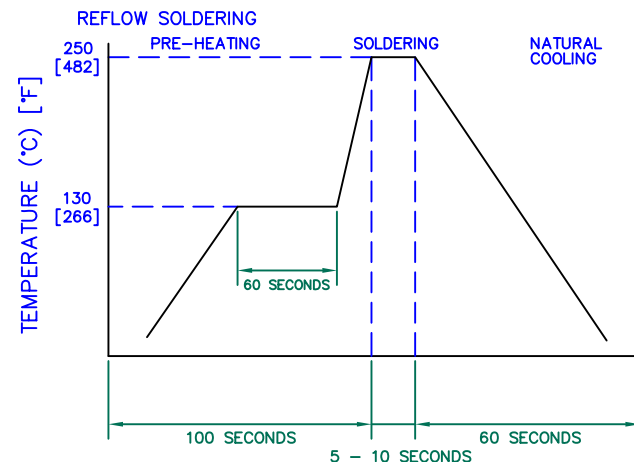


LAND PATTERNS FOR REFLOW SOLDERING



(For wave soldering, add 0.763 [.030] to this dimension.)

RECOMMENDED SOLDERING CONDITIONS



DIMENSIONS ARE IN mm [INCHES].

This print is the property of Laird Tech. and is loaned in confidence subject to return upon request and with the understanding that no copies shall be made without the written consent of Laird Tech. All rights to design or invention are reserved.



REV	DESCRIPTION	DATE	INT	PROJECT/PART NUMBER:	REV	PART TYPE:	DRAWN BY:		
D	CHANGE TO PAPER TAPE	03/03/10	JUN	HI0805R800R-10	D	CO-FIRE	TMB		
C	UPDATE COMPANY LOGO	06/15/09	JRK						
B	UPDATE COMPANY LOGO	01/17/08	JRK						
A	ORIGINAL DRAFT	04/02/04	TMB						
REV	DESCRIPTION	DATE	INT						
				DATE:	04/02/04	SCALE:	NTS	SHEET:	2 of 2
				GAD #	HI0805R800R-10-D	TOOL #	-		

X-ON Electronics

Largest Supplier of Electrical and Electronic Components

Click to view similar products for [Ferrite Beads](#) category:

Click to view products by [Laird](#) manufacturer:

Other Similar products are found below :

[CZB1EGTTP700P](#) [CZB1JGTTD152P](#) [CZB1JGTTD301P](#) [CZB2AFTTD800P](#) [CZB2AGTTD121P](#) [CZB2AGTTD601P](#) [CZB2BFTTE600P](#)
[PE-0402FB121ST](#) [NCB0603R301TR050F](#) [NCB0805A320TR050F](#) [NCB-H1206B680TR300F](#) [CZB1JGTTD221P](#) [CZB1JGTTD600P](#)
[CZB2AGTTD301P](#) [CZB2BFTTE301P](#) [CZB2BFTTE601P](#) [4221R-1](#) [432703041971](#) [EMI0805R-600](#) [SBY100505T-100Y-N](#) [NCB-](#)
[GH0402D121TR060F](#) [NCB0402P301TR005F](#) [NCB0603R152TR030F](#) [NCB0805A121TR050F](#) [NCB0805A301TR070F](#)
[NCB3312K900TR500F](#) [NCB-H0805A221TR300F](#) [NCB-H1206B101TR300F](#) [NCB-H1806E181TR300F](#) [NCB0402P221TR030F](#)
[NCB0402P300TR030F](#) [NCB0402P700TR050F](#) [NCB0805A102TR040F](#) [NCB1806E151TR020F](#) [NCB-H0603R121TR300F](#) [NCB-](#)
[H0805A220TR600F](#) [NCB-H0805A390TR400F](#) [NCB-H1206B601TR200F](#) [CIM21J252NE](#) [EMI0805R-220](#) [CZB1JGTTD202P](#) [EMI1206R-](#)
[600](#) [WLBD1005HCU330TL](#) [WLBD2012HCU121TH](#) [WLBD2012HCU221TH](#) [WQBD1608HCU121TH](#) [WLBD1608K2U800TP](#) [74279230](#)
[BMB2A0080AN4](#) [FBSHC0805-331-302R](#)