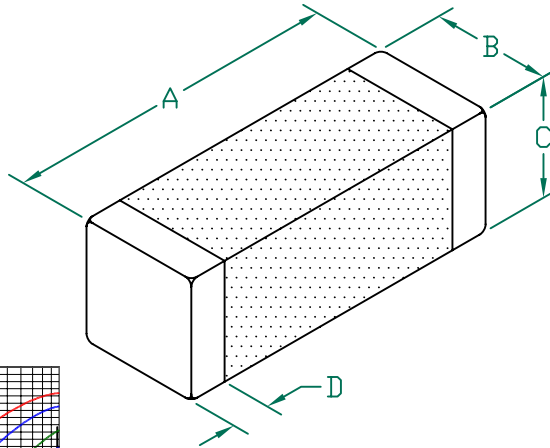


# HI1806T600R-10

**UNCONTROLLED DOCUMENT**

PHYSICAL DIMENSIONS:

A	4.50 [.177]	+ 0.25 [.010]
B	1.60 [.063]	+ 0.25 [.010]
C	1.60 [.063]	+ 0.25 [.010]
D	0.51 [.020]	+ 0.25 [.010]

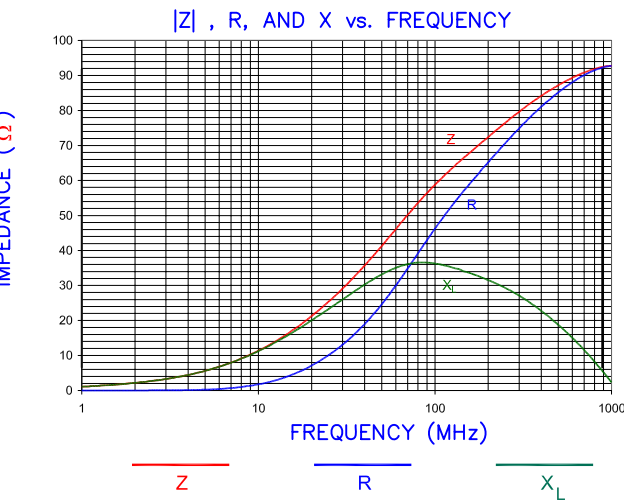
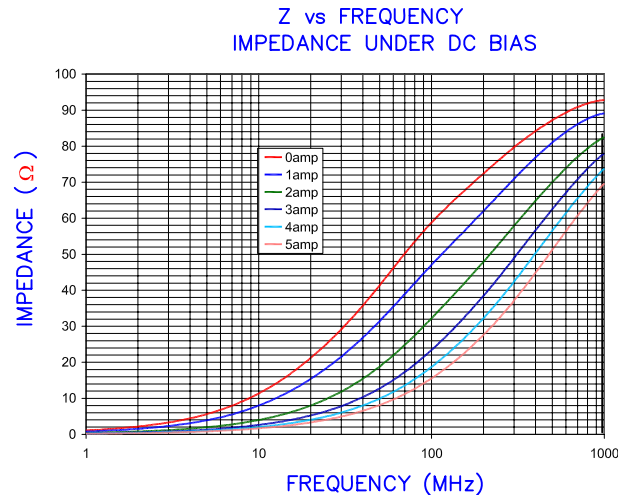


ELECTRICAL CHARACTERISTICS:

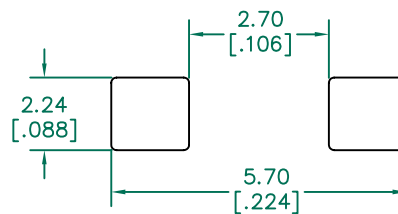
Z @ 100MHz (Ω)	DCR (Ω)	Rated Current
Nominal	60	
Minimum	45	
Maximum	75	0.010 6000 mA

NOTES: UNLESS OTHERWISE SPECIFIED

1. TERMINATION FINISH IS 100% TIN.
2. TAPED AND REELED per CURRENT EIA SPECIFICATIONS 7" REELS, 2,000 PCS/REEL.
3. COMPONENTS SHOULD BE ADEQUATELY PREHEATED BEFORE SOLDERING.

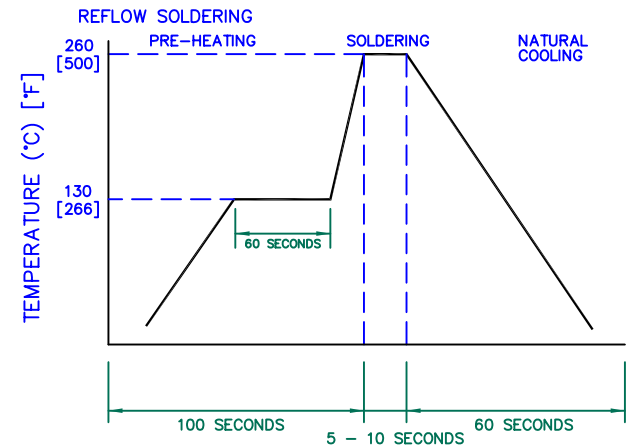


LAND PATTERNS FOR REFLOW SOLDERING



(For wave soldering, add 0.762 [.030] to this dimension.)

RECOMMENDED SOLDERING CONDITIONS



DIMENSIONS ARE IN mm [INCHES].				This print is the property of Laird Tech. and is loaned in confidence subject to return upon request and with the understanding that no copies shall be made without the written consent of Laird Tech. All rights to design or invention are reserved.			
G	CHANGE SOLDERING TEMPERATURE FROM 250	07/08/10	JUN				
F	CHANGE REEL QTY FROM 3K TO 2K	11/06/08	JRK				
E	UPDATE COMPANY LOGO	06/19/08	JRK				
D	UPDATE COMPANY LOGO ADD ROHS SYMBOL	01/18/08	JRK				
C	ADD DC BIAS CURVE, CORRECT LANDPATTERN	03/07/03	JRK				
PROJECT/PART NUMBER: HI1806T600R-10				REV: G	PART TYPE: CO-FIRE	DRAWN BY: BAC	
B	REMOVE NOTE 3	09/14/01	JRK	DATE: 01/12/01	SCALE: NTS	SHEET: 2 of 2	
A	ORIGINAL DRAFT	01/12/01	BAC	CAD # HI1806T600R-10-G	TOOL # -		
REV	DESCRIPTION	DATE	INT				

## X-ON Electronics

Largest Supplier of Electrical and Electronic Components

*Click to view similar products for [Ferrite Beads](#) category:*

*Click to view products by [Laird](#) manufacturer:*

Other Similar products are found below :

[CZB1EGTTP700P](#) [CZB1JGTTD152P](#) [CZB1JGTTD301P](#) [CZB2AFTTD800P](#) [CZB2AGTTD121P](#) [CZB2AGTTD601P](#) [CZB2BFTTE600P](#)  
[PE-0402FB121ST](#) [NCB0603R301TR050F](#) [NCB0805A320TR050F](#) [NCB-H1206B680TR300F](#) [CZB1JGTTD221P](#) [CZB1JGTTD600P](#)  
[CZB2AGTTD301P](#) [CZB2BFTTE301P](#) [CZB2BFTTE601P](#) [4221R-1](#) [432703041971](#) [EMI0805R-600](#) [SBY100505T-100Y-N](#) [NCB-](#)  
[GH0402D121TR060F](#) [NCB0402P301TR005F](#) [NCB0603R152TR030F](#) [NCB0805A121TR050F](#) [NCB0805A301TR070F](#)  
[NCB3312K900TR500F](#) [NCB-H0805A221TR300F](#) [NCB-H1206B101TR300F](#) [NCB-H1806E181TR300F](#) [NCB0402P221TR030F](#)  
[NCB0402P300TR030F](#) [NCB0402P700TR050F](#) [NCB0805A102TR040F](#) [NCB1806E151TR020F](#) [NCB-H0603R121TR300F](#) [NCB-](#)  
[H0805A220TR600F](#) [NCB-H0805A390TR400F](#) [NCB-H1206B601TR200F](#) [CIM21J252NE](#) [EMI0805R-220](#) [CZB1JGTTD202P](#) [EMI1206R-](#)  
[600](#) [WLBD1005HCU330TL](#) [WLBD2012HCU121TH](#) [WLBD2012HCU221TH](#) [WQBD1608HCU121TH](#) [WLBD1608K2U800TP](#) [74279230](#)  
[BMB2A0080AN4](#) [FBSHC0805-331-302R](#)