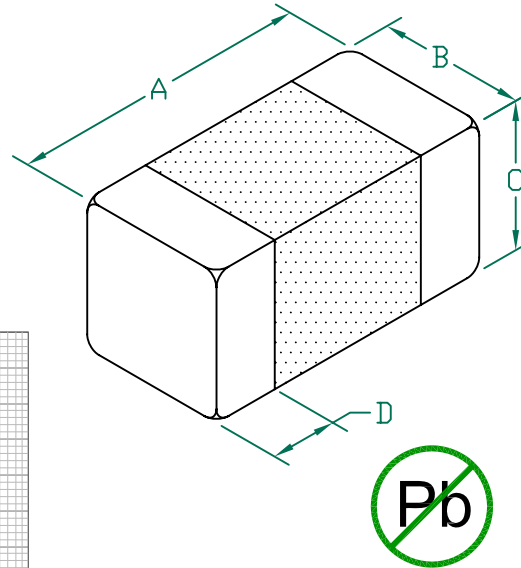


# HZ0603B112R-10

**UNCONTROLLED DOCUMENT**

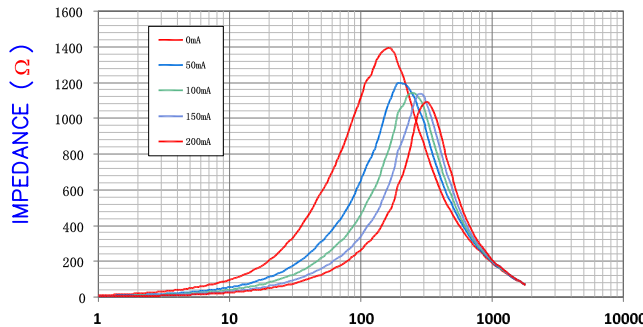
**PHYSICAL DIMENSIONS:**

A	1.60 [.063]	+ 0.15	-.006
B	0.80 [.031]	+ 0.15	-.006
C	0.80 [.031]	+ 0.15	-.006
D	0.36 [.014]	+ 0.15	-.006



ELECTRICAL CHARACTERISTICS:			
Z @ 100MHz (Ω)	DCR (Ω)	Rated Current	
Nominal	1100		
Minimum	825		
Maximum	1375	0.80	200 mA

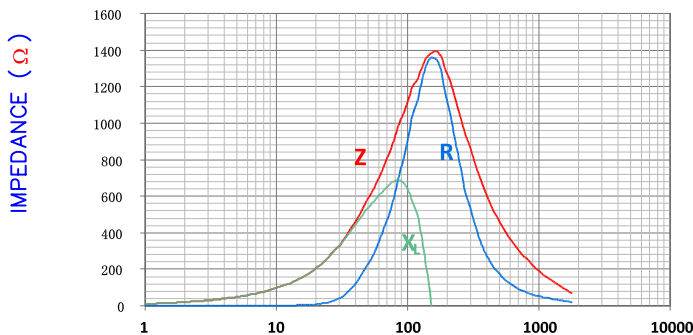
Z vs FREQUENCY  
IMPEDANCE UNDER DC BIAS



- NOTES: UNLESS OTHERWISE SPECIFIED
1. TAPED AND REELED per CURRENT EIA SPECIFICATIONS 7" REELS, 4000 PCS/REEL.
  2. TERMINATION FINISH IS 100% TIN.
  3. COMPONENTS SHOULD BE ADEQUATELY PREHEATED BEFORE SOLDERING.

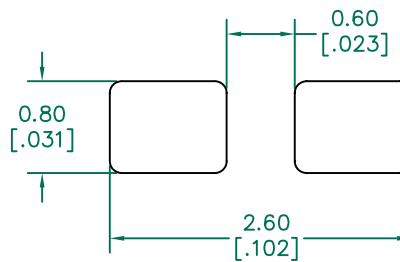
FREQUENCY (MHz)

|Z| , R, AND X<sub>L</sub> vs. FREQUENCY



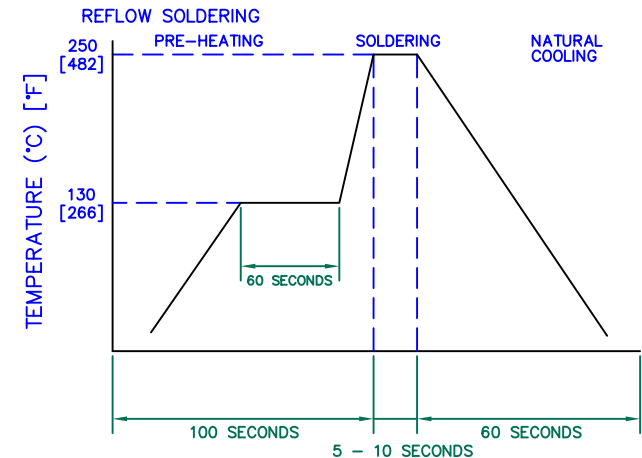
FREQUENCY (MHz)

**LAND PATTERNS FOR REFLOW SOLDERING**



(For wave soldering, add 0.762 (.030) to this dimension)

**RECOMMENDED SOLDERING CONDITIONS**



DIMENSIONS ARE IN mm [INCHES].				This print is the property of Laird Tech. and is loaned in confidence subject to return upon request and with the understanding that no copies shall be made without the written consent of Laird Tech. All rights to design or invention are reserved.				<b>Laird TECHNOLOGIES®</b>	
PROJECT/PART NUMBER:				REV	PART TYPE:	DRAWN BY:			
C	UPDATE CURVES	07/23/10	JUN	HZ0603B112R-10	C	CO-FIRE	TMB		
B	UPDATE COMPANY LOGO ADD ROHS	02/26/08	JRK	DATE: 04/03/04	SCALE: -	SHEET:			
A	ORIGINAL DRAFT	04/03/04	TMB	CAD # HZ0603B112R-10-C	TOOL # -	2 of 2			
REV	DESCRIPTION	DATE	INT						

## X-ON Electronics

Largest Supplier of Electrical and Electronic Components

*Click to view similar products for [Ferrite Beads](#) category:*

*Click to view products by [Laird](#) manufacturer:*

Other Similar products are found below :

[CZB1EGTTP700P](#) [CZB1JGTTD152P](#) [CZB1JGTTD301P](#) [CZB2AFTTD800P](#) [CZB2AGTTD121P](#) [CZB2AGTTD601P](#) [CZB2BFTTE600P](#)  
[PE-0402FB121ST](#) [NCB0603R301TR050F](#) [NCB0805A320TR050F](#) [NCB-H1206B680TR300F](#) [CZB1JGTTD221P](#) [CZB1JGTTD600P](#)  
[CZB2AGTTD301P](#) [CZB2BFTTE301P](#) [CZB2BFTTE601P](#) [4221R-1](#) [432703041971](#) [EMI0805R-600](#) [SBY100505T-100Y-N](#) [NCB-](#)  
[GH0402D121TR060F](#) [NCB0402P301TR005F](#) [NCB0603R152TR030F](#) [NCB0805A121TR050F](#) [NCB0805A301TR070F](#)  
[NCB3312K900TR500F](#) [NCB-H0805A221TR300F](#) [NCB-H1206B101TR300F](#) [NCB-H1806E181TR300F](#) [NCB0402P221TR030F](#)  
[NCB0402P300TR030F](#) [NCB0402P700TR050F](#) [NCB0805A102TR040F](#) [NCB1806E151TR020F](#) [NCB-H0603R121TR300F](#) [NCB-](#)  
[H0805A220TR600F](#) [NCB-H0805A390TR400F](#) [NCB-H1206B601TR200F](#) [CIM21J252NE](#) [EMI0805R-220](#) [CZB1JGTTD202P](#) [EMI1206R-](#)  
[600](#) [WLBD1005HCU330TL](#) [WLBD2012HCU121TH](#) [WLBD2012HCU221TH](#) [WQBD1608HCU121TH](#) [WLBD1608K2U800TP](#) [74279230](#)  
[BMB2A0080AN4](#) [FBSHC0805-331-302R](#)