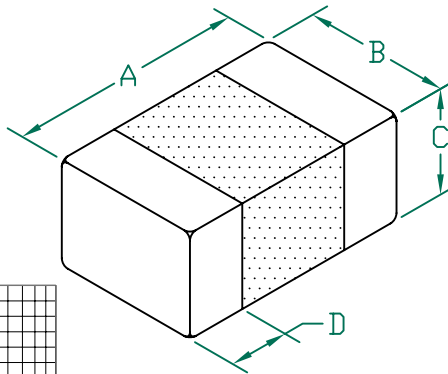


# HZ0805B222R-10

**UNCONTROLLED DOCUMENT**

## PHYSICAL DIMENSIONS:

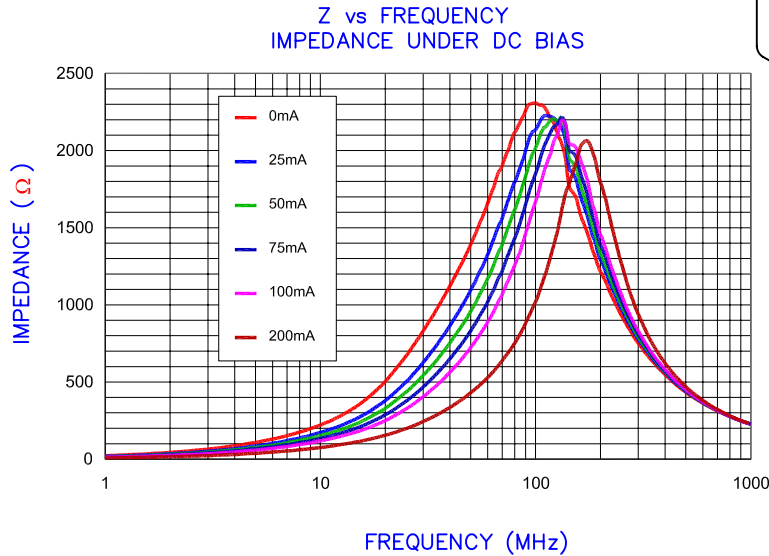
A	2.00	[.079]	+ 0.20	[.008]
B	1.25	[.049]	+ 0.20	[.008]
C	0.89	[.035]	+ 0.20	[.008]
D	0.51	[.020]	+ 0.25	[.010]



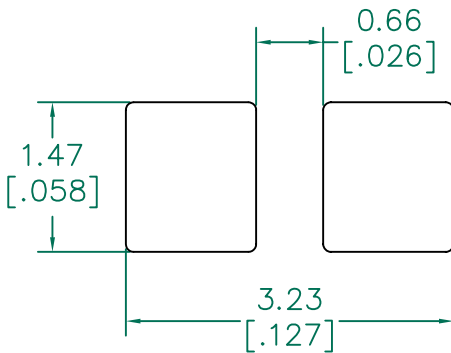
## ELECTRICAL CHARACTERISTICS:

Z @ 100MHz ( $\Omega$ )	DCR ( $\Omega$ )	Rated Current
Nominal	2200	
Minimum	1650	
Maximum	2750	0.8
		200 mA

- NOTES: UNLESS OTHERWISE SPECIFIED
- TAPED AND REELED per CURRENT EIA SPECIFICATIONS 7" REEL, 4000 PCS/REEL, PAPER TAPE.
  - COMPONENTS SHOULD BE ADEQUATELY PREHEATED BEFORE SOLDERING.
  - TERMINATION FINISH 100% TIN.

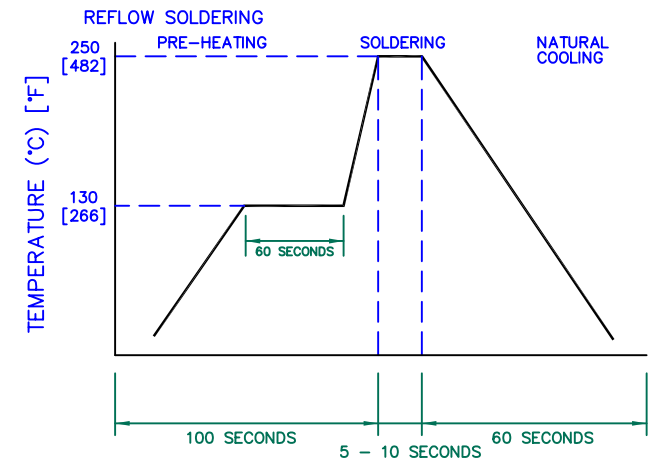


## LAND PATTERNS FOR REFLOW SOLDERING

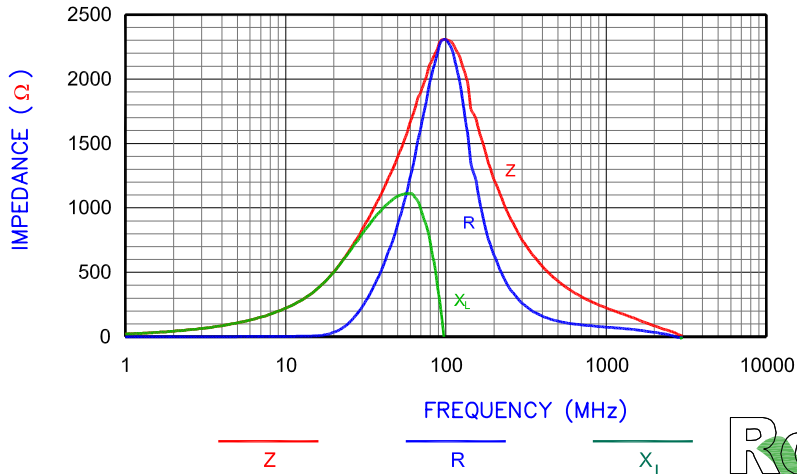


(For wave soldering, add 0.763 [0.030] to this dimension.)

## RECOMMENDED SOLDERING CONDITIONS

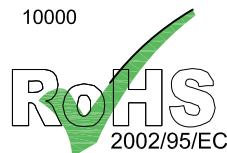


## |Z|, R, AND X vs. FREQUENCY



DIMENSIONS ARE IN mm [INCHES].

This print is the property of Laird Tech. and is loaned in confidence subject to return upon request and with the understanding that no copies shall be made without the written consent of Laird Tech. All rights to design or invention are reserved.						
PROJECT/PART NUMBER: HZ0805B222R-10					REV: E	PART TYPE: CO-FIRE
E	CHANGE TO PAPER TAPE	03/03/10	JUN			
D	CHG C DIM FROM [.049] Chg REEL QTY.	07/09/08	JRK			
C	UPDATE COMPANY LOGO	03/18/08	JRK			
B	ADD BIAS CURVE UPDATE LOGO	07/31/07	JRK			
A	ORIGINAL DRAFT	04/07/06	JRK			
REV	DESCRIPTION	DATE	INT	DATE: 04/07/06	SCALE: NTS	SHEET: 2 of 2
				CAD # HZ0805B222R-10-E	TOOL # -	



## X-ON Electronics

Largest Supplier of Electrical and Electronic Components

*Click to view similar products for [Ferrite Beads](#) category:*

*Click to view products by [Laird](#) manufacturer:*

Other Similar products are found below :

[CZB1EGTTP700P](#) [CZB1JGTTD152P](#) [CZB1JGTTD301P](#) [CZB2AFTTD800P](#) [CZB2AGTTD121P](#) [CZB2AGTTD601P](#) [CZB2BFTTE600P](#)  
[PE-0402FB121ST](#) [NCB0603R301TR050F](#) [NCB0805A320TR050F](#) [NCB-H1206B680TR300F](#) [CZB1JGTTD221P](#) [CZB1JGTTD600P](#)  
[CZB2AGTTD301P](#) [CZB2BFTTE301P](#) [CZB2BFTTE601P](#) [4221R-1](#) [432703041971](#) [EMI0805R-600](#) [SBY100505T-100Y-N](#) [NCB-](#)  
[GH0402D121TR060F](#) [NCB0402P301TR005F](#) [NCB0603R152TR030F](#) [NCB0805A121TR050F](#) [NCB0805A301TR070F](#)  
[NCB3312K900TR500F](#) [NCB-H0805A221TR300F](#) [NCB-H1206B101TR300F](#) [NCB-H1806E181TR300F](#) [NCB0402P221TR030F](#)  
[NCB0402P300TR030F](#) [NCB0402P700TR050F](#) [NCB0805A102TR040F](#) [NCB1806E151TR020F](#) [NCB-H0603R121TR300F](#) [NCB-](#)  
[H0805A220TR600F](#) [NCB-H0805A390TR400F](#) [NCB-H1206B601TR200F](#) [CIM21J252NE](#) [EMI0805R-220](#) [CZB1JGTTD202P](#) [EMI1206R-](#)  
[600](#) [WLBD1005HCU330TL](#) [WLBD2012HCU121TH](#) [WLBD2012HCU221TH](#) [WQBD1608HCU121TH](#) [WLBD1608K2U800TP](#) [74279230](#)  
[BMB2A0080AN4](#) [FBSHC0805-331-302R](#)