

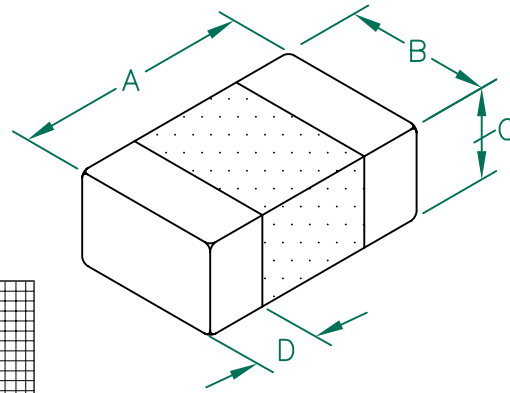


# MI0805K601R-10

**UNCONTROLLED DOCUMENT**

## PHYSICAL DIMENSIONS:

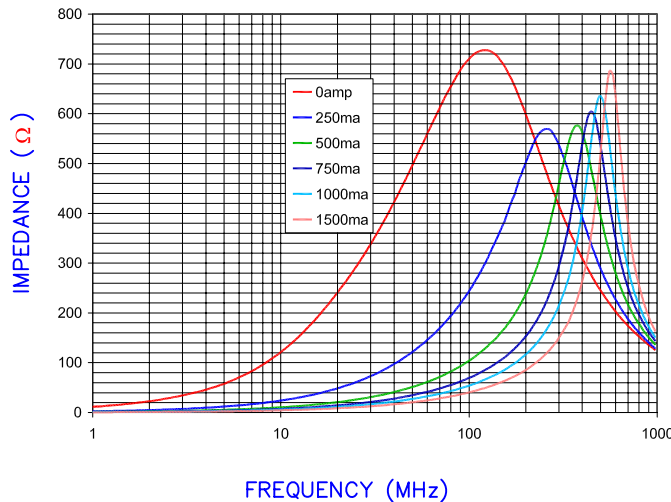
A	2.00 [.079]	+ 0.20 [.008]
B	1.25 [.049]	+ 0.20 [.008]
C	0.90 [.035]	+ 0.20 [.008]
D	0.51 [.020]	+ 0.25 [.010]



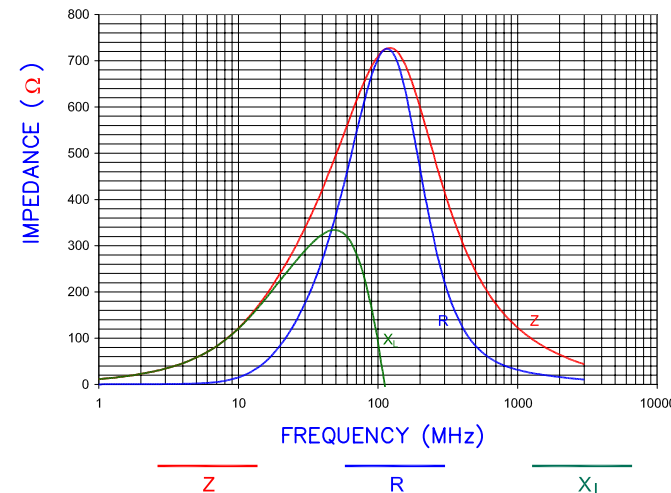
## ELECTRICAL CHARACTERISTICS:

Z @ 100MHz ( $\Omega$ )	DCR ( $\Omega$ )	Rated Current
Nominal	600	
Minimum	450	
Maximum	750	1500 mA

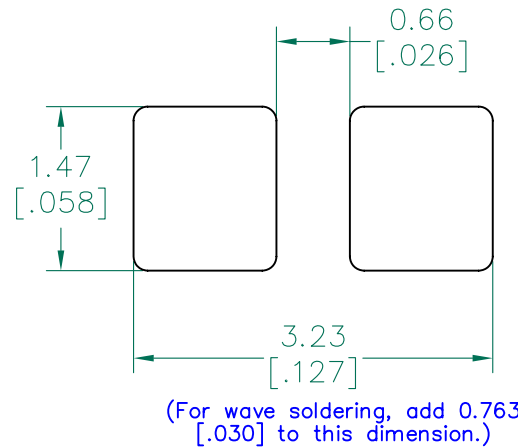
Z vs FREQUENCY  
IMPEDANCE UNDER DC BIAS



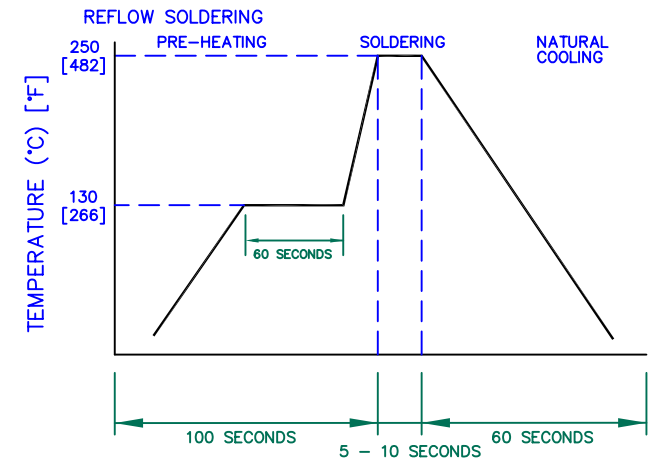
FREQUENCY (MHz)  
|Z|, R, AND X vs. FREQUENCY



## LAND PATTERNS FOR REFLOW SOLDERING



## RECOMMENDED SOLDERING CONDITIONS



DIMENSIONS ARE IN mm [INCHES].				This print is the property of Laird Tech. and is loaned in confidence subject to return upon request and with the understanding that no copies shall be made without the written consent of Laird Tech. All rights to design or invention are reserved.			
C	CHANGE TO PAPER TAPE	03/04/10	JUN	MI0805K601R-10		REV C	PART TYPE: CO-FIRE
B	UPDATE COMPANY LOGO ADD ROHS SYMBOL	08/18/08	JRK	DATE: 01/13/04	SCALE: NTS	SHEET: 2 of 2	
A	ORIGINAL DRAFT	01/13/04	JRK	GAD #	TOOL #		
REV	DESCRIPTION	DATE	INT	MI0805K601R-10-C			



## X-ON Electronics

Largest Supplier of Electrical and Electronic Components

*Click to view similar products for [Ferrite Beads](#) category:*

*Click to view products by [Laird](#) manufacturer:*

Other Similar products are found below :

[CZB1EGTTP700P](#) [CZB1JGTTD152P](#) [CZB1JGTTD301P](#) [CZB2AFTTD800P](#) [CZB2AGTTD121P](#) [CZB2AGTTD601P](#) [CZB2BFTTE600P](#)  
[PE-0402FB121ST](#) [NCB0603R301TR050F](#) [NCB0805A320TR050F](#) [NCB-H1206B680TR300F](#) [CZB1JGTTD221P](#) [CZB1JGTTD600P](#)  
[CZB2AGTTD301P](#) [CZB2BFTTE301P](#) [CZB2BFTTE601P](#) [4221R-1](#) [432703041971](#) [EMI0805R-600](#) [SBY100505T-100Y-N](#) [NCB-](#)  
[GH0402D121TR060F](#) [NCB0402P301TR005F](#) [NCB0603R152TR030F](#) [NCB0805A121TR050F](#) [NCB0805A301TR070F](#)  
[NCB3312K900TR500F](#) [NCB-H0805A221TR300F](#) [NCB-H1206B101TR300F](#) [NCB-H1806E181TR300F](#) [NCB0402P221TR030F](#)  
[NCB0402P300TR030F](#) [NCB0402P700TR050F](#) [NCB0805A102TR040F](#) [NCB1806E151TR020F](#) [NCB-H0603R121TR300F](#) [NCB-](#)  
[H0805A220TR600F](#) [NCB-H0805A390TR400F](#) [NCB-H1206B601TR200F](#) [CIM21J252NE](#) [EMI0805R-220](#) [CZB1JGTTD202P](#) [EMI1206R-](#)  
[600](#) [WLBD1005HCU330TL](#) [WLBD2012HCU121TH](#) [WLBD2012HCU221TH](#) [WQBD1608HCU121TH](#) [WLBD1608K2U800TP](#) [74279230](#)  
[BMB2A0080AN4](#) [FBSHC0805-331-302R](#)