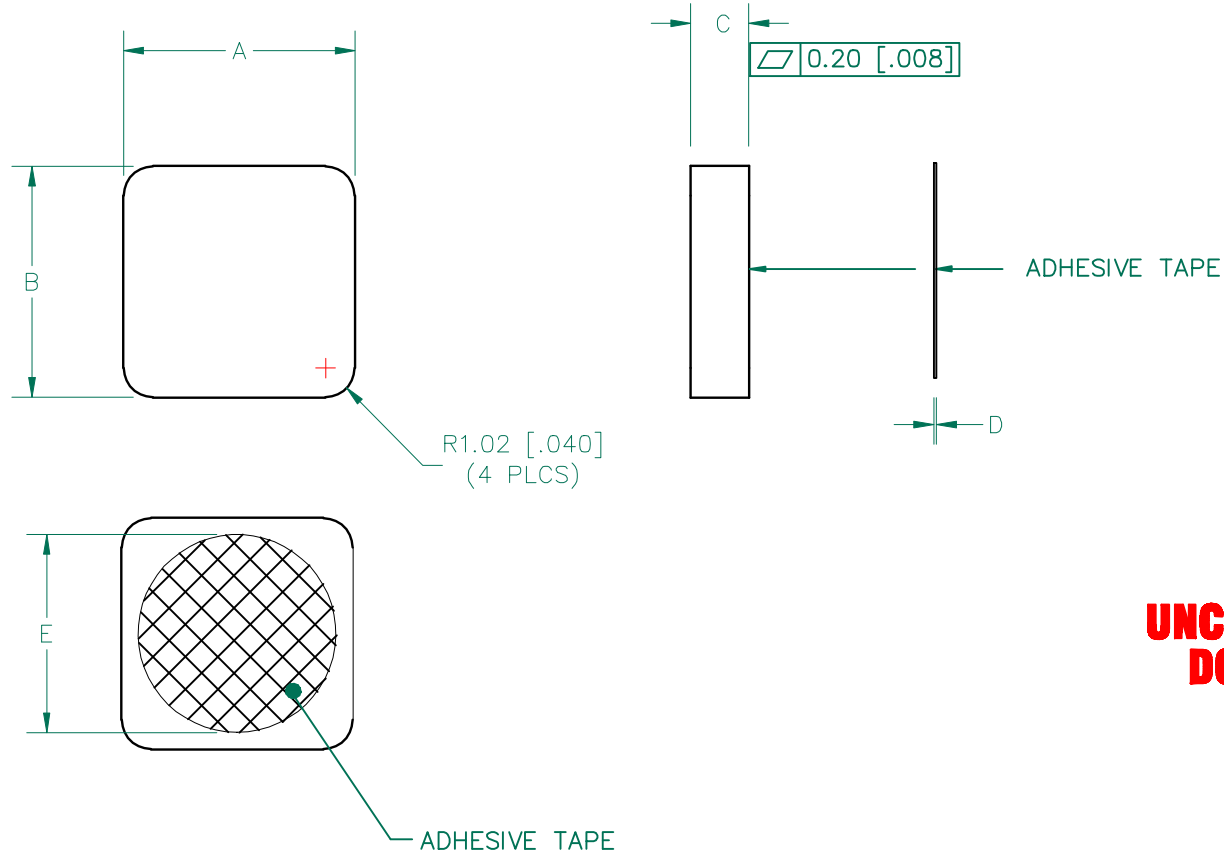


SCALE DRAWING 1:1



MP0315-200



UNCONTROLLED DOCUMENT

NOTES:

1. CORE: MP0315-2B0.
2. ADHESIVE: P/N 21217.
3. REFERENCE 3M TAPE 468MP ADHESIVE TRANSFER TAPE OR ENGINEER APPROVED ALTERNATIVE.

DIMENSIONS:

A	8.00 [.315]	+	0.15 [.006]
B	8.00 [.315]	+	0.15 [.006]
C	2.00 [.079]	+	0.10 [.004]
D	0.13 [.005]		TYP.
E	6.86 [.270]		TYP.

WEIGHT/1000 0.63 kgs [1.38 Lbs]

DIMENSIONS ARE IN mm [INCHES].				This print is the property of Laird Tech. and is loaned in confidence subject to return upon request and with the understanding that no copies shall be made without the written consent of Laird Tech. All rights to design or invention are reserved.							
REV	DESCRIPTION	DATE	INT								
J	CHANGE DIMENSION D	07/08/09	JRK	PROJECT/PART NUMBER: MP0315-200		REV	J	PART TYPE:	FERRITE PLATE	DRAWN BY:	JRK
H	REM PULLTAB REV NOTE #3	06/10/09	JRK								
G	UPDATE COMPANY LOGO & NOTE #3	12/09/08	JRK								
F	CORRECT MISSING (-) FROM B TOLS UPDATE COMPANY LOGO	05/25/07	JRK								
E	CHG TOLS ON C DIM.	01/20/06	JRK								
D	STANDARDIZE PRINT FORMAT	09/21/05	JRK								
C	ADD ADHESIVE P/N TO NOTE 1	10/05/04	JRK								
B	ADD PART WEIGHT	04/06/04	TMB								
REV	DESCRIPTION	DATE	INT								
		02/20/04				SCALE:	4 : 1	MATERIAL:		Ferrite	
		DATE #	MP0315-200-J	TOOL #	P0315						

X-ON Electronics

Largest Supplier of Electrical and Electronic Components

Click to view similar products for [EMI Gaskets, Sheets, Absorbers & Shielding](#) category:

Click to view products by [Laird](#) manufacturer:

Other Similar products are found below :

[0097092102](#) [8101010140](#) [1194-14"X36YD](#) [1182-14"X18YD](#) [1245-34"X18YD](#) [1345-3/8x18yrd](#) [1380-2"X8"](#) [1554907-1](#) [227431-1](#)
[2320002000](#) [2320014700](#) [25-78FS-BD-24](#) [SG293037DS](#) [ST005PCN50](#) [3070-500-STD](#) [55005107](#) [10-40450-28](#) [1125-8X10](#) [1126X1"](#) [1170-](#)
[3/4X18YDS](#) [1170-7.7x10](#) [1183-12"X18YD](#) [6-34T-BD-0.315](#) [SG125187D-24](#) [SG125250R-24](#) [SG187375R-24](#) [SG284050DS](#) [KIT TECH](#)
[CLIP](#) [10-40450-28S](#) [46J8501020.NN00](#) [1170-1/4"x18yd](#) [AL-36FR-1x54.5](#) [55005106](#) [0137131400](#) [6-34UT-070-BD-16](#) [3070-500-RUB](#)
[HNY-LT15CU4241](#) [46W5E02520.NN00](#) [38M6040AA0606](#) [2101143-3](#) [BMI-S-206-C](#) [54-CBSU-24.0](#) [M83528/001F004](#) [SG295355D-48.00](#)
[SG080200R-48.00](#) [SG180400D-12](#) [SMS-203-M-F](#) [SMS-203-M-C](#) [8-25FSC-BD-16](#) [23-76FSC-SN-24](#)