
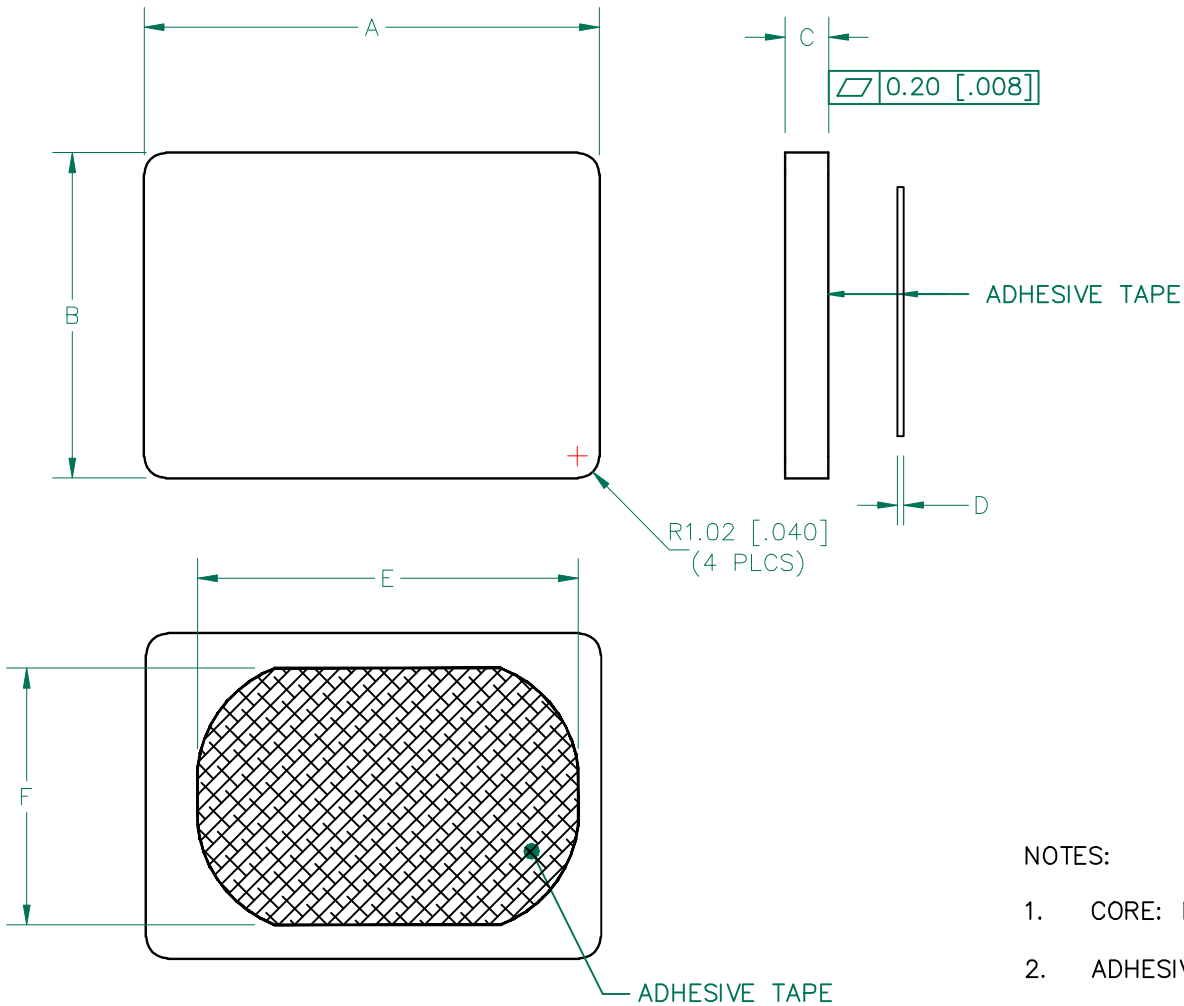


SCALE DRAWING 1:1

 MP0590-200



UNCONTROLLED DOCUMENT


NOTES:

1. CORE: MP0590-2B0.
2. ADHESIVE: P/N 21216
3. REFERENCE 3M TAPE 468MP ADHESIVE TRANSFER TAPE OR ENGINEER APPROVED ALTERNATIVE.

DIMENSIONS:

A	21.00 [.827]	±	0.42 [.017]
B	15.00 [.591]	±	0.30 [.012]
C	2.00 [.079]	±	0.08 [.003]
D	0.13 [.005]	±	TYP.
E	17.78 [.700]	±	TYP.
F	11.94 [.470]	±	TYP.

WEIGHT/1000 3.12 kgs [6.88 Lbs]

DIMENSIONS ARE IN mm [INCHES].				This print is the property of Laird Tech. and is loaned in confidence subject to return upon request and with the understanding that no copies shall be made without the written consent of Laird Tech. All rights to design or invention are reserved.				
REV	DESCRIPTION	DATE	INT					
H	CHANGE DIMENSION D	07/09/09	JRK	PROJECT/PART NUMBER: MP0590-200		REV	PART TYPE:	DRAWN BY:
G	REMOVE PULLTAB REVISE NOTE #3	06/11/09	JRK	MP0590-200		H	FERRITE PLATE	JRK
F	UPDATE COMPANY LOGO & NOTE #3	12/11/08	JRK	DATE: 02/20/04		SCALE: 3 : 1		MATERIAL:
E	STANDARDIZE PRINT FORMAT(SeeCoverSheet)	01/26/06	JRK	CAD # MP0590-200-H		TOOL # P0590		Ferrite
D	REV PULL TAB TO MATCH PUR.PRINT 21216	04/08/05	JRK					
C	ADD NOTE #2	09/27/04	JRK					
B	ADD PART WEIGHT	04/06/04	TMB					
A	ORIGINAL DRAFT	02/20/04	JRK					
REV	DESCRIPTION	DATE	INT					

X-ON Electronics

Largest Supplier of Electrical and Electronic Components

Click to view similar products for [EMI Gaskets, Sheets, Absorbers & Shielding](#) *category:*

Click to view products by [Laird](#) *manufacturer:*

Other Similar products are found below :

[0097092102](#) [8101010140](#) [1194-14"X36YD](#) [1182-14"X18YD](#) [1245-34"X18YD](#) [1345-3/8x18yrd](#) [1380-2"X8"](#) [1554907-1](#) [227431-1](#)
[2320002000](#) [2320014700](#) [25-78FS-BD-24](#) [SG293037DS](#) [ST005PCN50](#) [3070-500-STD](#) [55005107](#) [10-40450-28](#) [1125-8X10](#) [1126X1"](#) [1170-](#)
[3/4X18YDS](#) [1170-7.7x10](#) [1183-12"X18YD](#) [6-34T-BD-0.315](#) [SG125187D-24](#) [SG125250R-24](#) [SG187375R-24](#) [SG284050DS](#) [KIT TECH](#)
[CLIP](#) [10-40450-28S](#) [46J8501020.NN00](#) [1170-1/4"x18yd](#) [AL-36FR-1x54.5](#) [55005106](#) [0137131400](#) [6-34UT-070-BD-16](#) [3070-500-RUB](#)
[HNY-LT15CU4241](#) [46W5E02520.NN00](#) [38M6040AA0606](#) [2101143-3](#) [BMI-S-206-C](#) [54-CBSU-24.0](#) [M83528/001F004](#) [SG295355D-48.00](#)
[SG080200R-48.00](#) [SG180400D-12](#) [SMS-203-M-F](#) [SMS-203-M-C](#) [8-25FSC-BD-16](#) [23-76FSC-SN-24](#)