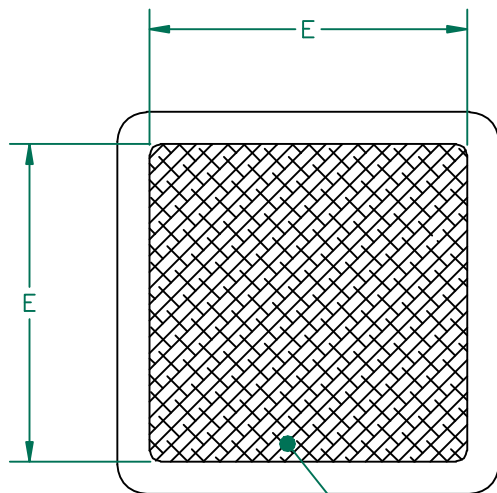


R 2.00 [.080]
4 PLCS



ADHESIVE TAPE

**UNCONTROLLED
DOCUMENT**

NOTES:

1. CORE: MP1040-1B0.
2. ADHESIVE: P/N 21228.
3. REFERENCE 3M TAPE 468MP ADHESIVE TRANSFER TAPE OR ENGINEER APPROVED ALTERNATIVE.

DIMENSIONS:

| | | |
|---|---------------|---------------|
| A | 26.42 [1.040] | ± 0.38 [.015] |
| B | 26.42 [1.040] | ± 0.38 [.015] |
| C | 1.27 [.050] | ± 0.15 [.006] |
| D | 0.13 [.005] | TYP. |
| E | 21.97 [.865] | TYP. |

WEIGHT/1000 4.36 kgs [9.62 Lbs]

| DIMENSIONS ARE IN mm [INCHES]. | | | | This print is the property of Laird Tech. and is loaned in confidence subject to return upon request and with the understanding that no copies shall be made without the written consent of Laird Tech. All rights to design or invention are reserved. | | | | |
|--------------------------------|--|----------|-----|---|--|--------------|-----------------------------|----------------------|
| REV | DESCRIPTION | DATE | INT | | | | | |
| G | CHANGE D DIMENSION | 07/09/09 | JRK | PROJECT/PART NUMBER: MP1040-100 | | REV G | PART TYPE: FERRITE PLATE | DRAWN BY: DTR |
| F | REMOVE PULLTAB REVISE NOTE #3 | 06/12/09 | JRK | DATE: 02/11/98 | | SCALE: 2 : 1 | | MATERIAL: Ferrite |
| E | UPDATE COMPANY LOGO & NOTE 3 | 12/11/08 | JRK | CAD # MP1040-100-G | | TOOL # P1040 | | |
| D | STANDARDIZE PRINT FORMAT | 09/22/05 | JRK | | | | | |
| C | RE-ACTIVATE PRINT UPDATE PRINT FORMAT, ADD NOTE | 09/27/04 | JRK | | | | | |
| B | UPDATE PRINT FORMAT, REVISED NOTES CHANGED DIM E, ADD NOTE 9 & CALL-OUT | 08/25/99 | JAJ | | | | | |
| A | ORIGINAL DRAFT | 02/11/98 | DTR | | | | | |
| REV | DESCRIPTION | DATE | INT | | | | | |

X-ON Electronics

Largest Supplier of Electrical and Electronic Components

Click to view similar products for [EMI Gaskets, Sheets, Absorbers & Shielding](#) category:

Click to view products by [Laird](#) manufacturer:

Other Similar products are found below :

[0097092102](#) [8101010140](#) [1194-14"X36YD](#) [1182-14"X18YD](#) [1245-34"X18YD](#) [1345-3/8x18yrd](#) [1380-2"X8"](#) [1554907-1](#) [227431-1](#)
[2320002000](#) [2320014700](#) [25-78FS-BD-24](#) [SG293037DS](#) [ST005PCN50](#) [3070-500-STD](#) [55005107](#) [10-40450-28](#) [1125-8X10](#) [1126X1"](#) [1170-](#)
[3/4X18YDS](#) [1170-7.7x10](#) [1183-12"X18YD](#) [6-34T-BD-0.315](#) [SG125187D-24](#) [SG125250R-24](#) [SG187375R-24](#) [SG284050DS](#) [KIT TECH](#)
[CLIP](#) [10-40450-28S](#) [46J8501020.NN00](#) [1170-1/4"x18yd](#) [AL-36FR-1x54.5](#) [55005106](#) [0137131400](#) [6-34UT-070-BD-16](#) [3070-500-RUB](#)
[HNY-LT15CU4241](#) [46W5E02520.NN00](#) [38M6040AA0606](#) [2101143-3](#) [BMI-S-206-C](#) [54-CBSU-24.0](#) [M83528/001F004](#) [SG295355D-48.00](#)
[SG080200R-48.00](#) [SG180400D-12](#) [SMS-203-M-F](#) [SMS-203-M-C](#) [8-25FSC-BD-16](#) [23-76FSC-SN-24](#)