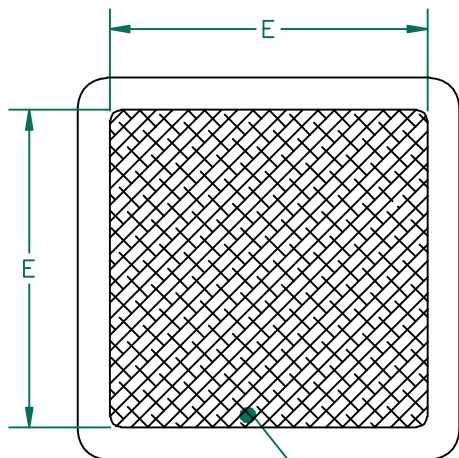


R 2.00 [.080]
4 PLCS



ADHESIVE TAPE

**UNCONTROLLED
DOCUMENT**

NOTES:

1. CORE: MP1040-2B0.
2. ADHESIVE: P/N 21228
3. REFERENCE 3M TAPE 468MP ADHESIVE TRANSFER TAPE OR ENGINEER APPROVED ALTERNATIVE.

DIMENSIONS

A	26.42 [1.040]	±	0.38 [.015]
B	26.42 [1.040]	±	0.38 [.015]
C	1.91 [.075]	±	0.13 [.005]
D	0.13 [.005]		TYP.
E	21.97 [.865]		TYP.

WEIGHT/1000 6.55 kgs [14.43 Lbs]

DIMENSIONS ARE IN mm [INCHES].				This print is the property of Laird Tech. and is loaned in confidence subject to return upon request and with the understanding that no copies shall be made without the written consent of Laird Tech. All rights to design or invention are reserved.	
H	CHANGE D DIMENSION	07/09/09	JRK		
G	REMOVE PULLTAB REVISE NOTE #3	06/12/09	JRK		
F	UPDATE COMPANY LOGO AND NOTE #3	12/11/08	JRK		
E	COR. P/N IN 1:1 REV C DIM & TOLERANCE	01/23/06	JRK		
D	STANDARDIZE PRINT FORMAT(SEE COVER SHT)	09/22/05	JRK		
C	RE-ACTIVATE PRINT UPDATE PRINT FORMAT CHANGE P/N FROM *P1040-*	10/05/04	JRK	PROJECT/PART NUMBER:	MP1040-200
B	UPDATE PRINT FORMAT, ADD NOTE 1 & 2 ADDED NOTE 8 & AND CALL-OUT	08/26/99	JAJ	REV	H
A	ORIGINAL DRAFT	02/12/98	DTR	PART TYPE:	FERRITE PLATE
REV	DESCRIPTION	DATE	INT	DRAWN BY:	DTR
		DATE:	02/12/98	SCALE:	2 : 1
		CAD #	MP1040-200-H	MATERIAL:	Ferrite
		TOOL #	P1040		

X-ON Electronics

Largest Supplier of Electrical and Electronic Components

Click to view similar products for [EMI Gaskets, Sheets, Absorbers & Shielding](#) category:

Click to view products by [Laird](#) manufacturer:

Other Similar products are found below :

[0097092102](#) [8101010140](#) [1194-14"X36YD](#) [1182-14"X18YD](#) [1245-34"X18YD](#) [1345-3/8x18yrd](#) [1380-2"X8"](#) [1554907-1](#) [227431-1](#)
[2320002000](#) [2320014700](#) [25-78FS-BD-24](#) [SG293037DS](#) [ST005PCN50](#) [3070-500-STD](#) [55005107](#) [10-40450-28](#) [1125-8X10](#) [1126X1"](#) [1170-](#)
[3/4X18YDS](#) [1170-7.7x10](#) [1183-12"X18YD](#) [6-34T-BD-0.315](#) [SG125187D-24](#) [SG125250R-24](#) [SG187375R-24](#) [SG284050DS](#) [KIT TECH](#)
[CLIP](#) [10-40450-28S](#) [46J8501020.NN00](#) [1170-1/4"x18yd](#) [AL-36FR-1x54.5](#) [55005106](#) [0137131400](#) [6-34UT-070-BD-16](#) [3070-500-RUB](#)
[HNY-LT15CU4241](#) [46W5E02520.NN00](#) [38M6040AA0606](#) [2101143-3](#) [BMI-S-206-C](#) [54-CBSU-24.0](#) [M83528/001F004](#) [SG295355D-48.00](#)
[SG080200R-48.00](#) [SG180400D-12](#) [SMS-203-M-F](#) [SMS-203-M-C](#) [8-25FSC-BD-16](#) [23-76FSC-SN-24](#)