

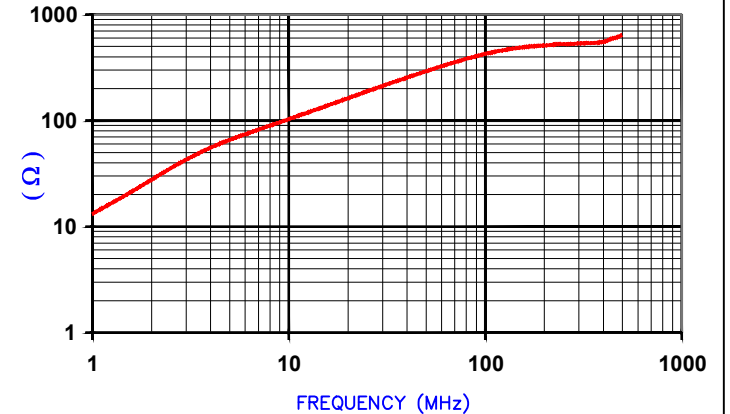
CORE DIMENSIONS:

A	51.31 [2.020]	±	0.77 [.030]
B	25.40 [1.000]	±	0.38 [.015]
C	39.67 [1.562]	±	0.77 [.030]
D	25.65 [1.010]	±	0.30 [.012]

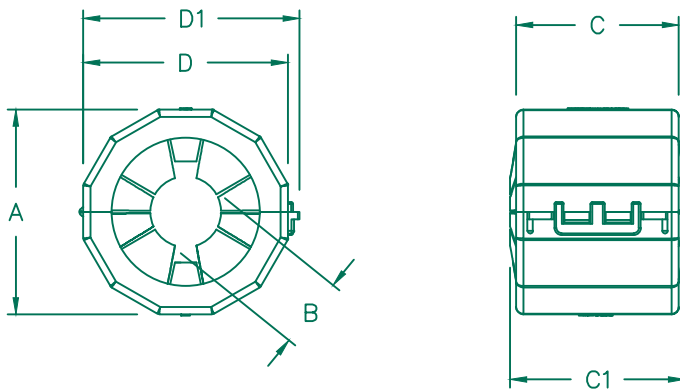


IMPEDANCE (Z)			
Frequency	25 MHz	100 MHz	300 MHz
Nominal (REF)	187 Ω	425 Ω	533 Ω
Minimum	- Ω	340 Ω	- Ω

Z vs. FREQUENCY
(REF. ONLY)



AGILENT E4991A Impedance/Material Analyzer
HP 16092A-Test Fixture. TEST REF. 5108




CASE DIMENSIONS:

A	56.64 [2.230]	±	REF.
B	19.50 [.768]	±	REF.
C	45.00 [1.772]	±	REF.
C1	48.34 [1.903]	±	REF.
D	56.63 [2.230]	±	REF.
D1	59.83 [2.356]	±	REF.

NOTES:

1. ASSEMBLED PART #: 28A5131-0A2
2. CASE COLOR: BLACK-0A2.
3. CASE FLAMMABILITY RATING: UL94 V-0.
4. CASE MATERIAL: Halogen Free Nylon
5. COSMETIC SPECIFICATION REFER TO WI-QA-038.

DIMENSIONS ARE IN mm [INCHES].				This print is the property of Laird Tech. and is loaned in confidence subject to return upon request and with the understanding that no copies shall be made without the written consent of Laird Tech. All rights to design or invention are reserved.					
F	UPDATE COMPANY LOGO , ADD NOTE 5	08/23/14	QIU						
E	UPDATE COMPANY LOGO ADD NOTES 3&4	01/26/09	JRK						
D	UPDATE 100MHz MINIMUM VALUE	07/17/07	TMB						
C	UPDATE COMPANY LOGO	04/17/07	TMB						
B	CHANGE CASE TOLERANCES TO REF. REMOVE CORE & CASE P/N REFERENCE REMOVE ISO VIEW AND NOTES "2" & '3"	10/18/06	TMB						
A	ORIGINAL DRAFT	09/13/05	TMB	PROJECT/PART NUMBER: 28A5131-0A2					
REV	DESCRIPTION	DATE	INT	DATE:	09/13/05	SCALE:	N.T.S.	MATERIAL:	Ferrite
				CAD #	28A5131-0A2-F	TOOL #	-		

X-ON Electronics

Largest Supplier of Electrical and Electronic Components

Click to view similar products for [Ferrite Clamp On Cores](#) category:

Click to view products by [Laird Connectivity](#) manufacturer:

Other Similar products are found below :

[CS28B0984](#) [CS28B1501](#) [CV28B1642](#) [RA33B4340](#) [AS20B2034](#) [IL25B0642K](#) [SA28B0121](#) [SS33B2033](#) [CF28B1642](#) [HI28B2039](#)
[RA33B2480](#) [CS28B0642](#) [CS33B0984](#) [TC28B0805](#) [TC28B0937](#) [TC33B0984](#) [432703037561](#) [USB28B2034](#) [4327 018 21641](#) [CF28B0642](#)
[SS33B2035](#) [TC28B2000](#) [CF28B1937](#) [TC28B0617](#) [SS33B2032](#) [TC20B1500](#) [SS25B2032](#) [SS20B2034](#) [RA25B2480](#) [PM28B0686](#)
[CW28B0642](#) [CV28B1984](#) [7427143](#) [RA20B1729](#) [CS33B4000](#) [TC33B0805](#) [SS33B2040](#) [TC28B1501](#) [AS33B2036](#) [AS25B2032](#) [SE28B4340](#)
[TC28B0550](#) [CS25B2000](#) [74272591](#) [74272592](#) [AS25B2036](#) [AS28B2027](#) [28A0392-0A2](#) [28A0592-0A2](#) [28A0593-0A2](#)