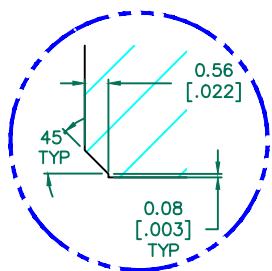


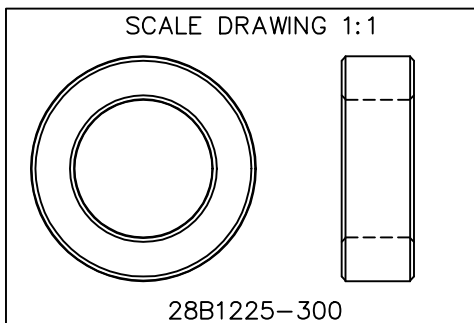
SEE DETAIL "A"  
SECTION A-A



DETAIL "A"  
CHAMFER  
SCALE=4:1

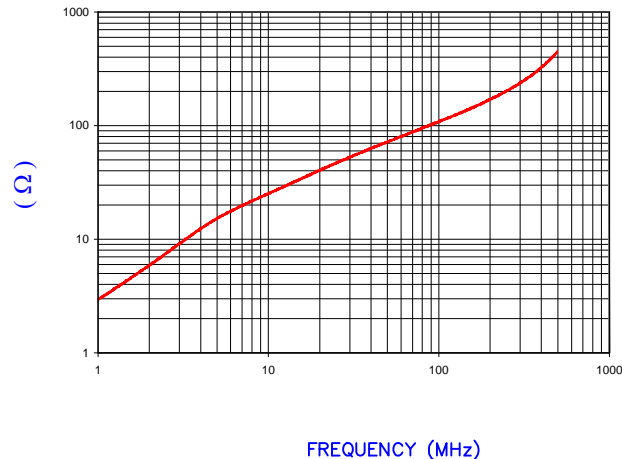
NOTES: UNLESS OTHERWISE SPECIFIED

1. COSMETIC SPECIFICATION REFER TO WI-QA-038.



IMPEDANCE ( Z )			
Frequency	25 MHz	100 MHz	300 MHz
Nominal (REF)	46 Ω	110 Ω	240 Ω
Minimum	- Ω	88 Ω	- Ω

Z vs. FREQUENCY  
(REF. ONLY)



AGILENT E4991A Impedance/Material Analyzer  
HP 16092A Test Fixture

FERRITE CORE DIMENSIONS (SPEC): mm/inches

A	31.12 [1.225]	± 0.61 [0.024]
B	19.05 [0.750]	± 0.41 [0.016]
C	10.00 [0.394]	± 0.30 [0.012]

WEIGHT/1000 23.25 kgs [51.26Lbs]

DIMENSIONS ARE IN mm [INCHES].				This print is the property of Laird Tech. and is loaned in confidence subject to return upon request and with the understanding that no copies shall be made without the written consent of Laird Tech. All rights to design or invention are reserved.			
REV	DESCRIPTION	DATE	INT				
D	UPDATE COMPANY LOGO	05/22/15	QIU	PROJECT/PART NUMBER:		REV	DRAWN BY:
C	UPDATE FORMAT & Z SPECS AND CURVE	07/22/03	JRK	28B1225-300		D	JRK
B	UPDATE FORMAT, ADD NOTE # 1 UPDATE Z SPECS	05/09/02	JRK	DATE:	04/26/02	SCALE:	1 : 1
A	ORIGINAL DRAFT	04/26/02	JRK	CAD #	28B1225-300-D	TOOL #	B1225
REV	DESCRIPTION	DATE	INT			MATERIAL: FERRITE	

## X-ON Electronics

Largest Supplier of Electrical and Electronic Components

*Click to view similar products for [Ferrite Cable Cores](#) category:*

*Click to view products by [Laird Connectivity](#) manufacturer:*

Other Similar products are found below :

[FB73-422](#) [FX28R0984-0](#) [FX28R0984-2](#) [AB 3X2X3SM](#) [2643164251](#) [2643665709](#) [2661626402](#) [28R1127](#) [28R1260](#) [28R1575](#) [SM28R0760](#)  
[2631006302](#) [2643165451](#) [2643178351](#) [28R0760](#) [SS7X4X3W](#) [4327 030 16141](#) [2643103102](#) [2643164151](#) [2943666671](#) [2643163851](#)  
[28B1101](#) [SM28R1575](#) [2643625902](#) [2643626102](#) [2643480009](#) [2673069901](#) [28B0268-000](#) [28B0375-100](#) [28B0375-300](#) [28B0375-400](#)  
[28B0500-100](#) [28B0562-000](#) [28B0562-200](#) [28B0625-100](#) [28B1020-100](#) [28B1417-200](#) [28R1101-000](#) [28R1102-100](#) [28R1127-500](#) [28R0453-](#)  
[200](#) [28R0669-000](#) [28R0756-200](#) [28R0480-000](#) [28R1127-000](#) [28R0984-200](#) [28R2170-100](#) [28R0592-010](#) [28R0756-000](#) [28R0984-000](#)