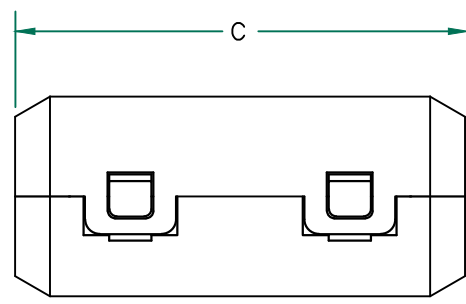
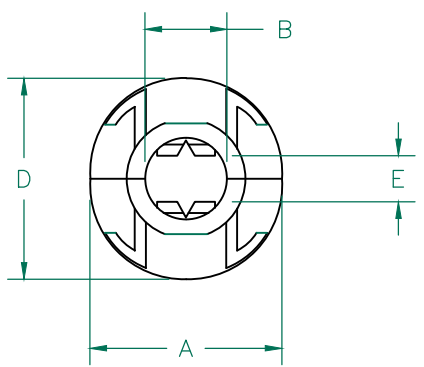


CORE DIMENSIONS:

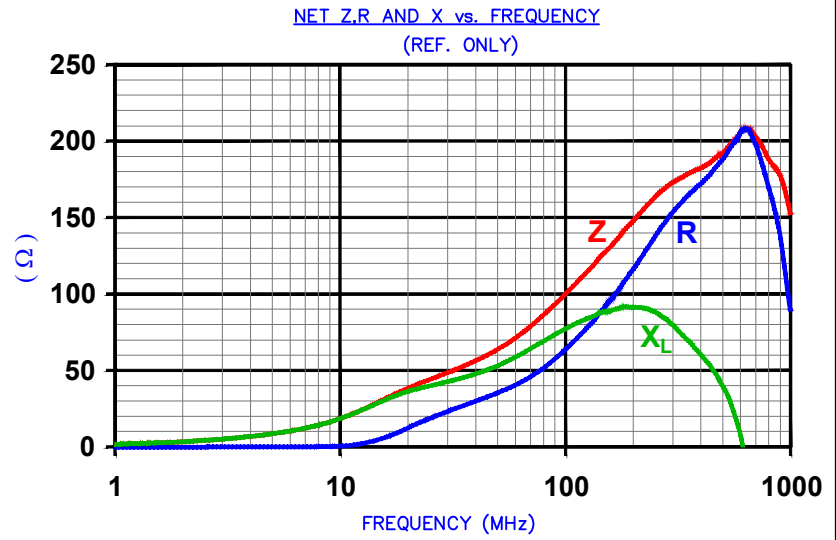
A	9.96 [.392]	±	0.15 [.006]
B	3.51 [.138]	±	0.13 [.005]
C	20.00 [.787]	±	0.25 [.010]
D	4.54 [.179]	±	0.13 [.005]



CASE DIMENSIONS:

A	13.0 [.511]	±	REF.
B	3.50 [.138]	±	REF.
C	25.20 [.992]	±	REF.
D	11.50 [.453]	±	REF.
E	2.42 [.095]	±	REF.

NET IMPEDANCE (Z)			
Frequency	300 MHz	500 MHz	1 GHz
Nominal (REF)	172 Ω	192 Ω	150 Ω
Minimum	- Ω	163 Ω	- Ω



AGILENT E4991A Impedance/Material Analyzer
HP 16092A-Test Fixture REF5884

NOTES:

- ASSEMBLED PART #: HFA100035-0A2.
- CASE COLOR: BLACK-0A2.
- Cosmetic specification refer to WI-QA-038.

DIMENSIONS ARE IN mm [INCHES].				This print is the property of Laird Tech. and is loaned in confidence subject to return upon request and with the understanding that no copies shall be made without the written consent of Laird Tech. All rights to design or invention are reserved.		Laird	
D	UPDATED LOGO	03/13/13	QIU	PROJECT/PART NUMBER:		REV	DRAWN BY:
C	UPDATE COMPANY LOGO	04/16/07	TMB	HFA100035-0A2		D	TMB
B	ADD Z SPEC VALUES AND Z,R,X CURVE	03/13/07	TMB	DATE:	12/01/06	SCALE:	2 : 1
A	ORIGINAL DRAFT	12/01/06	TMB	CAD #	HFA100035-0A2-D	TOOL #	-
REV	DESCRIPTION	DATE	INT			MATERIAL: FERRITE	

X-ON Electronics

Largest Supplier of Electrical and Electronic Components

Click to view similar products for [Ferrite Clamp On Cores](#) category:

Click to view products by [Laird Connectivity](#) manufacturer:

Other Similar products are found below :

[CS28B0984](#) [CS28B1501](#) [CV28B1642](#) [RA33B4340](#) [AS20B2034](#) [IL25B0642K](#) [SA28B0121](#) [SS33B2033](#) [CF28B1642](#) [HI28B2039](#)
[RA33B2480](#) [CS28B0642](#) [CS33B0984](#) [TC28B0805](#) [TC28B0937](#) [TC33B0984](#) [USB28B2034](#) [4327 018 21641](#) [CF28B0642](#) [SS33B2035](#)
[TC28B2000](#) [CF28B1937](#) [TC28B0617](#) [SS33B2032](#) [TC20B1500](#) [SS25B2032](#) [SS20B2034](#) [RA25B2480](#) [PM28B0686](#) [CW28B0642](#)
[CV28B1984](#) [7427143](#) [RA20B1729](#) [CS33B4000](#) [TC33B0805](#) [SS33B2040](#) [TC28B1501](#) [AS33B2036](#) [AS25B2032](#) [SE28B4340](#) [TC28B0550](#)
[CS25B2000](#) [74272591](#) [74272592](#) [AS25B2036](#) [AS28B2027](#) [28A0392-0A2](#) [28A0592-0A2](#) [28A0593-0A2](#) [28A0640-0A2](#)