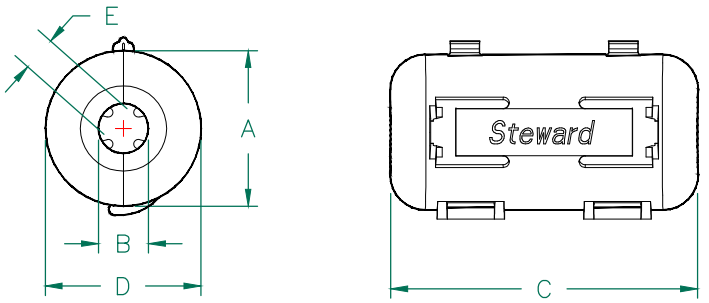




CORE DIMENSIONS(SPEC): mm [in]

A	14.99 [.590]	±	0.23 [.009]
B	6.76 [.266]	±	0.25 [.010]
C	28.83 [1.135]	±	0.51 [.020]
D	7.49 [.295]	±	0.18 [.007]



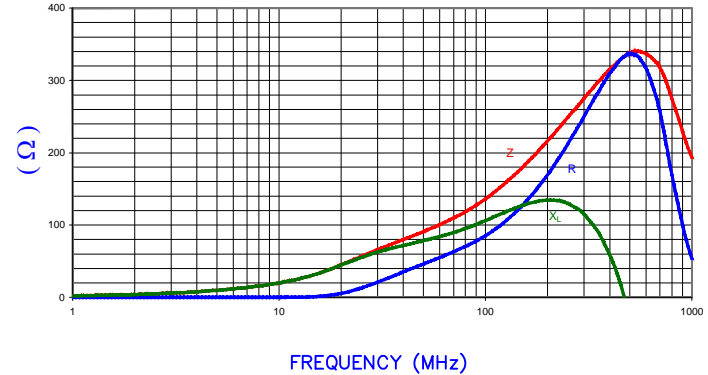
CASE DIMENSIONS(SPEC): mm [in]

A	21.00 [.827]	±	0.25 [.010]
B	6.80 [.268]	±	0.25 [.010]
C	41.70 [1.642]	±	0.50 [.020]
D	21.00 [.827]	±	0.50 [.020]
E	4.85 [.191]	±	Ref.

*NET IMPEDANCE (Z)			
Frequency	300 MHz	500 MHz	1 GHz
Nominal (REF)	275 Ω	340 Ω	200 Ω
Minimum	- Ω	272 Ω	- Ω

* NET IMPEDANCE IS IMPEDANCE OF THE FERRITE CORE ONLY. ALL IMPEDANCE CONTRIBUTION FROM TEST WIRE AND FIXTURES HAS BEEN REMOVED.

NET Z,R AND X vs. FREQUENCY (REF. ONLY)



AGILENT E4991A Impedance/Material Analyzer
HP 16092A-Test Fixture REF 2927

NOTES:

- ASSEMBLED PART #: HFA150068-0A2
- CASE COLOR: BLACK - "0A2"

DIMENSIONS ARE IN mm[INCHES].				This print is the property of Laird Tech. and is loaned in confidence subject to return upon request and with the understanding that no copies shall be made without the written consent of Laird Tech. All rights to design or invention are reserved.		Laird	
C	UPDATED LOGO	03/13/13	QIU	PROJECT/PART NUMBER:	REV	PART TYPE:	DRAWN BY:
B	REMOVE NOTES 1, 3, & 5 REMOVE CORE & CASE P/Ns REV CASE DIMS & TOLS ADD DIM E TO CASE ADJUST CORE DIM B, C, & D TOLERANCES	05/15/06	TMB	HFA150068-0A2	C	FERRITE SNAP-ON	JRK
A	ORIGINAL DRAFT	09/02/04	JRK	DATE:	SCALE:	MATERIAL:	
REV	DESCRIPTION	DATE	INT	09/02/04	NTS	NiZn Ferrite	
				CAD #	TOOL #		
				HFA150068-0A2-C			

X-ON Electronics

Largest Supplier of Electrical and Electronic Components

Click to view similar products for [Ferrite Clamp On Cores](#) category:

Click to view products by [Laird Connectivity](#) manufacturer:

Other Similar products are found below :

[CS28B0984](#) [CS28B1501](#) [CV28B1642](#) [RA33B4340](#) [AS20B2034](#) [IL25B0642K](#) [SA28B0121](#) [SS33B2033](#) [CF28B1642](#) [HI28B2039](#)
[RA33B2480](#) [CS28B0642](#) [CS33B0984](#) [TC28B0805](#) [TC28B0937](#) [TC33B0984](#) [432703037561](#) [USB28B2034](#) [4327 018 21641](#) [CF28B0642](#)
[SS33B2035](#) [TC28B2000](#) [CF28B1937](#) [TC28B0617](#) [SS33B2032](#) [TC20B1500](#) [SS25B2032](#) [SS20B2034](#) [RA25B2480](#) [PM28B0686](#)
[CW28B0642](#) [CV28B1984](#) [7427143](#) [RA20B1729](#) [CS33B4000](#) [TC33B0805](#) [SS33B2040](#) [TC28B1501](#) [AS33B2036](#) [AS25B2032](#) [SE28B4340](#)
[TC28B0550](#) [CS25B2000](#) [74272591](#) [74272592](#) [AS25B2036](#) [AS28B2027](#) [28A0392-0A2](#) [28A0592-0A2](#) [28A0593-0A2](#)