

# MULL12060-200

## PHYSICAL DIMENSIONS:

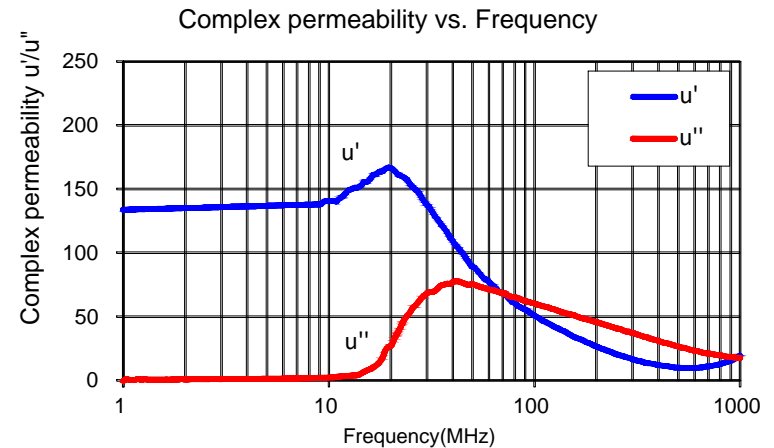
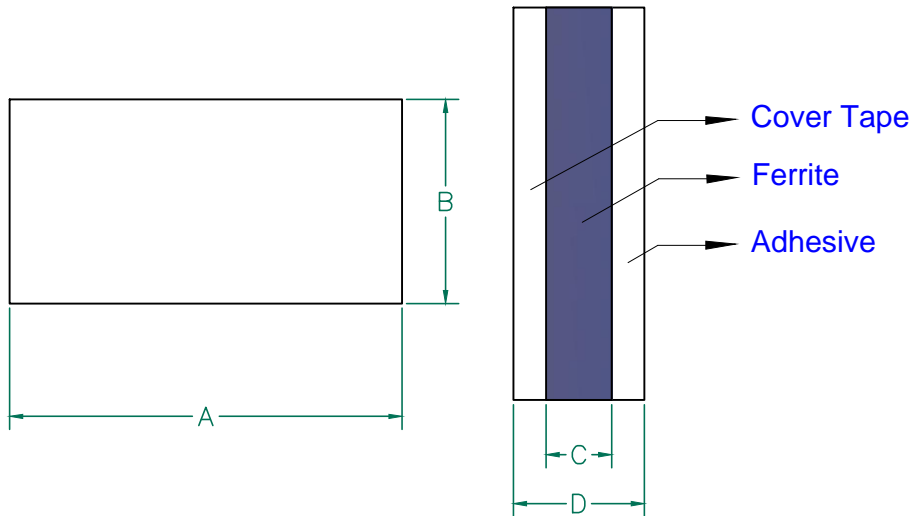
A	120.0[4.724]	±	2.00[.0787]
B	60.0[2.362]	±	2.00[.0787]
C	0.10[0.004]	±	0.02[.0008]
D	0.20[0.008]		MAX

RoHS

## ELECTRICAL CHARACTERISTICS:

Initial Permeability ( $\mu'$ ) (13.56MHz)	150±20%
Initial Permeability ( $\mu''$ ) (13.56MHz)	5 Max

## PRODUCTS SHAPE AND DIMENSIONS



MEASURED BY ANGILENT E4991A , 1Ts .

## NOTES: UNLESS OTHERWISE SPECIFIED

1. OPERATING TEMPERATURE RANGE  $-40^{\circ}\text{C}$  TO  $85^{\circ}\text{C}$ .
2. FLEXIBLE FERRITE SHEET.
3. D IS MEASURED AFTER REMOVING PAPER LINER OF ADHESIVE

DIMENSIONS ARE IN mm [INCHES].				This print is the property of Laird Tech. and is loaned in confidence subject to return upon request and with the understanding that no copies shall be made without the written consent of Laird Tech. All rights to design or invention are reserved.				<b>Laird</b>	
				PROJECT/PART NUMBER: <b>MULL12060-200</b>		REV <b>A</b>	PART TYPE: <b>CO-FIRE</b>	DRAWN BY: <b>QU</b>	
				DATE: <b>10/08/14</b>		SCALE: <b>NTS</b>		SHEET: <b>1 of 1</b>	
<b>A</b>	<b>ORIGINAL DRAFT</b>	<b>10/08/14</b>	<b>QU</b>	CAD #		TOOL #			
REV	DESCRIPTION	DATE	INT	MULL12060-200-A					

## X-ON Electronics

Largest Supplier of Electrical and Electronic Components

*Click to view similar products for [EMI Gaskets, Sheets, Absorbers & Shielding](#) category:*

*Click to view products by [Laird Connectivity](#) manufacturer:*

Other Similar products are found below :

[8101010140](#) [8563-0090-89](#) [1194-7.7X10](#) [1245-34"X18YD](#) [1267](#) [1345-3/8x18yrd](#) [1554907-1](#) [2320002000](#) [2320014700](#) [SG293037DS](#)  
[ST005PCN50](#) [55005107](#) [38M4040AA0606](#) [46J5N02020.NN00](#) [1125-8X10](#) [1126X1"](#) [1170-3/4X18YDS](#) [1170-7.7x10](#) [1183-12"X18YD](#) [6-](#)  
[34T-BD-0.315](#) [SG125187D-24](#) [SG125250R-24](#) [SG187375R-24](#) [SG284050DS](#) [8402010540](#) [KIT TECH CLIP](#) [10-40450-28S](#) [1245](#) [1267-](#)  
[1/2"x18yd](#) [46J8501020.NN00](#) [1170-1/4"x18yd](#) [AL-36FR-1x54.5](#) [3013310A](#) [1194X1"](#) [3020604](#) [3021302](#) [3031313](#) [260709](#) [3021310](#) [6-](#)  
[34UT-070-BD-16](#) [303076048](#) [46J5N03020.NN00](#) [30206025](#) [30395641](#) [3030403](#) [3690103020](#) [HNY-LT15CU4241](#) [46X7503020.NN00](#)  
[46W5E02520.NN00](#) [302095032](#)