



Americas: +1.919.597.7300
Europe: +46.31.420530
Asia: +86.755.2714.1166
ets.sales@lairdtech.com
www.lairdtech.com

The PR-59 temperature controller is designed for reversible (cooling/heating) control of thermoelectric assemblies requiring precise temperature control accuracy. The controller not only regulates the temperature, but also features two programmable fan outputs and an alarm output relay. The controller can be used as a stand-alone unit interface with RS-232 to read and control parameters and settings in real-time. An easy-to-use PC software is included for programming and visual review of output parameters. Custom configurations can be accommodated, however MOQ applies.

FEATURES

- Operation in cooling and heating modes
- Regulation mode is user selectable & configurable (PID, ON/OFF, POWER)
- Input power range can accommodate 11 - 30 VDC
- Programmable set point (via pc, or potentiometer)
- Outputs are available for fan, thermoelectric module, NTC thermistor or PT1000 sensors, alarm and LEDs
- RS-232 Communication
- Graphical User Interface that runs on Windows

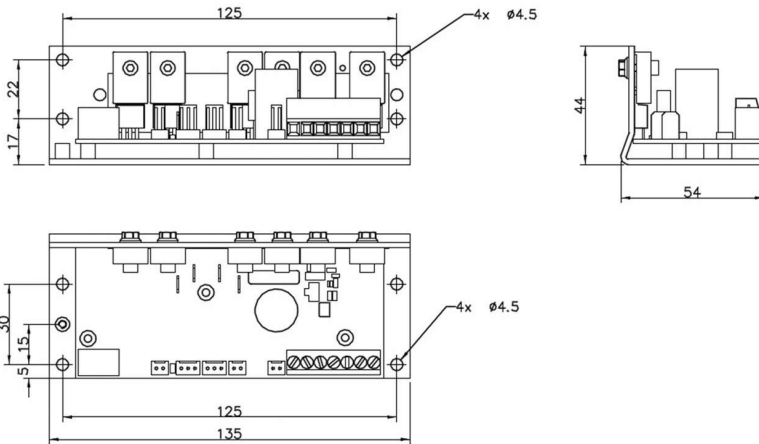
BENEFITS

- Real-time control of regulator parameters and temperature readings via RS232 interface
- Stand alone operation
- Control temperature, from -20°C to + 100°C (-4 to +212°F) with the standard NTC sensor. Other temperature range possible with other (NTC, PT1000) sensors
- Configurable alarms
- Temperature resolution of max 0.05°C
- Use NTC or PT1000 sensors
- Pulse width modulation of output: (Base Frequency of 10 kHz)
- Control Stability of $\pm 0.05^\circ\text{C}$ (-20°C to +50°C)
- Two alarm temperature sensor inputs with adjustable alarm set points
- Alarm relay output, normally closed (will open on alarm); 1 A @ 24 VDC/120 VAC
- Adjustable Fan Speed

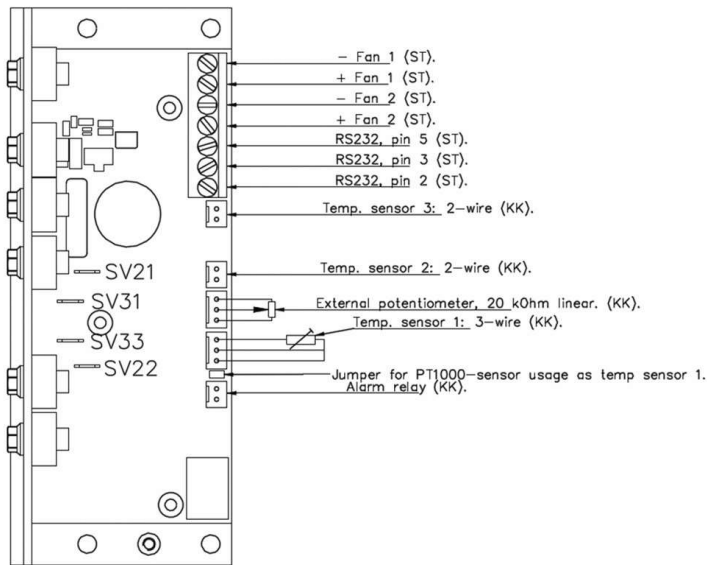
MARKETS

- Medical diagnostics
- Analytical instrumentation
- Photonics laser systems
- Electronic enclosure cooling
- Chillers (liquid cooling)

| | |
|-------------------------------|--|
| Power | |
| Voltage | 10 to 30 VDC |
| Current | 15 A (30 A with additional cooling) |
| Power | Up to 900 W (with additional cooling) |
| User Interface | |
| | Graphical User Interface PC program External Potentiometer (optional) |
| Sensors | |
| Temp 1 Sensor | NTC or PT1000 |
| Temp 2 Sensor | NTC |
| Temp 3 Sensor | NTC |
| Temp 4 Sensor | NTC (onboard) |
| Outputs | |
| Thermoelectric Module | PWM, 0-Supply Voltage @ <=15 A (30 A with additional cooling) |
| Fan 1 | Linearly Regulated: 0-Supply Voltage @ 2 A |
| Fan 2 | Linearly Regulated: 0-Supply Voltage @ 2 A |
| Alarm Relay | 1 A @ 24 VDC/120 VAC (will open on alarm) |
| LED | Regulator Voltages, Regulator Activity, Alarm, Relay Status |
| Alarms | |
| Low Voltage | If voltage is lower than programmed minimum level the outputs are shut down, the Alarm LED is turned on and the Alarm Relay is opened |
| High Voltage | If voltage is higher than programmed maximum level the outputs are shut down, the Alarm LED is turned on and the Alarm Relay is opened |
| Thermoelectric Current | |
| Over | If the Current is higher than the programmed maximum level the outputs are shut down, the Alarm LED is turned on and the Alarm Relay is opened |
| Under | If the Current is lower than the programmed minimum level the outputs are shut down, the Alarm LED is turned on and the Alarm Relay is opened |
| Fans 1 & 2 Current | |
| Over | If the Current is higher than the programmed maximum level the outputs are shut down, the Alarm LED is turned on and the Alarm Relay is opened |
| Under | If the Current is lower than the programmed minimum level the outputs are shut down, the Alarm LED is turned on and the Alarm Relay is opened |
| Temp Sensors 1 | |
| Over | If the temperature is higher than the programmed maximum level turn on Alarm LED |
| Under | If the temperature is lower than the programmed minimum level turn on the Alarm LED |
| Temp Sensors 2, 3, 4 | |
| Over | If the temperature is higher than the programmed maximum level the outputs are shut down, the Alarm LED is turned on and the Alarm Relay is opened |
| Under | If the temperature is lower than the programmed minimum level the outputs are shut down, the Alarm LED is turned on and the Alarm Relay is opened |



INPUT/OUTPUT DESCRIPTION



NOTES

1. NTC - 1 thermistor included
2. Mounting hardware is not included. Clearance holes available to accommodate M4 machine hardware or standoffs
3. Mating connectors are not included. For input power connections (SV21,SV31,SV33,SV22) use 0.250" fast-on style terminal
For temperature sensors, external potentiometer and alarm relay use Molex KK 2695, 6471, or 7880 Series connectors. Au plating is recommended on mating pin terminals.

LAIRD-ETS-TC-XX-PR-59-DATA-SHEET-042817

Any information furnished by Laird Technologies, Inc. and its agents is believed to be accurate and reliable. All specifications are subject to change without notice. Responsibility for the use and application of Laird Technologies materials rests with the end user. Laird Technologies makes no warranties as to the fitness, merchantability, suitability or non- infringement of any Laird Technologies materials or products for any specific or general uses. Laird Technologies shall not be liable for incidental or consequential damages of any kind. All Laird Technologies products are sold pursuant to the Laird Technologies' Terms and Conditions of sale in effect from time to time, a copy of which will be furnished upon request. © Copyright 2016 Laird Technologies, Inc. All Rights Reserved. Laird, Laird Technologies, the Laird Technologies Logo, and other marks are trademarks or registered trademarks of Laird Technologies, Inc. or an affiliate company thereof. Other product or service names may be the property of third parties. Nothing herein provides a license under any Laird Technologies or any third party intellectual property rights.

X-ON Electronics

Largest Supplier of Electrical and Electronic Components

Click to view similar products for [Thermoelectric Assemblies](#) category:

Click to view products by [Laird Connectivity](#) manufacturer:

Other Similar products are found below :

[C3400-154](#) [HEX020VA](#) [HEX150PC](#) [HEX160PA](#) [HEX200PC](#) [HEX150PB](#) [HEX060PA](#) [HEX200PB](#) [HEX050QA](#) [TEC1-12730](#) [TEC1-04908](#)
[TEC1-06310](#) [TEC1-07103](#) [HEX050PA](#) [HEX080QA](#) [371061,01](#) [MBS HH](#) [387004204](#) [TEC1-06308](#) [TEC1-06306](#) [CM036-20002N](#) [CM036-20003N](#) [TEMA-AA-50-12](#) [TEMA-AA-50-24](#) [TEMA-AP-40-12](#) [DA-044-12-02-00-00](#) [LA-075-24-02-00-00](#) [TC-18-QC-50](#) [AA-060-24-22-00-00](#) [TC-18-QE-50](#) [LA-045-12-02-00-00](#) [DA-160-24-02-00-00](#) [AA-150-24-22-00-00](#) [AA-040-24-22-00-00](#) [AA-034-12-22-00-00](#) [AA-019-12-22-00-00](#) [387000176](#) [WL 500](#) [AA-026-12-22-00-00](#) [DA-033-12-02-00-00](#) [DA-075-12-02-00-00](#) [DA-075-24-02-00-00](#) [DL-120-24-00-00-00](#) [DL-210-24-00-00-00](#) [TC-NTC-1](#) [TC-NTC-2](#) [385910-043](#) [385911-015](#) [387002415](#)