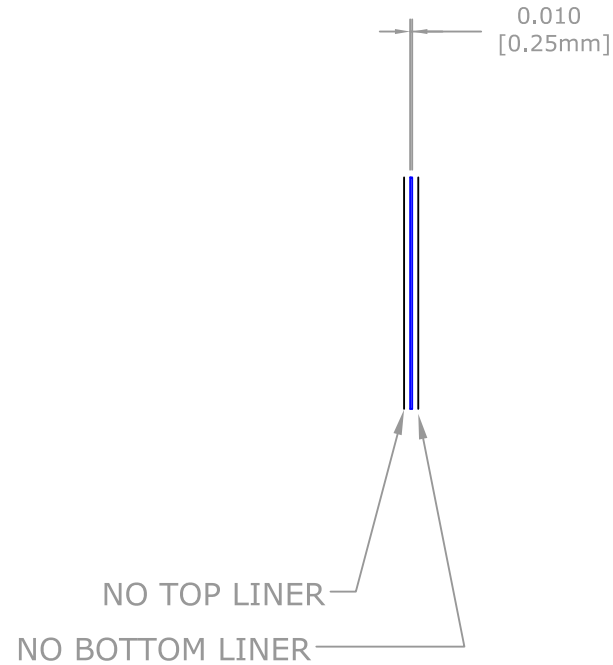
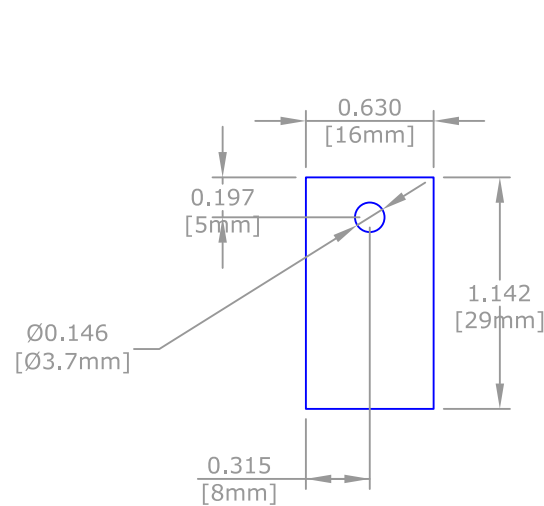


NOTES:

1. DIE U021041-32-U1
2. SEE WORK ORDER PROCESSING DETAILS

REVISION CHANGES				
REV	DESCRIPTION	DATE	ECR	BY
A0	INITIAL RELEASE	4/29/19	007278	JS



\* CAD MAINTAINED DRAWING \*  
 MANUAL CHANGES UNAUTHORIZED.  
 PRINTED COPIES OF THIS DOCUMENT  
 ARE CONSIDERED UNCONTROLLED

DUAL DIMENSIONS IF SHOWN ARE  
 FOR REFERENCE ONLY AND ARE  
 DISPLAYED IN 3 PLACES FOR  
 CONVERSION PURPOSES ONLY.

PRODUCTION DRAWING  
 REVISION CONTROLLED  
 DOCUMENT

UNLESS OTHERWISE SPECIFIED;  
 DO NOT SCALE DRAWING.  
 DIMENSIONS ARE IN INCHES

TOLERANCES:  
 ±0.020in(0.5mm)

ANGLES TOLERANCE:  
 ANGLES ± 0.5°



3RD ANGLE  
 PROJECTION



SCALE: DNS SHEET 1 OF 1 SIZE: B

MATERIAL: Tgard 210,A0  
 THICKNESS: 0.010in  
 SHEET SIZE: 17x16in  
 PARTS/SHEET: 350  
 FINISH: N/A

PART DESCRIPTION:  
 Tgard 210,A0  
 16.00x29.00mm,IRR,

CUSTOMER: MOUSER ELECTRONICS

CUSTOMER P/N

INFORMATION CONTAINED IN THIS DOCUMENT IS CONFIDENTIAL AND PROPRIETARY TO LAIRD TECHNOLOGIES.  
 IT MAY NOT BE DISCLOSED TO ANYONE WITHOUT WRITTEN AUTHORIZATION FROM LAIRD TECHNOLOGIES

PART NUMBER:  
 U021041-32-U1

DRAWN BY: JSANTANA DATE: 4/29/19

APPROVED BY: N/A DATE: N/A

A0

## X-ON Electronics

Largest Supplier of Electrical and Electronic Components

*Click to view similar products for [Thermal Interface Products](#) category:*

*Click to view products by [Laird Performance Materials](#) manufacturer:*

Other Similar products are found below :

[7721-9PPS](#) [FGN80-2](#) [PFM-172-60](#) [A-40](#) [174-9-230P](#) [9601-7](#) [5300AC](#) [1.500G](#) [08133](#) [V6622C](#) [TVQF-1225-07S](#) [TP0001](#) [4860](#) [SC80-W2](#)  
[V6516C](#) [A17536-04](#) [A17713-06](#) [A17713-05](#) [A17653-05](#) [A17690-06](#) [A17689-04](#) [A17775-03](#) [A17690-05](#) [A17653-02](#) [A17689-02](#) [A17690-04](#) [A17775-05](#) [A17775-06](#) [A17690-08](#) [A17690-02](#) [A17689-06](#) [A17653-06](#) [A17690-12](#) [A17653-03](#) [A17536-02](#) [A17689-03](#) [A17536-10](#)  
[A17752-13](#) [A17752-04](#) [A17752-07](#) [A17634-12](#) [19-36565-0001-1](#) [A17752-09](#) [22000-001A](#) [A17752-20](#) [A17752-16](#) [A17752-12](#) [A17653-04](#)  
[A17634-10](#) [A17634-09](#) [A17634-07](#)