

Czujniki Indukcyjne M12 Zwiększona czułość (seria Y)

LR12X

10-30VDC 3 Wires

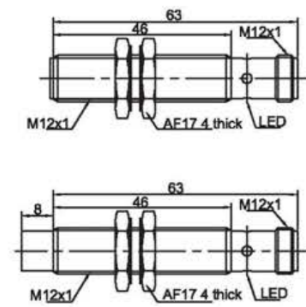
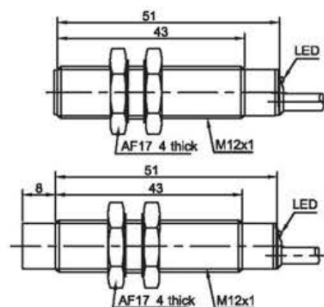
| Item Code | LR12X | | LR12X | |
|------------------|-----------|---------------|-----------|---------------|
| Mounting | ● Flushed | ⦿ Non-flushed | ● Flushed | ⦿ Non-flushed |
| Sensing distance | 4mm | 8mm | 4mm | 8mm |



| | | | | | |
|--------|-----------|---------------|---------------|------------------|------------------|
| Output | NPN NO | LR12XBF04DNOY | LR12XBN08DNOY | LR12XBF04DNOY-E2 | LR12XBN08DNOY-E2 |
| | NPN NC | LR12XBF04DNCY | LR12XBN08DNCY | LR12XBF04DNCY-E2 | LR12XBN08DNCY-E2 |
| | NPN NO+NC | LR12XBF04DNRY | LR12XBN08DNRY | LR12XBF04DNRY-E2 | LR12XBN08DNRY-E2 |
| Output | PNP NO | LR12XBF04DPOY | LR12XBN08DPOY | LR12XBF04DPOY-E2 | LR12XBN08DPOY-E2 |
| | PNP NC | LR12XBF04DPCY | LR12XBN08DPCY | LR12XBF04DPCY-E2 | LR12XBN08DPCY-E2 |
| | PNP NO+NC | LR12XBF04DPRY | LR12XBN08DPRY | LR12XBF04DPRY-E2 | LR12XBN08DPRY-E2 |

| Technical Parameter | | | | | |
|--------------------------|---------------------|---------------------|---------------------|---------------------|---------------------|
| Supply voltage | 10...30 VDC | 10...30 VDC | 10...30 VDC | 10...30 VDC | 10...30 VDC |
| Temperature drift | < ±10% | < ±10% | < ±10% | < ±10% | < ±10% |
| Load current | <200mA | <200mA | <200mA | <200mA | <200mA |
| Voltage drop | <2.5V | <2.5V | <2.5V | <2.5V | <2.5V |
| Consumption current | <10mA | <10mA | <10mA | <10mA | <10mA |
| Hysteresis | 1...20% | 1...20% | 1...20% | 1...20% | 1...20% |
| Repeat accuracy | <3% | <3% | <3% | <3% | <3% |
| Frequency | 800Hz | 500Hz | 800Hz | 500Hz | 500Hz |
| Output indicator | Yellow LED | Yellow LED | Yellow LED | Yellow LED | Yellow LED |
| Polarity protection | yes | yes | yes | yes | yes |
| Surge protection | yes | yes | yes | yes | yes |
| Short-circuit protection | yes | yes | yes | yes | yes |
| Ambient temperature | -25...+70°C | -25...+70°C | -25...+70°C | -25...+70°C | -25...+70°C |
| Ambient moisture | 35...95% | 35...95% | 35...95% | 35...95% | 35...95% |
| Protection degree | IP67 | IP67 | IP67 | IP67 | IP67 |
| Housing material | Nickel-copper Alloy | Nickel-copper Alloy | Nickel-copper Alloy | Nickel-copper Alloy | Nickel-copper Alloy |
| Connection | 2m PVC Cable | 2m PVC Cable | M12 Connector | M12 Connector | M12 Connector |
| Certification | CE U _L | CE U _L | CE U _L | CE U _L | CE U _L |

* Cable material and length can be customized



X-ON Electronics

Largest Supplier of Electrical and Electronic Components

Click to view similar products for [Proximity Sensors](#) category:

Click to view products by [Lanbao](#) manufacturer:

Other Similar products are found below :

[01.001.5653.1](#) [70.340.1028.0](#) [70.360.2428.0](#) [70.364.4828.0](#) [70.810.1053.0](#) [72.360.1628.0](#) [73.363.6428.0](#) [8027AL20NL2CPXX](#) [FYCC8E1-2](#)
[9221350022](#) [922AA2W-A9P-L](#) [PLS2](#) [GL-12F-C2.5X10\(LOT3\)](#) [972AB2XM-A3N-L](#) [972AB3XM-A3P-L](#) [PS3251](#) [980659-1](#) [QT-12](#) [E2E2-](#)
[X5M41-M4](#) [E2E-X14MD1-G](#) [E2E-X2D1-G](#) [E2EX2ME2N](#) [E2EX3D1SM1N](#) [E2E-X4MD1-G](#) [E2E-X5E1-5M-N](#) [E2E-X5Y2-N](#) [E2E-X7D1-](#)
[M1J-T-0.3M-N](#) [E2FMX1R5D12M](#) [E2K-F10MC1](#) [5M](#) [EH-302](#) [EI3010TBOP](#) [EI5515NPAP](#) [MS605AU](#) [EP175-32000](#) [IFRM04N35B1/L](#)
[IFRM04P1513/S35L](#) [IFRM06P1703/S35L](#) [IFRM08P1501/S35L](#) [IFRM12N17G3/L](#) [IFRM12P17G3/L](#) [IFRM12P3502/L](#) [IFRM12P37G1/S14L](#)
[ILFK12E9189/I02](#) [ILFK12E9193/I02](#) [IMM2582C](#) [OISN-013](#) [25.161.3253.0](#) [25.332.0653.1](#) [25.352.0653.0](#) [25.352.0753.0](#)