

Czujniki Indukcyjne M12 Zwiększona czułość (seria Y)

LR12X

10-30VDC 3 Wires

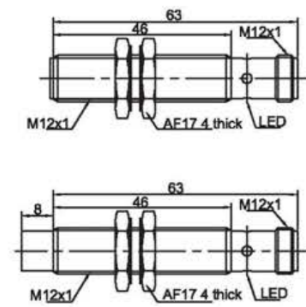
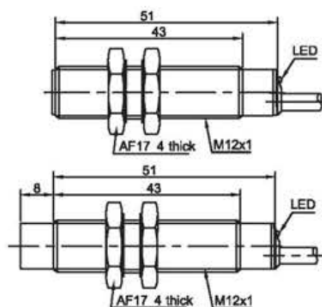
Item Code	LR12X		LR12X	
Mounting	● Flushed	⦿ Non-flushed	● Flushed	⦿ Non-flushed
Sensing distance	4mm	8mm	4mm	8mm



Output	NPN NO	LR12XBF04DNOY	LR12XBN08DNOY	LR12XBF04DNOY-E2	LR12XBN08DNOY-E2
	NPN NC	LR12XBF04DNCY	LR12XBN08DNCY	LR12XBF04DNCY-E2	LR12XBN08DNCY-E2
	NPN NO+NC	LR12XBF04DNRY	LR12XBN08DNRY	LR12XBF04DNRY-E2	LR12XBN08DNRY-E2
Output	PNP NO	LR12XBF04DPOY	LR12XBN08DPOY	LR12XBF04DPOY-E2	LR12XBN08DPOY-E2
	PNP NC	LR12XBF04DPCY	LR12XBN08DPCY	LR12XBF04DPCY-E2	LR12XBN08DPCY-E2
	PNP NO+NC	LR12XBF04DPRY	LR12XBN08DPRY	LR12XBF04DPRY-E2	LR12XBN08DPRY-E2

Technical Parameter					
Supply voltage	10...30 VDC	10...30 VDC	10...30 VDC	10...30 VDC	10...30 VDC
Temperature drift	< ±10%	< ±10%	< ±10%	< ±10%	< ±10%
Load current	<200mA	<200mA	<200mA	<200mA	<200mA
Voltage drop	<2.5V	<2.5V	<2.5V	<2.5V	<2.5V
Consumption current	<10mA	<10mA	<10mA	<10mA	<10mA
Hysteresis	1...20%	1...20%	1...20%	1...20%	1...20%
Repeat accuracy	<3%	<3%	<3%	<3%	<3%
Frequency	800Hz	500Hz	800Hz	500Hz	500Hz
Output indicator	Yellow LED	Yellow LED	Yellow LED	Yellow LED	Yellow LED
Polarity protection	yes	yes	yes	yes	yes
Surge protection	yes	yes	yes	yes	yes
Short-circuit protection	yes	yes	yes	yes	yes
Ambient temperature	-25...+70°C	-25...+70°C	-25...+70°C	-25...+70°C	-25...+70°C
Ambient moisture	35...95%	35...95%	35...95%	35...95%	35...95%
Protection degree	IP67	IP67	IP67	IP67	IP67
Housing material	Nickel-copper Alloy	Nickel-copper Alloy	Nickel-copper Alloy	Nickel-copper Alloy	Nickel-copper Alloy
Connection	2m PVC Cable	2m PVC Cable	M12 Connector	M12 Connector	M12 Connector
Certification	CE U	CE U	CE U	CE U	CE U

* Cable material and length can be customized



X-ON Electronics

Largest Supplier of Electrical and Electronic Components

Click to view similar products for [Proximity Sensors](#) category:

Click to view products by [Lanbao](#) manufacturer:

Other Similar products are found below :

[01.001.5653.1](#) [70.340.1028.0](#) [70.360.2428.0](#) [70.364.4828.0](#) [70.810.1053.0](#) [72.360.1628.0](#) [73.363.6428.0](#) [8027AL20NL2CPXX](#) [FYCC8E1-2](#)
[9221350022](#) [922AA2W-A9P-L](#) [PLS2](#) [GL-12F-C2.5X10\(LOT3\)](#) [972AB2XM-A3N-L](#) [972AB3XM-A3P-L](#) [PS3251](#) [980659-1](#) [QT-12](#) [E2E2-](#)
[X5M41-M4](#) [E2E-X14MD1-G](#) [E2E-X2D1-G](#) [E2EX2ME2N](#) [E2EX3D1SM1N](#) [E2E-X4MD1-G](#) [E2E-X5E1-5M-N](#) [E2E-X5Y2-N](#) [E2E-X7D1-](#)
[M1J-T-0.3M-N](#) [E2FMX1R5D12M](#) [E2K-F10MC1](#) [5M](#) [EH-302](#) [EI3010TBOP](#) [EI5515NPAP](#) [MS605AU](#) [EP175-32000](#) [IFRM04N35B1/L](#)
[IFRM04P1513/S35L](#) [IFRM06P1703/S35L](#) [IFRM08P1501/S35L](#) [IFRM12N17G3/L](#) [IFRM12P17G3/L](#) [IFRM12P3502/L](#) [IFRM12P37G1/S14L](#)
[ILFK12E9189/I02](#) [ILFK12E9193/I02](#) [IMM2582C](#) [OISN-013](#) [25.161.3253.0](#) [25.332.0653.1](#) [25.352.0653.0](#) [25.352.0753.0](#)