

Metal cylindrical shape inductive sensors **LR12X** series

**Features**

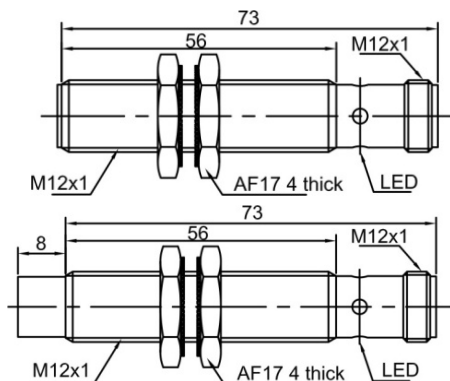
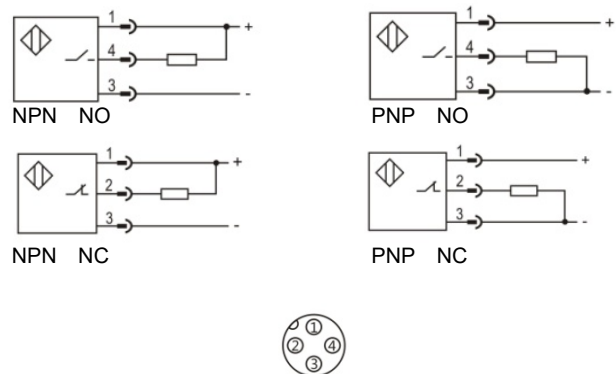
- ◆ Extended sensing distance;
- ◆ ASIC design, safe and reliable;
- ◆ Perfect choice for metallic target detection;


**Part number**

NPN NO	LR12XCF06DNOY-E2	LR12XCN10DNOY-E2	PNP NO	LR12XCF06DPOY-E2	LR12XCN10DPOY-E2
NPN NC	LR12XCF06DNKY-E2	LR12XCN10DNKY-E2	PNP NC	LR12XCF06DPCY-E2	LR12XCN10DPCY-E2
NPN NO+NC	LR12XCF06DNRY-E2	LR12XCN10DNRY-E2	PNP NO+NC	LR12XCF06DPRY-E2	LR12XCN10DPRY-E2

**Technical specifications**

Mounting	Quasi -flush	Non-flush	Leakage current [I <sub>r</sub> ]	≤15mA	
Rated distance [S <sub>n</sub> ]	6mm	10mm	Circuit protection	Short-circuit, overload and reverse polarity	
Assured distance [S <sub>a</sub> ]	0...4.8mm	0...8mm	Output indicator	Yellow LED	
Dimensions	M12*73mm	M12*81mm	Ambient temperature	-25°C...70°C	
Output	NO/NC(depends on part number)		Ambient humidity	35-95%RH	
Supply voltage	10...30 VDC		Switching frequency [F]	500 Hz	300 Hz
Standard target	Fe 18*18*1t	Fe 30*30*1t	Voltage withstand	1000V/AC 50/60Hz 60S	
Switch-point drifts[%/Sr]	≤±10%		Insulation resistance	≥50MΩ (500VDC)	
Hysteresis range [%/Sr]	1...20%		Vibration resistance	10...50Hz (1.5mm)	
Repeat accuracy [R]	≤3%		Degree of protection	IP67	
Load current	≤200mA		Housing material	Nickel-copper alloy	
Residual voltage	≤2.5V		Connection type	M12 connector	

**Dimensions**

**Wiring diagram**


## X-ON Electronics

Largest Supplier of Electrical and Electronic Components

*Click to view similar products for [Proximity Sensors](#) category:*

*Click to view products by [Lanbao](#) manufacturer:*

Other Similar products are found below :

[01.001.5653.1](#) [70.340.1028.0](#) [70.360.2428.0](#) [70.364.4828.0](#) [70.810.1053.0](#) [72.360.1628.0](#) [73.363.6428.0](#) [9221350022](#) [980659-1](#) [QT-12](#)  
[E2EX10D1NN](#) [E2E-X14MD1-G](#) [E2E-X2D1-G](#) [E2EX2ME2N](#) [E2E-X3D1-N](#) [10M](#) [E2E-X4MD1-G](#) [E2K-F10MC1](#) [5M](#) [EC3016PPASL-1](#)  
[EI1204TBOSL-6](#) [EI5515NPAP](#) [BSA-08-25-08](#) [IC08ANC15PO-K](#) [25.161.3253.0](#) [25.332.0653.1](#) [25.352.0653.0](#) [25.352.0753.0](#) [25.523.3253.0](#)  
[9151710023](#) [922FS1.5C-A4P-Z774](#) [SC606ABV0S30](#) [SM552A100](#) [SM952A126100LE](#) [SM956A132600](#) [A1220EUA-T](#) [F3S-A162-U](#) [CL18](#)  
[QT-08L](#) [34.110.0010.0](#) [TL-C2MF1-M3-E4](#) [IA08BLF15NOM5](#) [IA08BSF15NOM5](#) [IA12ASF04DOM1](#) [IS2](#) [IS31SE5000-UTLS2-TR](#)  
[34.110.0021.0](#) [34.110.0022.0](#) [CA150-120VACDC](#) [VM18VA3000Q](#) [XS508BSCBL2](#) [XS512BLNAM12](#)