

## Plastic cylindrical shape photoelectric sensors PR18S series



### Features

- ◆ Diffuse reflection working principle;
- ◆ Excellent anti-interference performance
- ◆ High detection accuracy



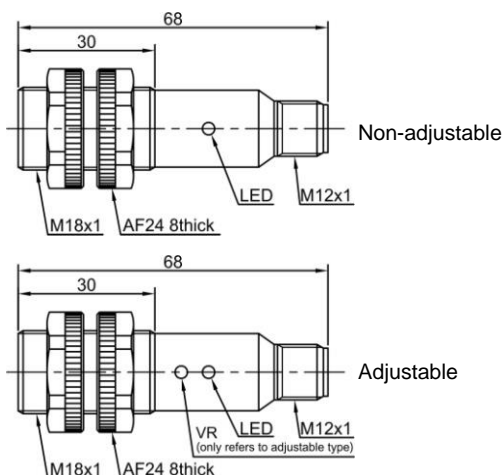
### Part number

|           |                  |                  |           |                  |                  |
|-----------|------------------|------------------|-----------|------------------|------------------|
| NPN NO    | PR18S-BC10DNO-E2 | PR18S-BC40DNO-E2 | PNP NO    | PR18S-BC10DPO-E2 | PR18S-BC40DPO-E2 |
| NPN NC    | PR18S-BC10DNC-E2 | PR18S-BC40DNC-E2 | PNP NC    | PR18S-BC10DPC-E2 | PR18S-BC40DPC-E2 |
| NPN NO+NC | PR18S-BC10DNR-E2 | PR18S-BC40DNR-E2 | PNP NO+NC | PR18S-BC10DPR-E2 | PR18S-BC40DPR-E2 |

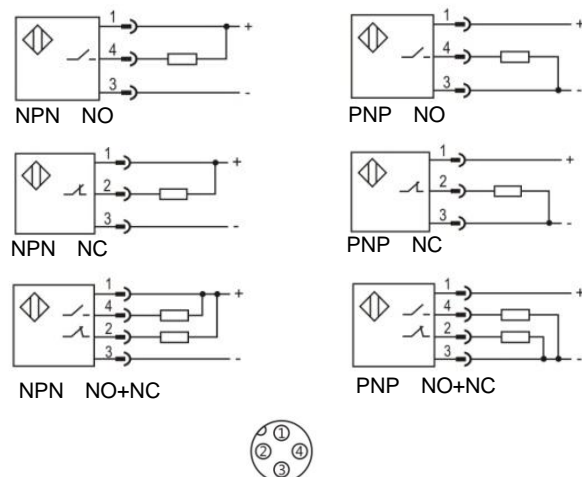
### Technical specifications

|                         |                                       |                       |  |
|-------------------------|---------------------------------------|-----------------------|--|
| Detection type          | Diffuse reflection                    | Consumption current   | ≤25mA  |
| Rated distance [Sn]     | 10cm (non-adjustable)40cm(adjustable) | Circuit protection    | Short-circuit, overload and reverse polarity |
| Standard target         | White card reflection rate 90%        | Response time         | < 8.2ms                                      |
| Light source            | Infrared LED (880nm)                  | Output indicator      | Yellow LED                                   |
| Dimensions              | M18*68mm                              | Ambient temperature   | -15°C...+55°C                                |
| Output                  | NO/NC (depends on part No.)           | Ambient humidity      | 35-85%RH (non-condensing)                    |
| Supply voltage          | 10...30 VDC                           | Voltage withstand     | 1000V/AC 50/60Hz 60s                         |
| Target                  | Opaque object                         | Insulation resistance | ≥50MΩ(500VDC)                                |
| Hysteresis range [%/Sr] | 3...20%                               | Vibration resistance  | 10...50Hz (0.5mm)                            |
| Repeat accuracy [R]     | ≤5%                                   | Degree of protection  | IP67   |
| Load current            | ≤200mA                                | Housing material      | PBT  |
| Residual voltage        | ≤2.5V                                 | Connection type       | M12 Connector                                |

### Dimensions



### Wiring diagram



## X-ON Electronics

Largest Supplier of Electrical and Electronic Components

*Click to view similar products for [Photoelectric Sensors](#) category:*

*Click to view products by [Lanbao](#) manufacturer:*

Other Similar products are found below :

[7442AD2X5FRX](#) [EX-19B-LP](#) [7443AR0X5FRX](#) [7452AD4D4NNX](#) [F3WD052C5M](#) [7694ADE04DS2X](#) [FE7C-FRC6S-M](#) [FX-305](#) [PM-R24-R](#)  
[Q45VR2FPQ](#) [13104RQD07](#) [E3JUXM4MN](#) [E3L2DC4](#) [E3S3LE21](#) [E3SCT11M1J03M](#) [E3SDS20E21](#) [E3VDS70C43S](#) [E3XNM16](#) [BR23P](#)  
[HOA6563-001](#) [OJ-3307-30N8](#) [OS-311A-30](#) [P32013](#) [P34036](#) [P43004](#) [P60001](#) [PB10CNT15PO](#) [S14132](#) [935286-000](#) [S52101](#) [S56258](#) [FD-](#)  
[SN500](#) [FE7B-FDRB6-M](#) [SU-79](#) [T36342](#) [T40300](#) [T60001](#) [PD60CNX20BP](#) [FX-302-HY](#) [FZS](#) [PM-T64W](#) [PZ2-51P](#) [CX-491-P-J](#) [CYNUTX10](#)  
[UZB802](#) [UZB803](#) [UZFRG1](#) [UZFRG4](#) [UZFRT4](#) [UZFTT8](#)