



## KBPC2501W THRU KBPC2510W

VOLTAGE RANGE 100to 1000 Volts  
CURRENT 25 Ampere



## Features

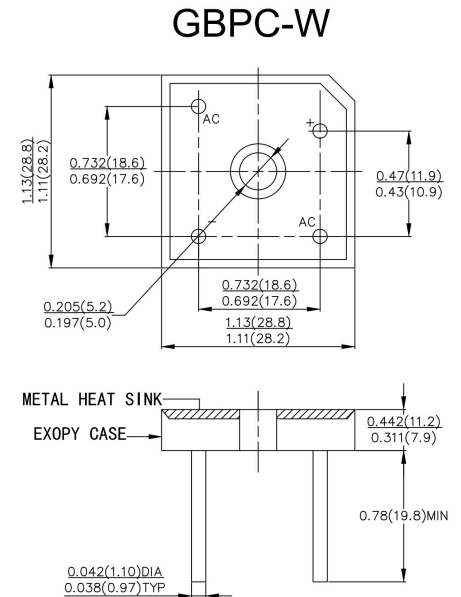
- Rating to 1000V PRV
- High efficiency
- Glass passivated chip junction
- Electrically isolated metal case for maximum heat dissipation
- The plastic material has UL flammability classification 94V-0
- Electrically isolated base-2500 Volts

## Mechanical Data

- Case: Molded plastic with Heatsink internally mounted in the bridge encapsulation
- Polarity: As marked on Body
- Mounting: Hole for # 10 screw
- Weight: 0.47 ounces, 13.4 grams (wire)

## Maximum Ratings and Electrical Characteristics

- Ratings at 25°C ambient temperature unless otherwise specified
- Single Phase, half wave, 60Hz, resistive or inductive load
- For capacitive load derate current by 20%



TYPE NUMBER	SYMBOLS	KBPC 2501W	KBPC 2502W	KBPC 2504W	KBPC 2506W	KBPC25 08W	KBPC25 10W	UNIT
Maximum Reverse Peak Repetitive Voltage	$V_{RRM}$	100	200	400	600	800	1000	Volts
Maximum RMS Voltage	$V_{RMS}$	70	140	280	420	560	700	Volts
Maximum DC Blocking Voltage	$V_{DC}$	100	200	400	600	800	1000	Volts
Maximum Average Forward Rectified Output Current, at $T_C = T_A$	$I_{(AV)}$	25.0						Amps
Peak Forward Surge Current 8.3ms single half sine wave superimposed on rated load	$I_{FSM}$	300						Amps
Rating for Fusing ( $t < 8.3ms$ ) <sup>(Note1)</sup>	$I^2t$	508						A <sup>2</sup> s
Maximum Instantaneous Forward Voltage drop Per Bridge element 12.5A	$V_F$	1.1						Volts
Maximum Reverse Current at rated DC blocking voltage per element	TA=25°C	5.0						μAmps
	TA=125°C	500						
Typical Junction Capacitance Per Element <sup>(Note2)</sup>	$C_j$	130						pF
Typical Thermal Resistance <sup>(NOTE 3)</sup>	$R_{θJC}$	5.0						°C/W
Operating Temperature Range	$T_j$	-55 to +150						°C
Storage Temperature Range	$T_{STG}$	-55 to +150						°C

Notes:

1. Measured at non-repetitive, for greater than 1ms and less than 8.3ms.
2. Measured at 1.0MHz and applied reverse voltage of 1.0V DC.
3. Device mounted on 300mm×300mm×1.6mm Cu Plate Heatsink.



Ratings and Characteristic Curves ( $T_A=25^{\circ}\text{C}$  unless otherwise noted)

FIG.1-FORWARD CURRENT DERATING CURVE

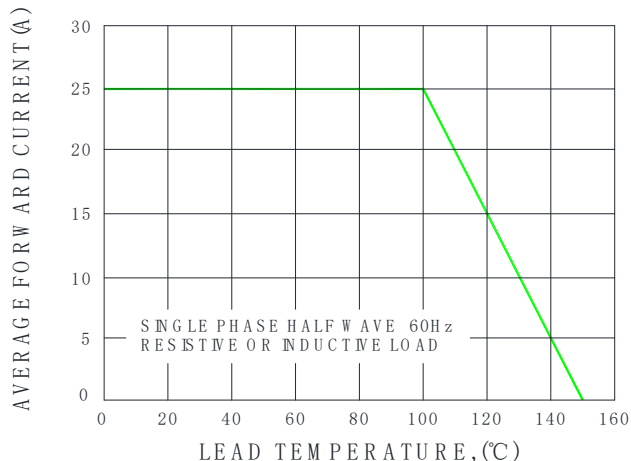


FIG.2-MAXIMUM NON-REPETITIVE PEAK FORWARD SURGE CURRENT

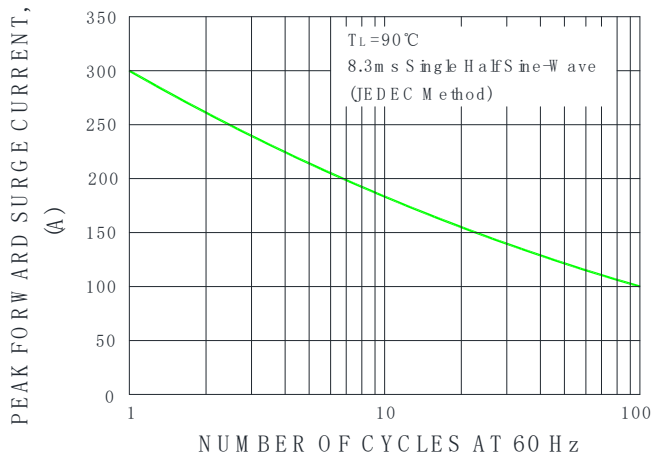


FIG.3-TYPICAL INSTANTANEOUS FORWARD CHARACTERISTICS

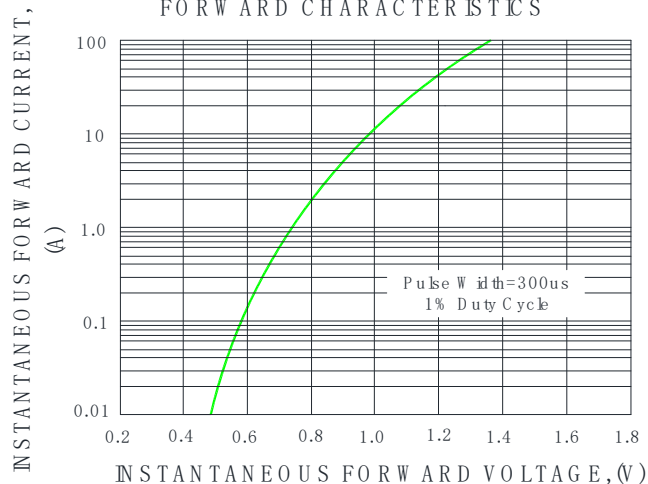


FIG.4-TYPICAL REVERSE CHARACTERISTICS

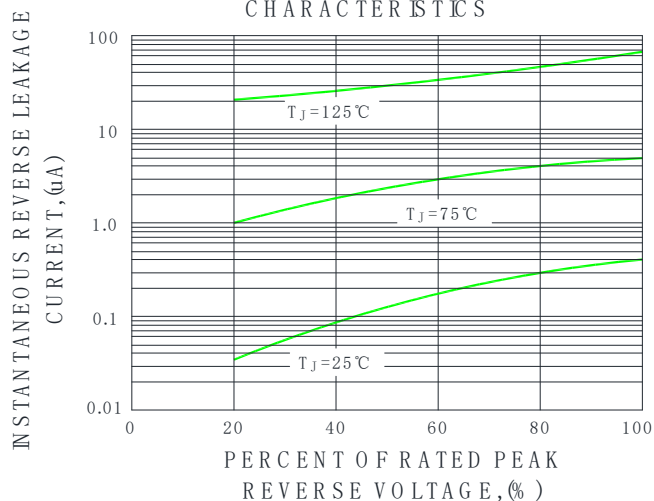
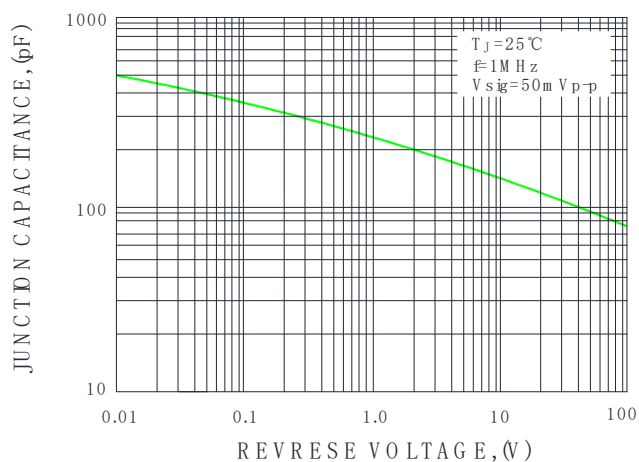


FIG.5-TYPICAL JUNCTION CAPACITANCE





---

**KBPC2501W THRU KBPC2510W****VOLTAGE RANGE** 100to 1000 Volts  
**CURRENT** 25 Ampere

---

## Disclaimer

The information presented in this document is for reference only. Chongqing changjie Electronic Technology Co., Ltd. reserves the right to make changes without notice for the specification of the products displayed herein to improve reliability, function or design or otherwise.

The product listed herein is designed to be used with ordinary electronic equipment or devices, and not designed to be used with equipment or devices which require high level of reliability and the malfunction of which would directly endanger human life (such as medical instruments, transportation equipment, aerospace machinery, nuclear-reactor controllers, fuel controllers and other safety devices), Changjie or anyone on its behalf, assumes no responsibility or liability for any damages resulting from such improper use of sale.

This publication supersedes & replaces all information previously supplied. For additional information, please visit our website [http:// www.czlangjie.com](http://www.czlangjie.com) , or consult your nearest Langjie's sales office for further assistance.

## X-ON Electronics

Largest Supplier of Electrical and Electronic Components

*Click to view similar products for [Bridge Rectifiers](#) category:*

*Click to view products by [LangJie](#) manufacturer:*

Other Similar products are found below :

[MB252](#) [MB356G](#) [MB358G](#) [GBJ1504-BP](#) [GBU10B-BP](#) [GBU15K-BP](#) [GBU4A-BP](#) [GBU4D-BP](#) [DB101-BP](#) [DF01](#) [DF10SA-E345](#) [KBPC50-10S](#) [RS405GL-BP](#) [GBJ1502-BP](#) [GBU6M](#) [TB102M](#) [MB1510](#) [MB86](#) [TL401G](#) [MDA920A2](#) [TU602](#) [TU810](#) [MP5010W-BP](#) [MP501W-BP](#) [MP502-BP](#) [KBPC25-02](#) [VBO160-12NO7](#) [VS-110MT120KPBF](#) [VS-60MT80KPBF](#) [DB105-BP](#) [DF1510S](#) [VS-40MT160PAPBF](#) [GBU4G-BP](#) [GSIB15A80-E3/45](#) [DB104-BP](#) [D3SB60](#) [TB354](#) [GBJ2504-BP](#) [26MB100A](#) [B1S-G](#) [VS-40MT160KPBF](#) [VUO162-16NO7](#) [ABS10-G](#) [GBU6B-BP](#) [GBJ1508-BP](#) [BR5010-G](#) [ABS6-G](#) [B125C800G-E4/51](#) [MSB15MH-13](#) [LBS10-13](#)