

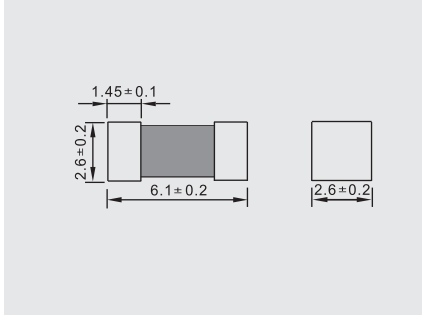
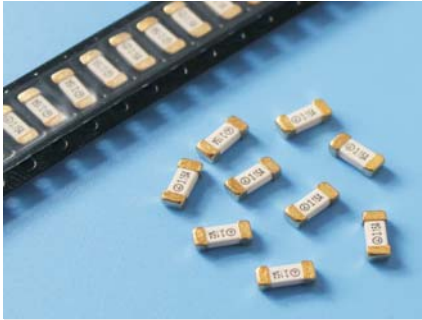


# 24E RoHS Compliant



## 贴片保险丝(抗浪涌型)

### SMD Fuse (High Inrush Current Withstand) 250V/125V



测试标准:  
Testing Standard:  
UL248-1 UL248-14

额定分断能力:  
Interrupting Rating:  
50 Amperes at 250V AC(100mA~7A)  
50 Amperes at 125V AC/DC(100mA~7A)

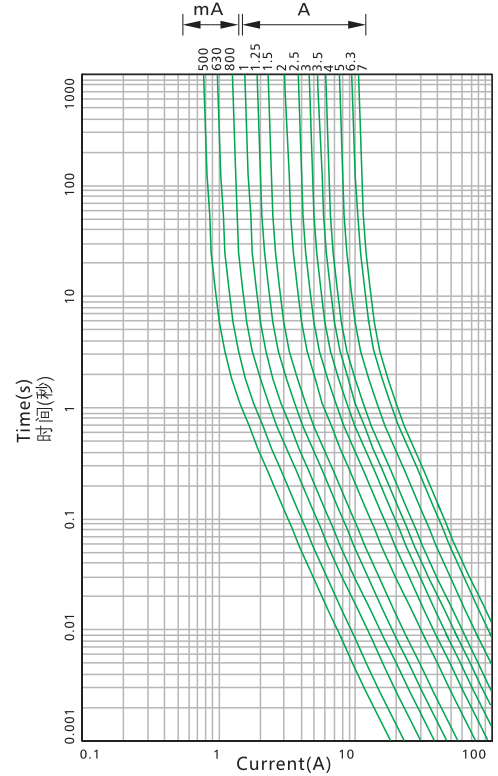
工作温度:  
Operating Temperature:  
-55°C ~ +125°C

材料:  
Materials:  
End cap:gold plated brass  
Ceramic tube:ceramic

焊接方法:  
Soldering Method:  
Reflow soldering: 260°C, 10s max  
Manual soldering: 380°C, 3s max

包装:  
Packaging:  
Automaton taped 5000PCS per rell,  
30000PCS per carton

Time-Current Characteristics  
电流-时间曲线图



#### 电气特性: Electrical Characteristics

额定电流的% % of Ampere Rating	熔断时间 Opening Time
100%	4 hours Min
200%	1s~60s
800%	20ms~100ms

#### 目录编号: Catalog No.A:250V B:125V

目录编号 Catalog No.	额定电流 Ampere Rating	额定电压 Voltage Rating	熔化热能 <sup>2</sup> Melting Integral (A <sup>2</sup> .S)	认证 Approvals			
				UL US	CQC	PS E JET	KC
24E0125A/B	125mA	250V/125V	0.06	●			
24E0160A/B	160mA	250V/125V	0.08	●			
24E0200A/B	200mA	250V/125V	0.09	●			
24E0250A/B	250mA	250V/125V	0.11	●			
24E0315A/B	315mA	250V/125V	0.14	●			
24E0400A/B	400mA	250V/125V	0.26	●			○
24E0500A/B	500mA	250V/125V	0.5	●			○
24E0630A/B	630mA	250V/125V	0.8	●			○
24E0750A/B	750mA	250V/125V	1.3	●			○
24E0800A/B	800mA	250V/125V	1.5	●			○
24E1100A/B	1A	250V/125V	2.3	●	○	○	●
24E1125A/B	1.25A	250V/125V	3.2	●	○	○	●
24E1150A/B	1.5A	250V/125V	5.6	●	○	○	●
24E1160A/B	1.6A	250V/125V	5.9	●	○	○	●
24E1200A/B	2A	250V/125V	7.8	●	●	○	●
24E1250A/B	2.5A	250V/125V	10	●			●
24E1300A/B	3A	250V/125V	22	●			○
24E1315A/B	3.15A	250V/125V	23	●			○
24E1350A/B	3.5A	250V/125V	26	●			○
24E1400A/B	4A	250V/125V	39	●			○
24E1500A/B	5A	250V/125V	58	●			○
24E1600A/B	6A	250V/125V	95	●			
24E1630A/B	6.3A	250V/125V	110	●			
24E1700A/B	7A	250V/125V	120	●			

## X-ON Electronics

Largest Supplier of Electrical and Electronic Components

*Click to view similar products for [Surface Mount Fuses](#) category:*

*Click to view products by [lanson](#) manufacturer:*

Other Similar products are found below :

[FHC20402ADTP](#) [NFVC6125S0R50TRF](#) [SFT-125MA](#) [TF16SN2.00TTD](#) [7010.9810.57](#) [FCC16501ABTP](#) [FCC16102ABTP](#) [FHC16322ADTP](#)  
[0308.250UR](#) [0308.375UR](#) [0308.500UR](#) [0308.750UR](#) [0308001.UR](#) [030801.5UR](#) [FCC16202ABTP](#) [F0603G0R03FNTR](#) [SKY87604-12](#)  
[SKY87604-11](#) [SKY87604-13](#) [3404.0110.22](#) [7010.9962.63](#) [R451003.L](#) [R451.500L](#) [R451001.L](#) [3-103-119](#) [3-103-123](#) [CFS06V3TR63](#) [F06F3](#)  
[F06F0.25](#) [F06T0.5](#) [F06F1](#) [F06F8](#) [F06T1](#) [F06F2](#) [F06F0.75](#) [F06F6](#) [F06F1.5](#) [F06T2](#) [0603FA-2HF](#) [24T 7A250V](#) [06 100.2.5](#) [F06F2.5](#)  
[F06T1.5](#) [CLM1612P1412](#) [06 100.0.25](#) [06 100.0.375](#) [06 100.0.5](#) [0603WNF200A032V](#) [F06T5](#) [S0603-S-8.0A](#)