

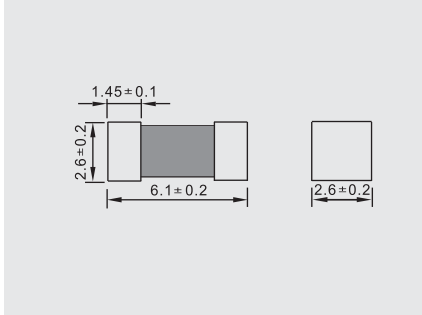
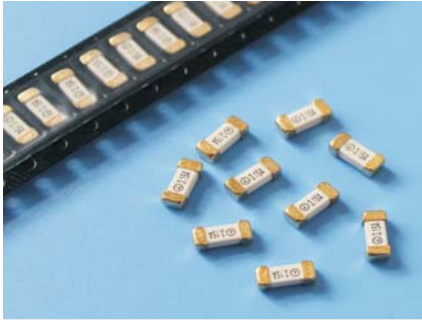


24E RoHS Compliant



贴片保险丝(抗浪涌型)

SMD Fuse (High Inrush Current Withstand) 250V/125V



测试标准:
Testing Standard:
UL248-1 UL248-14

额定分断能力:
Interrupting Rating:
50 Amperes at 250V AC(100mA~7A)
50 Amperes at 125V AC/DC(100mA~7A)

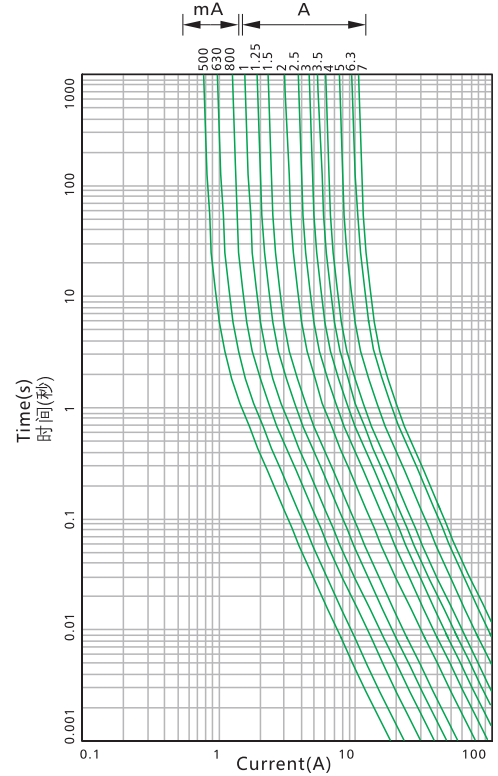
工作温度:
Operating Temperature:
-55°C ~ +125°C

材料:
Materials:
End cap:gold plated brass
Ceramic tube:ceramic

焊接方法:
Soldering Method:
Reflow soldering: 260°C, 10s max
Manual soldering: 380°C, 3s max

包装:
Packaging:
Automaton taped 5000PCS per rell,
30000PCS per carton

Time-Current Characteristics
电流-时间曲线图



电气特性: Electrical Characteristics

额定电流的% % of Ampere Rating	熔断时间 Opening Time
100%	4 hours Min
200%	1s~60s
800%	20ms~100ms

目录编号: Catalog No.A:250V B:125V

目录编号 Catalog No.	额定电流 Ampere Rating	额定电压 Voltage Rating	熔化热能 ² Melting Integral (A ² .S)	认证 Approvals			
				UL US	CQC	PS E JET	其他
24E0125A/B	125mA	250V/125V	0.06	●			
24E0160A/B	160mA	250V/125V	0.08	●			
24E0200A/B	200mA	250V/125V	0.09	●			
24E0250A/B	250mA	250V/125V	0.11	●			
24E0315A/B	315mA	250V/125V	0.14	●			
24E0400A/B	400mA	250V/125V	0.26	●			○
24E0500A/B	500mA	250V/125V	0.5	●			○
24E0630A/B	630mA	250V/125V	0.8	●			○
24E0750A/B	750mA	250V/125V	1.3	●			○
24E0800A/B	800mA	250V/125V	1.5	●			○
24E1100A/B	1A	250V/125V	2.3	●	○	○	●
24E1125A/B	1.25A	250V/125V	3.2	●	○	○	●
24E1150A/B	1.5A	250V/125V	5.6	●	○	○	●
24E1160A/B	1.6A	250V/125V	5.9	●	○	○	●
24E1200A/B	2A	250V/125V	7.8	●	●	○	●
24E1250A/B	2.5A	250V/125V	10	●			●
24E1300A/B	3A	250V/125V	22	●			○
24E1315A/B	3.15A	250V/125V	23	●			○
24E1350A/B	3.5A	250V/125V	26	●			○
24E1400A/B	4A	250V/125V	39	●			○
24E1500A/B	5A	250V/125V	58	●			○
24E1600A/B	6A	250V/125V	95	●			
24E1630A/B	6.3A	250V/125V	110	●			
24E1700A/B	7A	250V/125V	120	●			

X-ON Electronics

Largest Supplier of Electrical and Electronic Components

Click to view similar products for [Surface Mount Fuses](#) category:

Click to view products by [lanson](#) manufacturer:

Other Similar products are found below :

[FHC20402ADTP](#) [NFVC6125S0R50TRF](#) [SFT-125MA](#) [TF16SN2.00TTD](#) [FCC16501ABTP](#) [FCC16102ABTP](#) [FHC16322ADTP](#) [0308.250UR](#)
[0308.375UR](#) [0308.750UR](#) [0308001.UR](#) [030801.5UR](#) [F0603G0R03FNTR](#) [SKY87604-12](#) [SKY87604-11](#) [SKY87604-13](#) [R451003.L](#)
[R451.500L](#) [R451001.L](#) [3-103-119](#) [3-103-123](#) [CF12V6T2R0](#) [ABB-A 25A 500V](#) [PSFB-1.6A](#) [PSFB-2.5A](#) [PSFA-1.6A](#) [PSFB-1A](#) [2410FA-5A](#)
[SGB401](#) [SGB075](#) [MTS2200A](#) [0154002.DRL](#) [0154008.DRL](#) [0154.500DRL](#) [189140.1,25](#) [189140.0,8](#) [189140.0,4](#) [189140.0,63](#) [189140.0,25](#)
[0402FA-R200](#) [0402SFF150F/24-2](#) [0435.250KRHFS](#) [0468003.WR](#) [0494001.NRHF](#) [0494002.NRHF](#) [0494003.NRHF](#) [049402.5NRHF](#)
[049403.5NRHF](#) [0494.250NRHF](#) [0494.375NRHF](#)