

BLUE COIN ID

Industrial Bluetooth Low Energy beacon



BENEFITS

- High autonomy : up to 6.8 years
- Pick to light : integrated high power LED
- Waterproof (IP68)
- Smart & secure programming by NFC
- Over The Air Programming (OTAP)



TECHNICAL SPECIFICATIONS

OPERATING MODE

Frequency	2.4 GHz - Bluetooth Low Energy 4.0/4.2
Output power	Up to +4 dBm (configurable)
Range	Up to 200 meters in open field (+4dBm)
Transmission period	Advertising period (0,1 sec to 10 sec – configurable in seconds)
Radio frame format	Identifier: 15 characters max (15 bytes) Compatible: ID (ELA), iBeacon (Apple) and Eddystone (Google)* <i>*Refer to the frames specification for more information.</i>
Settings and configuration	Interface/protocol : NFC (Type 2)
Connected mode	LED indicator (ON / OFF) command / Battery level
Advertising mode	Periodic transmission of identifier data (beacon mode)

BATTERY

Power supply	3 VDC – Internal lithium battery
Battery life	ID (ELA) : 6.8 years, iBeacon (Apple) : 6.2 years, Eddystone (Google) : 6.2 years* <i>*Refer to the battery life curves for more information.</i>
Battery level	Low battery warning in advertising frames (<15%) Battery voltage in scan response frames (configurable)

CERTIFICATIONS

Europe	CE : EN 300 328/EN 300 330 / EN 301 489 / EN 62311 / EN 62368
USA	FCC : FCC PART 15
Canada	ISED : RSS-247/ICES-003
RoHs	Yes

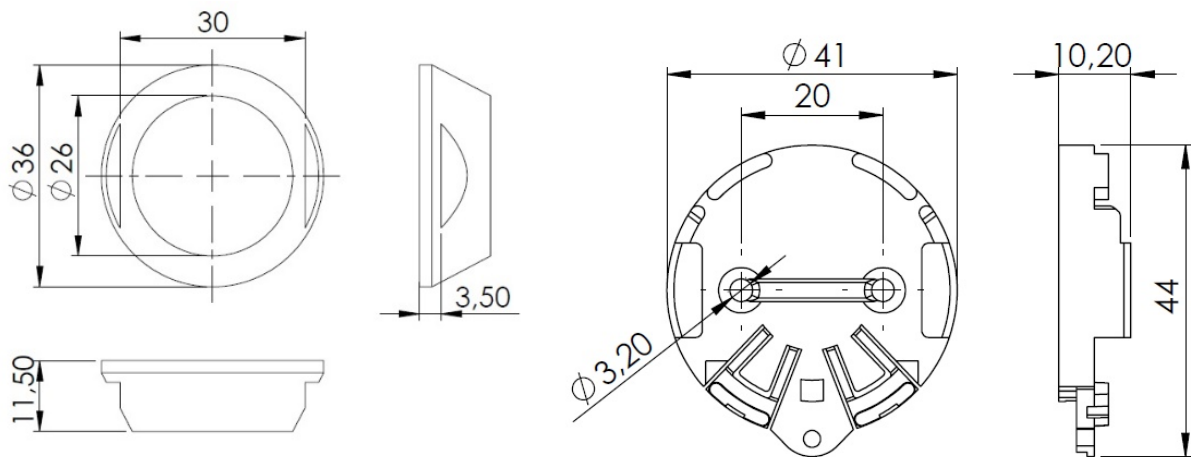
HOUSING

Dimensions	Ø 36mm base – Height 11,5mm
Weight	13g
Materials	DELRIN (POM C) Compatible with food products (90/128/EEC)
Waterproof grade	IP 68
Operating temperature	-30°C to +70°C

ACCESSORIES

Tag support	COIN HOLDER STICKER (ACIOM92C) COIN HOLDER (ACIOM91) COIN STICKER (ACIOM187) 3M PT1100 - Ø 34mm – Thickness: 1,1mm
--------------------	---

MECHANICAL DRAWINGS



Blue COIN ID

COIN HOLDER

X-ON Electronics

Largest Supplier of Electrical and Electronic Components

Click to view similar products for [Bluetooth Modules - 802.15.1 category](#):

Click to view products by [Lantronix manufacturer](#):

Other Similar products are found below :

[BM83SM1-00AA](#) [ESP32-S2-MINI-2-N4](#) [ESP32-S2-MINI-2-N4R2](#) [ESP32-S2-MINI-2U-N4R2](#) [ESP32-S2-SOLO-2-N4R2](#) [ESP32-S3-MINI-1U-N8](#) [ATWINC1510-MR210PB1976](#) [VG3751T240NFS1](#) [PB-02](#) [PB-03F](#) [BT3L](#) [BT2S](#) [BTU](#) [PB-01](#) [PB-02-Kit](#) [TB-05](#) [E73-2G4M04S1AX](#) [E330-900T13S](#) [E73-2G4M08S1EX](#) [E83-2G4M03S](#) [E104-BT5005A](#) [E73-2G4M04S1F](#) [E73-2G4M04S1FX](#) [E104-BT08](#) [E104-BT53C3](#) [E104-BT5010A](#) [E72-2G4M05S1G](#) [E72-2G4M20S1C](#) [E104-BT54S](#) [E104-BT07](#) [DL-CC2340-B](#) [ESP8684-WROOM-02UC-N4](#) [HLK-B40-I](#) [HLK-B40](#) [VG6328A](#) [Core52840](#) [WCH-BSU](#) [BLE-SER-A-ANT](#) [WS8000-M6](#) [WL6601-TC](#) [E73-2G4M04S1BX](#) [ESP32-H2-MINI-1U-H4](#) [RN4678-VB/RM122](#) [ESP32-C6-WROOM-1-N16](#) [RADXA WIRELESS MODULE A1](#) [WT5010-S2](#) [WT52810-S1](#) [WT52840-S1](#) [BLE5101](#) [ESP8684-MINI-1U-H4](#)