

## BLUE COIN MAG

Bluetooth Low Energy Magnetic sensor



### BENEFITS

- Integrated Hall effect magnetic sensor
- High autonomy : upto 4 years
- Waterproof (IP68)
- Smart & secure programming by NFC
- Over The Air Programming (OTAP)



## TECHNICAL SPECIFICATIONS

### OPERATING MODE

<b>Frequency</b>	2.4 GHz - Bluetooth Low Energy 4.0/4.2
<b>Output power</b>	Up to +4 dBm (configurable)
<b>Range</b>	Up to 200 meters in open field (+4dBm)
<b>Transmission period</b>	Advertising period (0,1 sec to 10 sec – configurable)
<b>Radio frame format</b>	Identifier (15 characters max.) (2 bytes)* Magnetic event counter: Total number of magnetic events detected (15 bits)* Magnetic instantaneous state (1 bit)* <i>*Refer to the frames specifications for more information</i>
<b>Settings and configuration</b>	Interface/protocole : NFC (Type 2)
<b>Connected mode</b>	Datalogger transmission (record of saved sensor data) Battery level command
<b>Advertising mode</b>	Periodic sensor data transmission. Immediate transmission on change of sensor state.
<b>Sensor performance</b>	<b>Hall effect sensor range:</b> 2cm typ.(on the side of the "arrow" symbol) <b>Magnetic event detector:</b> Immediate transmission upon change of sensor state

**BATTERY**

---

<b>Power supply</b>	3 VDC - Internal lithium battery
<b>Battery life</b>	Up to 4 years* <i>*Refer to the battery life curves for more information.</i>
<b>Battery level</b>	Low battery warning in advertising frames (<15%) Battery voltage in scan response frames (configurable)

**CERTIFICATIONS**

---

<b>Europe</b>	CE : EN 300 328/EN 300 330, EN 301 489, EN 62311, EN 62368
<b>USA</b>	FCC : FCC PART 15
<b>Canada</b>	ISED : RSS-247/ICES-003
<b>RoHS</b>	Yes

**HOUSING**

---

<b>Dimensions</b>	Ø 36mm base - Height 11,5mm
<b>Weight</b>	13g
<b>Materials</b>	DELIRIN (POM C) Compatible with food products (90/128/EEC)
<b>Waterproof grade</b>	IP 68
<b>Operating temperature</b>	-30°C to +70°C

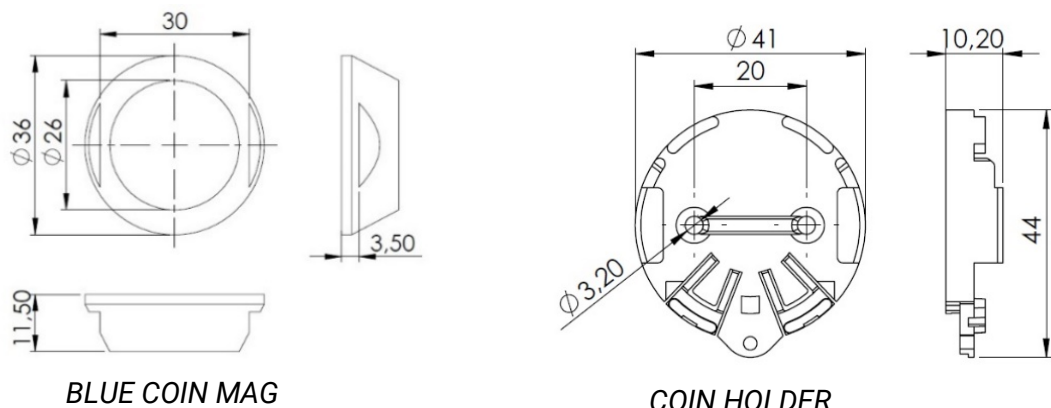
**ACCESSORIES**

---

<b>Tag support</b>	COIN HOLDER STICKER (ACIOM92C) COIN HOLDER (ACIOM91) COIN STICKER (ACIOM187) 3M PT1100 - Ø 34mm – Thickness: 1,1mm
--------------------	---

**MECHANICAL DRAWINGS**

---



**BLUE COIN MAG**

**COIN HOLDER**

Specifications may be modified without any notification. Non-contractual document.  
[www.elainnovation.com](http://www.elainnovation.com) Copyright © 2020 ELA Innovation – FP Blue COIN MAG 07B EN

## X-ON Electronics

Largest Supplier of Electrical and Electronic Components

*Click to view similar products for [Bluetooth Modules - 802.15.1 category](#):*

*Click to view products by [Lantronix manufacturer](#):*

Other Similar products are found below :

[BM83SM1-00AA](#) [ESP32-S2-MINI-2-N4](#) [ESP32-S2-MINI-2-N4R2](#) [ESP32-S2-MINI-2U-N4R2](#) [ESP32-S2-SOLO-2-N4R2](#) [ESP32-S3-MINI-1U-N8](#) [ATWINC1510-MR210PB1976](#) [VG3751T240NFS1](#) [PB-02](#) [PB-03F](#) [BT3L](#) [BT2S](#) [BTU](#) [PB-01](#) [PB-02-Kit](#) [TB-05](#) [E73-2G4M04S1AX](#) [E330-900T13S](#) [E73-2G4M08S1EX](#) [E83-2G4M03S](#) [E104-BT5005A](#) [E73-2G4M04S1F](#) [E73-2G4M04S1FX](#) [E104-BT08](#) [E104-BT53C3](#) [E104-BT5010A](#) [E72-2G4M05S1G](#) [E72-2G4M20S1C](#) [E104-BT54S](#) [E104-BT07](#) [DL-CC2340-B](#) [ESP8684-WROOM-02UC-N4](#) [HLK-B40-I](#) [HLK-B40](#) [VG6328A](#) [Core52840](#) [WCH-BSU](#) [BLE-SER-A-ANT](#) [WS8000-M6](#) [WL6601-TC](#) [E73-2G4M04S1BX](#) [ESP32-H2-MINI-1U-H4](#) [RN4678-VB/RM122](#) [ESP32-C6-WROOM-1-N16](#) [RADXA WIRELESS MODULE A1](#) [WT5010-S2](#) [WT52810-S1](#) [WT52840-S1](#) [BLE5101](#) [ESP8684-MINI-1U-H4](#)