

UNITRONIC® BUS ASI

Communication at sensor/actuator level. Halogen-free (rubber), UL-approval, oil-resistant (TPE version). Temperature range from -40°C to +90°C

Info

"LD" = Long Distance

LAPP KABEL STUTTGART UNITRONIC® BUS ASI

LAPP KABEL STUTTGART UNITRONIC® BUS ASI

LAPP KABEL STUTTGART UNITRONIC® BUS ASI



Temperature-resistant



Halogen-free



Good chemical resistance



Industrial machinery and plant engineering



Automation & fältinstallation

Benefits

The new BUS ASI LD 2 x 2.5 (long distance) now allows modules located even further away to be connected. Additional AS-I supplies can be reduced.

BUS ASI LD is downwards-compatible with version 1.5.

The rubber versions are halogen-free.

Application range

Communication at sensor/actuator level

Sensor/actuator wiring

For fixed installation as well as occasional flexing with free, non-continuously recurring movement without tensile load

The TPE version has an oil-resistant outer sheath. It is suitable for wet areas, in particular in conjunction with water-soluble cooling lubricants.

Last Update (28.02.2017)

©2017 Lapp Group - Technical changes reserved

Product Management www.lappkabel.de

You can find the current technical data in the corresponding data sheet.

PN 0456 / 02_03.16

UNITRONIC® BUS ASI

Product features

Data and power are transmitted via an unshielded, geometrically coded two-wire flat cable (protection against polarity reversal). The conductor is contacted by "piercing technology" within the ASI modules.
The sensors are connected to the ASI modules (coupling modules) using round cables (connection cables).

Norm references / approvals

ASI is standardised Europe-wide in EN 50295 and internationally in IEC 62026-2
PVC version with UL/CSA (CMX) certification
UL/CSA version: CMG c(UL)us or (UL)CL2 or AWM 300V FT4 certified

Design

Extra-fine wire, tin-plated copper strands
Core insulation (blue and brown)
Profiled outer sheath made of rubber (G), thermoplastic elastomers (TPE) or PVC
Colour: yellow (RAL 1023) or black (RAL 9005)
Colour: red (RAL 3000)

Technical Data

Classification:	ETIM 5.0 Class-ID: EC000830 ETIM 5.0 Class-Description: Data cable
Peak operating voltage:	yellow: 300 V (not for power applications) black: 300 V (not for power applications) red: 300 V
Conductor resistance:	1.5 mm ² : max. 13.7 ohm/km 2.5 mm ² : max. 8.21 ohm/km
Minimum bending radius:	Fixed installation: 12 mm flexible 24 mm
Test voltage:	Core/Core: 2000 V
Temperature range:	Dependent on outer sheath material: PVC: -30°C to +90°C Other materials: -40°C to +85°C During laying: PVC -20°C to +90°C Other materials: -30°C to +85°C

Note

Unless otherwise specified, the product values shown are nominal values. You can receive further values, such as tolerances, upon request if they are available and have been released for publication.

Copper price basis: EUR 150/100 kg; see catalogue appendix T17 for the application and definition of "Metal price basis" and "Metal index"

Please find our standard lengths at: www.lappkabel.de/en/cable-standardlengths

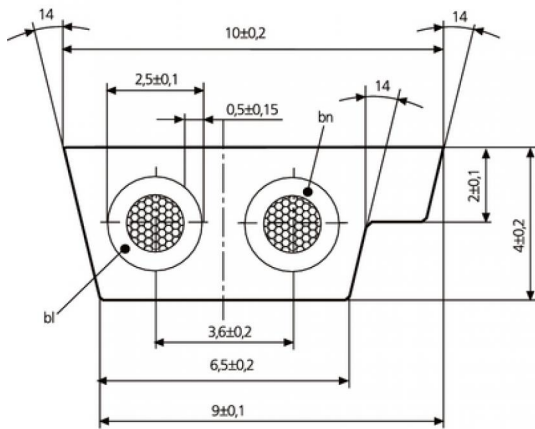
Lapp Kabel is a member of the user organisation AS-International Association

Photographs are not to scale and do not represent detailed images of the respective products.

* Prices are net prices without VAT and surcharges. Sale to business customers only.

Article number	Article designation	Sheath material	Sheath colour	Application	Number of cores and mm ² per conductor	Copper
For fixed and flexible applications (19-wire braided conductor)						
2170228	UNITRONIC® BUS ASI (G)	EPDM (rubber)	yellow	Data and power transmission	2 x 1.5	29
2170229	UNITRONIC® BUS ASI (G)	EPDM (rubber)	black	Transmission of 30 V DC auxiliary power	2 x 1.5	29
2170371	UNITRONIC® BUS ASI LD (G)	EPDM (rubber)	yellow	Data and power transmission	2 x 2.5	48
2170372	UNITRONIC® BUS ASI LD (G)	EPDM (rubber)	black	Transmission of 30 V DC auxiliary power	2 x 2.5	48
2170230	UNITRONIC® BUS ASI (TPE)	TPE	yellow	Data and power transmission	2 x 1.5	29
2170231	UNITRONIC® BUS ASI (TPE)	TPE	black	Transmission of 30 V DC auxiliary power	2 x 1.5	29
2170232	UNITRONIC® BUS ASI (TPE)	TPE	red	Transmission of 230 V AC auxiliary power	2 x 1.5	29
2170842	UNITRONIC® BUS ASI (PVC) A	PVC UL/CSA (CMG)	yellow	Data and power transmission	2 x 1.5	29
2170843	UNITRONIC® BUS ASI (PVC) A	PVC UL/CSA (CMG)	black	Transmission of 30 V DC auxiliary power	2 x 1.5	29
2170844	UNITRONIC® BUS ASI (PVC) A	PVC UL/CSA (CMG)	red	Transmission of 230 V AC auxiliary power	2 x 1.5	29

UNITRONIC® BUS ASI



X-ON Electronics

Largest Supplier of Electrical and Electronic Components

Click to view similar products for [Multi-Conductor Cables](#) category:

Click to view products by [Lapp Kabel](#) manufacturer:

Other Similar products are found below :

[8916-GRY-100](#) [8917-BLK-100](#) [8917-GRN/YEL-100](#) [8918-GRN/YEL-100](#) [8920-BRN-1000](#) [8920-RED-1000](#) [89907-LT-DEC/GRY-500](#)
[CR3909-000](#) [CR3927-000](#) [01342.35T.01](#) [01364.35T.01](#) [CS2885-000](#) [CS8782-000](#) [CS9912-000](#) [6200UE-NAT-U1000](#) [CTC-0062-20-9/5-9](#)
[CTC-0062-22-9/5-9](#) [6304FE-877-U500](#) [6309UE-877-1000](#) [6320UE-NAT-U1000](#) [644833-000](#) [6502FE 8771000](#) [6504UE-877-U1000](#)
[CW9530-000](#) [CX6543-000](#) [CXA-0066-20-4-9CS2973](#) [CXA-0078-16-1-9CS2405](#) [CXA-0078-22-4-9CS2405](#) [CXA-0078-24-4-9CS2405](#)
[CXA-0140-16-6/9-9CS2405](#) [CY0660-000](#) [720451-000](#) [730859-000](#) [MCC-USB-4-250](#) [752687-000](#) [768146-000](#) [773159-000](#) [7934A-BLK-](#)
[1000](#) [8125-CHR-100](#) [820457-000](#) [8205-CHR-1000](#) [8240-BLK-U1000](#) [82723-NAT-1000](#) [82907-NAT-500](#) [83003-YEL-500](#) [83005-WHT-500](#)
[83006-DK-GRN-100](#) [83008-WHT-1000](#) [83009-BLK-100](#) [83009-VIO-100](#)