
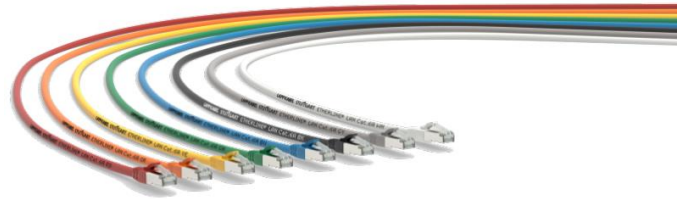


24441316	DATA SHEET	
Valid from: 11.12.2020	ETHERLINE® LAN Cat.6_A Patchcords	

Description

- Patchcord Cat.6_A, shielded, div. colors
- For Office Area and control cabinet
- Straight RJ45-plug on straight RJ45-plug



General characteristics

Connection method, connector	RJ45-plug
Number of pins	8
Ambient temperature	-20 to +60 °C (-4°F to 140°F) (storage) 0 to +50 °C (32°F to 122°F) (installation) -20 to +60 °C (-4°F to 140°F) (operation)
Degree of protection	IP 20
Shielding	shielded, S/FTP
Colour coding (pin assignment)	TIA/EIA-568-A
Conformity	RoHS conform REACH conform PWIS free

(*L) [m] ↓	(*C) = BK	(*C) = BU	(*C) = GN	(*C) = GY	(*C) = OR	(*C) = RD	(*C) = WH	(*C) = YE
0,25	24441316	24441331	24441346	24441361	24441376	24441391	24441406	24441421
0,5	24441317	24441332	24441347	24441362	24441377	24441392	24441407	24441422
1,0	24441318	24441333	24441348	24441363	24441378	24441393	24441408	24441423
1,5	24441319	24441334	24441349	24441364	24441379	24441394	24441409	24441424
2,0	24441320	24441335	24441350	24441365	24441380	24441395	24441410	24441425
3,0	24441321	24441336	24441351	24441366	24441381	24441396	24441411	24441426
5,0	24441322	24441337	24441352	24441367	24441382	24441397	24441412	24441427
7,5	24441323	24441338	24441353	24441368	24441383	24441398	24441413	24441428
10,0	24441324	24441339	24441354	24441369	24441384	24441399	24441414	24441429
15,0	24441325	24441340	24441355	24441370	24441385	24441400	24441415	24441430
20,0	24441326	24441341	24441356	24441371	24441386	24441401	24441416	24441431
25,0	24441327	24441342	24441357	24441372	24441387	24441402	24441417	24441432
30,0	24441328	24441343	24441358	24441373	24441388	24441403	24441418	24441433


Related description

ETHERLINE® LAN Cat.6A RJ45 *L (= cable length) *C (= color of patchcord)

Additional Note

Data sheet also valid for variant lengths.

Creator: FELI1/PDP Released: IVSE1/PDP	Document: DB24441316EN Version: 04	Page 1 of 3
---	---------------------------------------	-------------

24441316	DATA SHEET	
Valid from: 11.12.2020	ETHERLINE® LAN Cat.6_A Patchcords	

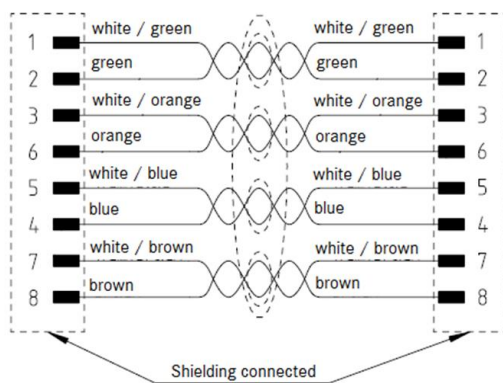
Electrical properties

Rated voltage (max.)	50 V AC / 60 V DC 56,5 V DC (UL)
Rated current	1 A
Pollution degree	1
Withstanding voltage (max.)	500 V AC (5min)

Transmission characteristics

Category (ISO 11801)	6 _A
----------------------	----------------

Connector pin assignment



Mechanical properties

RJ45-plug

Flammability class according to UL 94	PC → V2
Contact, material	CuSn, gold plated
Housing & insert, material	PC, crystal clear
bend protection, material	PVC, in jacket color


Line

Cable construction	4x2xAWG26/7
Insulation	Skin-Foam-Skin PE, ca. 1.03 mm outer-Ø
Cable outer diameter	ca. 6.2 mm
Bending radius	49.6mm (min.)
Outer coating, material	LS0H
Flame retardant	acc. IEC 60332-1-2
Smoke density	acc. IEC 61034-1
Halogen free	acc. IEC 60754-1/-2

Standards

Product standard, RJ45-connector	IEC 60603-7-51
Generic cabling for customer premises – General requirements	ISO/IEC 11801

Creator: FELI1/PDP Released: IVSE1/PDP	Document: DB24441316EN Version: 04	Page 2 of 3
---	---------------------------------------	-------------

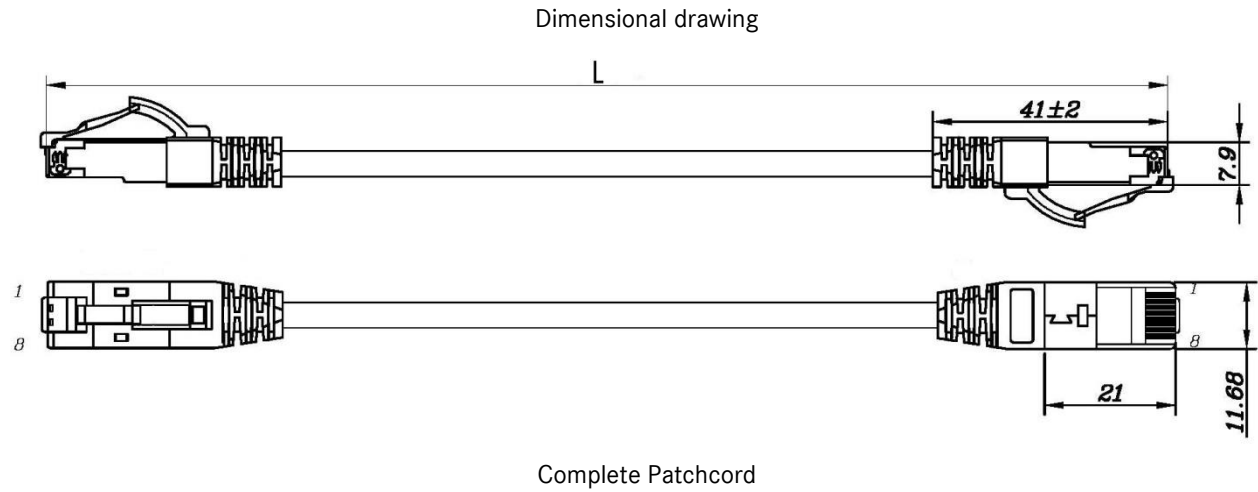
24441316	DATA SHEET	
Valid from: 11.12.2020	ETHERLINE® LAN Cat.6_A Patchcords	

Approvals

UL listed, E-File

DUXR.E353543
DUXR7.E353543

Technical drawing



Application range

Office area (tertiary section), generic cabling for customer premises, control cabinet applications in controlled environment

Note

Photographs are not true to scale and do not represent detailed images of the respective products.

Creator: FELI1/PDP Released: IVSE1/PDP	Document: DB24441316EN Version: 04	Page 3 of 3
---	---------------------------------------	-------------

X-ON Electronics

Largest Supplier of Electrical and Electronic Components

Click to view similar products for [Ethernet Cables / Networking Cables](#) category:

Click to view products by [Lapp Kabel](#) manufacturer:

Other Similar products are found below :

[73-6670-7](#) [73-6680-15](#) [73-7797-25](#) [MCJB2-10P6Q7-120](#) [84909-0204](#) [1200700174](#) [1200860368](#) [1410147](#) [E16A06002M030](#) [E200102-009-S1](#) [AX105346-EW](#) [MT14-187L](#) [17-103530](#) [ERWPAB3002M005](#) [190-038045-01](#) [NK5EPC18RDY](#) [NK5EPC18VLY](#) [NK5EPC18YLY](#) [NK5EPC1GRY](#) [NK5EPC4Y](#) [NK5EPC6YLY](#) [NK5EPC8BLY](#) [NK5EPC9YLY](#) [1969343-6](#) [C501100010](#) [C501106002](#) [C501106007](#) [C501106015](#) [C501106025](#) [C601102010](#) [C601104010](#) [C601106007](#) [C601106015](#) [2142758-2](#) [2168427-2](#) [CAT1106007](#) [21949-1](#) [2J1866A](#) [RJF SFTP 5E 0500](#) [AX100351](#) [MN14CEC/ST](#) [C501100015](#) [C501106004](#) [C501106010](#) [C5F1108007](#) [C601104004](#) [C601106004](#) [CA21106004](#) [CA21106010](#) [CA21109007](#)