

52005540	DATA SHEET	
Valid from: 06.06.2023	SKINDICHT® SVRE	

The SKINDICHT® SVRE is a metal cable gland acc. to DIN 46320 for general use. The multi-size sealing ring can be individually adapted to various cable diameters by removing pre-cut rings.



Components:

Gland body	Brass, nickel-plated
Pressure screw	Brass, nickel-plated
Incised sealing ring	CR
Compression washers	Steel, zinc-plated

Technical features:

Connecting thread	PG9 up to PG48 acc. to DIN 40430
Protection class	IP54 acc. to EN 60529
Temperature range	-20 °C up to +80 °C

Norm references:

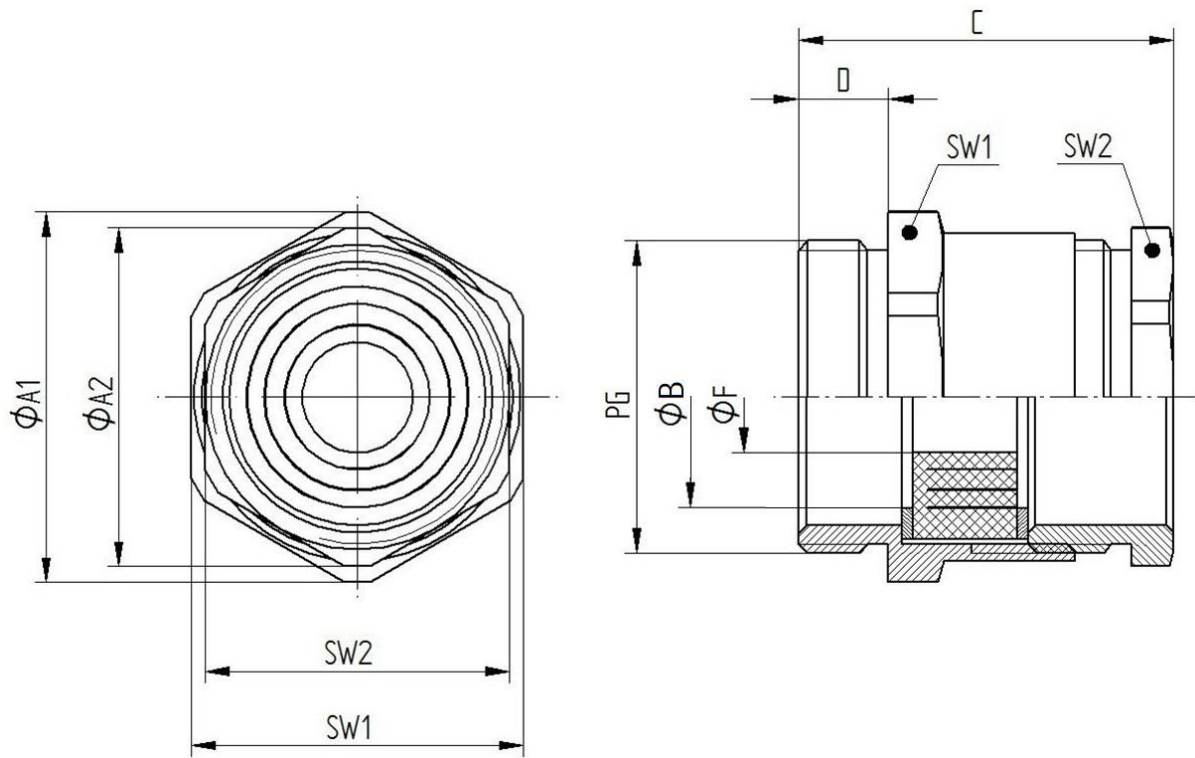


For more information please see our current catalogue. Please do not hesitate to contact our laboratory if there are any questions regarding resistance against aggressive agents and special oil.

Creator: FICE1 /PDP Released: VACH1/PDP	Document: DB52005540EN Version: 04	Page 1 of 2
--	---------------------------------------	-------------

52005540	DATA SHEET	
Valid from: 06.06.2023	SKINDICHT® SVRE	

Product drawing:



Dimension table:

PG	SW1 [mm]	SW2 [mm]	ØA1 [mm]	ØA2 [mm]	C [mm]	D [mm]	ØF [mm] Incised sealing ring	ØB [mm]	Article No.
PG9	17	15	18,9	16,6	22,6	6	5 / 8	10	52005540
PG11	20	18	22,2	20	23,6	6	7 / 10 / 12,5	12	52000310
PG13,5	22	20	24,4	22,2	26,1	6,5	7 / 10,5 / 13 / 16	14	52000320
PG16	24	22	26,7	24,4	27,1	6,5	8 / 10,5 / 13,5 / 16	16	52000330
PG21	30	28	33,5	31,2	29,6	7	11 / 15 / 18 / 20	21	52000340
PG29	40	37	43,5	41	32,6	8	18 / 23 / 27 / 31	30	52000350
PG36	50	47	54	50,5	38,6	9	24 / 28 / 31 / 35	38	52000360
PG42	57	54	61	59	43,6	10	30 / 35,5 / 39 / 42,5 / 46	43	52005550
PG48	64	60	69	65	45,1	10	36 / 40 / 44 / 47 / 50,5	48	52005560

X-ON Electronics

Largest Supplier of Electrical and Electronic Components

Click to view similar products for [Cable Glands, Strain Reliefs & Cord Grips](#) category:

Click to view products by [Lapp Kabel](#) manufacturer:

Other Similar products are found below :

[1300980012](#) [DBZM-6828](#) [1498](#) [15190-103 R2](#) [1.587.3400.71](#) [300623](#) [07402002](#) [CD21NS-01](#) [VC-M-KV-PG16 1X3/1X8](#) [35935](#) [35882](#)
[M4340GAE](#) [4597](#) [NG-9516 Gasket](#) [52006157](#) [52006176](#) [BM4963L](#) [53629556](#) [53629570](#) [53629675](#) [52025230](#) [52024853](#) [52103160](#)
[52115810](#) [53017640](#) [53019051](#) [53019071](#) [53112270](#) [53112330](#) [53112840](#) [53112879](#) [53112929](#) [53111470](#) [53015270](#) [53015090](#) [53018090](#)
[PG-29](#) [36681](#) [36550](#) [36310](#) [35880](#) [1300990004](#) [Z5.507.2321.0](#) [CGB295-SG](#) [5320816](#) [1.089.1399.19](#) [1.089.2106.19](#) [1.089.2905.19](#)
[1.089.3699.19](#) [1.089.4801.19](#)