

52000830	DATA SHEET	
Valid from: 03.07.2018	SKINDICHT® SH	

The SKINDICHT® SH a strain relieving cable gland. All the components are made of nickel-plated brass. Effective strain relief is obtained by the robust, specially shaped brass clamp.



Components:

Pressure screw:	Brass, nickel-plated
Clamping bracket:	Brass, nickel-plated
Thread screws:	Brass, nickel-plated

Technical features:

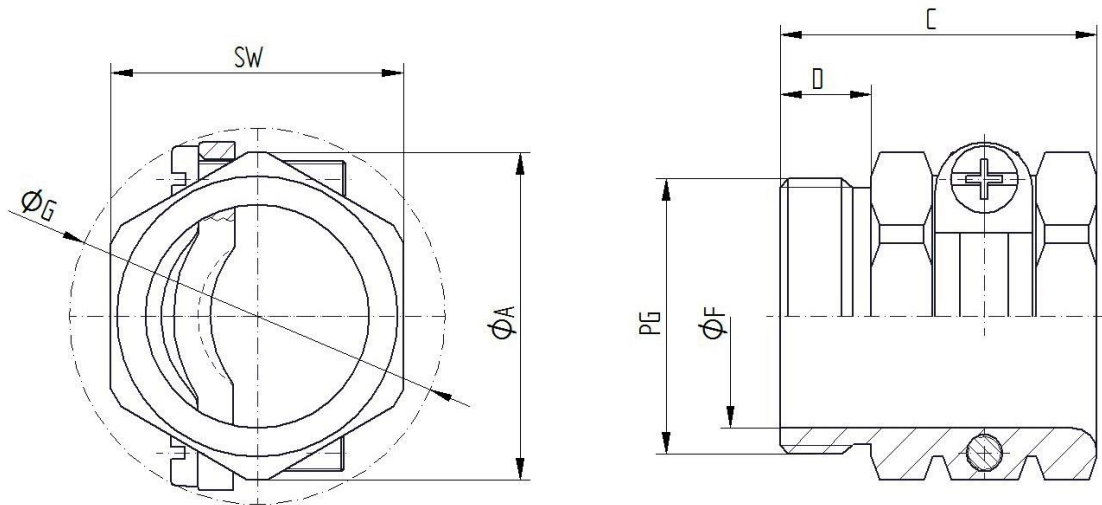
Connecting thread:	PG7 up to PG48 acc. to DIN 40430
Temperature range:	-60°C up to +200°C

Norm References:



Creator: MAU1/PDP Released: DAMU1/PDP	Document: DB52000830EN Version: 03	Page 1 of 2
--	---------------------------------------	-------------

52000830	DATA SHEET	
Valid from: 03.07.2018	SKINDICHT® SH	



PG	SW mm	Ø A mm	C mm	D mm	Ø F mm	Ø G mm	Clamping range mm	Screw	Article No.
PG7	15	17,0	17,5	5,5	10	24	8 - 10	M2,3x7	52000830
PG9	17	19,3	20,5	6	12,5	28	10 - 12,5	M2,3x9	52000840
PG11	20	22,8	21,5	6	15	30	11 - 15	M2,5x10	52000850
PG13,5	22	25,1	24	7,5	16,5	34	14 - 16,5	M3x10	52000860
PG16	24	27,4	26	7,5	18,3	36	15 - 18	M3x13	52000870
PG21	30	34,3	29	8	23,5	46	18 - 23,5	M4x18	52000880
PG29	41	47,0	33	8	31	59	23 - 31	M5x20	52000890
PG36	50	57,4	36,5	9,5	40,5	73	29 - 40,5	M5x25	52000900
PG42	57	65,4	38	10	45	79	34 - 45	M6x26	52000910
PG48	64	73,5	39,5	11,5	50	87	39 - 50	M6x26	52000920

For more information please see our current catalogue. Please do not hesitate to contact our laboratory if there are any questions regarding resistance against aggressive agents and special oil.

Creator: MAU1/PDP Released: DAMU1/PDP	Document: DB52000830EN Version: 03	Page 2 of 2
--	---------------------------------------	-------------

X-ON Electronics

Largest Supplier of Electrical and Electronic Components

Click to view similar products for [Cable Glands, Strain Reliefs & Cord Grips](#) category:

Click to view products by [Lapp Kabel](#) manufacturer:

Other Similar products are found below :

[1300980012](#) [DBZM-6828](#) [1498](#) [15190-103 R2](#) [1.587.3400.71](#) [300623](#) [07402002](#) [CD21NS-01](#) [VC-M-KV-PG16 1X3/1X8](#) [35935](#) [35882](#)
[M4340GAE](#) [4597](#) [NG-9516 Gasket](#) [52006157](#) [52006176](#) [BM4963L](#) [53629556](#) [53629570](#) [53629675](#) [52025230](#) [52024853](#) [52103160](#)
[52115810](#) [53017640](#) [53019051](#) [53019071](#) [53112270](#) [53112330](#) [53112840](#) [53112879](#) [53112929](#) [53111470](#) [53015270](#) [53015090](#) [53018090](#)
[PG-29](#) [36681](#) [36550](#) [36310](#) [35880](#) [1300990004](#) [Z5.507.2321.0](#) [CGB295-SG](#) [5320816](#) [1.089.1399.19](#) [1.089.2106.19](#) [1.089.2905.19](#)
[1.089.3699.19](#) [1.089.4801.19](#)