

52000990	DATA SHEET	
Valid from: 03.07.2018	SKINDICHT® SR	

The SKINDICHT® SR is a special cable gland to meet maximum demands on strain-relief, sealing and kink-protection. The neoprene sleeve works in two ways. It provides sealing and kink-protection. Strain-relief is achieved by a solid brass clamp.



Components:

Gland body	Brass, nickel-plated
Pressure screw with clamping bracket	Brass, nickel-plated
Thread screws	Brass, nickel-plated
Anti-kink sleeve	CR
Washer	Steel, zinc-plated
O-ring	NBR

Technical features:

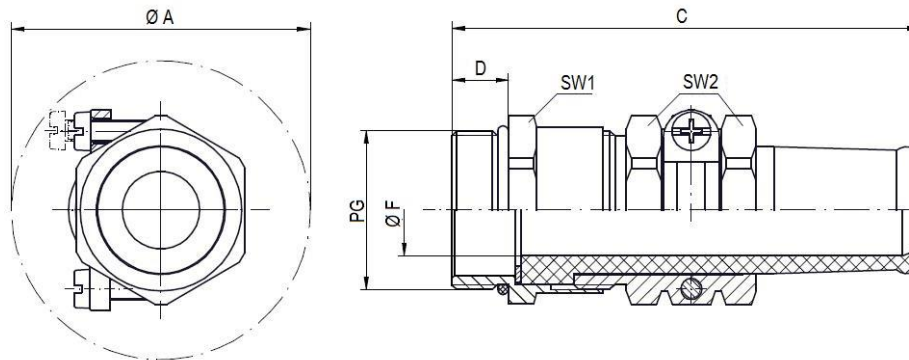
Connecting thread	PG7 to PG48 acc. to DIN 40430
Temperature range	-20 °C to +80 °C
Protection class	IP65 acc. to EN 60529

Norm references:



Creator: T. Dvoulety /PDP Released: DAMU1/PDP	Document: DB52000990EN Version: 03	Page 1 of 2
--	---------------------------------------	-------------

52000990	DATA SHEET	
Valid from: 03.07.2018	SKINDICHT® SR	



PG	SW1 [mm]	SW2 [mm]	Ø A [mm]	C [mm]	D [mm]	Ø F [mm] Clamping range	O-Ring [mm]	Article No.
PG7	14	15	23	48,8	5	3,5 - 5	10x1,5	52000990
PG9	17	17	25	51,8	6	5,5 - 7	13x1,5	52001000
PG11	20	20	28	55,8	6	5,5 - 7	16x1,5	52001010
PG11	20	20	28	55,8	6	7,5 - 9	16x1,5	52001020
PG13,5	22	22	32	60,3	6,5	7,5 - 9	18x1,5	52001030
PG13,5	22	22	32	60,3	6,5	9 - 11	18x1,5	52001040
PG13,5	22	22	32	60,3	6,5	11 - 13	18x1,5	52001050
PG16	24	24	35	66,3	6,5	11,5 - 13	20x1,5	52001060
PG16	24	24	35	66,3	6,5	13 - 15	20x1,5	52001070
PG21	30	30	46	78,5	7	13,5 - 15	26x2	52001080
PG21	30	30	46	78,5	7	15 - 17	26x2	52001090
PG21	30	30	46	78,5	7	17 - 19	26x2	52001100
PG21	30	30	46	78,5	7	18 - 20	26x2	52001110
PG29	40	41	59	90,5	8	18 - 20	34x2	52001120
PG29	40	41	59	90,5	8	21 - 23	34x2	52001130
PG29	40	41	59	90,5	8	23 - 25	34x2	52001140
PG36	50	50	70	109,0	9	23 - 26	44x2	52001150
PG36	50	50	70	109,0	9	27 - 30	44x2	52001160
PG36	50	50	70	109,0	9	30 - 33	44x2	52001170
PG36	50	50	70	109,0	9	32 - 35	44x2	52001180
PG42	57	57	75	113,0	10	32 - 35	50x2	52001190
PG42	57	57	75	113,0	10	35 - 38	50x2	52001200
PG42	57	57	75	113,0	10	36 - 40	50x2	52001210
PG48	64	64	83	118,0	10	36 - 40	55x2	52001220
PG48	64	64	83	118,0	10	40 - 44	55x2	52001230

For more information please see our current catalogue. Please do not hesitate to contact our laboratory if there are any questions regarding resistance against aggressive agents and special oil.

Creator: T. Dvoulety /PDP Released: DAMU1/PDP	Document: DB52000990EN Version: 03	Page 2 of 2
--	---------------------------------------	-------------

X-ON Electronics

Largest Supplier of Electrical and Electronic Components

Click to view similar products for [Cable Glands, Strain Reliefs & Cord Grips](#) category:

Click to view products by [Lapp Kabel](#) manufacturer:

Other Similar products are found below :

[1300980012](#) [DBZM-6828](#) [1498](#) [15190-103 R2](#) [1.587.3400.71](#) [300623](#) [07402002](#) [CD21NS-01](#) [VC-M-KV-PG16 1X3/1X8](#) [35935](#) [35882](#)
[M4340GAE](#) [4597](#) [NG-9516 Gasket](#) [52006157](#) [52006176](#) [BM4963L](#) [53629556](#) [53629570](#) [53629675](#) [52025230](#) [52024853](#) [52103160](#)
[52115810](#) [53017640](#) [53019051](#) [53019071](#) [53112270](#) [53112330](#) [53112840](#) [53112879](#) [53112929](#) [53111470](#) [53015270](#) [53015090](#) [53018090](#)
[PG-29](#) [36681](#) [36550](#) [36310](#) [35880](#) [1300990004](#) [Z5.507.2321.0](#) [CGB295-SG](#) [5320816](#) [1.089.1399.19](#) [1.089.2106.19](#) [1.089.2905.19](#)
[1.089.3699.19](#) [1.089.4801.19](#)