

52002530	<b>DATA SHEET</b>	
Valid from: 03.07.2018	<b>SKINDICHT® SHV</b>	

The SKINDICHT® SHV is a water pressure-tight cable gland for extremely demanding applications. The special conical seal element is pulled through the entire gland and thus ensures excellent compression strength and strain relief.



**Components:**

Gland body	Brass, nickel-plated
Pressure screw	Brass, nickel-plated
Cone seal	CR
Pressure cone	Brass, nickel-plated
Pressure washer	Steel, zinc-plated
O-ring	NBR

**Technical features:**

Connecting thread	PG7 up to PG29 acc. to DIN 40430
Protection class	IP68 – 10 bar, test acc. to EN 60529
Temperature range	-20 °C up to +80 °C

**Other Characteristics:**

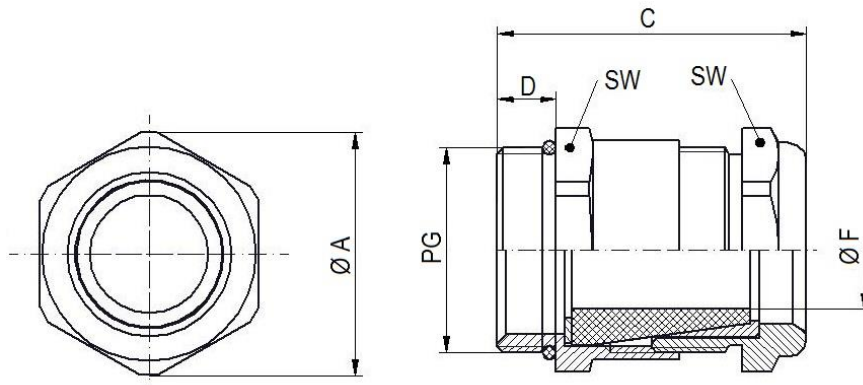
Gentle cable clamping  
Robust

**Norm references:**



Creator: T. Dvoulety /PDP Released: DAMU1/PDP	Document: DB52002530EN Version: 03	Page 1 of 2
--	---------------------------------------	-------------

52002530	<b>DATA SHEET</b>	
Valid from: 03.07.2018	<b>SKINDICHT® SHV</b>	



PG	SW [mm]	Ø A [mm]	C [mm] max.	D [mm]	Ø F [mm] Clamping range	O-Ring [mm]	Article No.
PG7	14	15,5	26,0	5,0	3,8-4,8	10x1,5	52002530
PG9	17	18,9	28,5	6,0	4,8-5,8	13x1,5	52002550
PG9	17	18,9	28,5	6,0	5,8-6,8	13x1,5	52002540
PG11	20	22,2	31,0	6,0	5,8-6,8	16x1,5	52002570
PG11	20	22,2	31,0	6,0	6,8-8,8	16x1,5	52002560
PG13,5	22	24,4	33,0	6,5	6,5-8,8	13x1,5	52010650
PG13,5	22	24,4	33,0	6,5	8,5-10,8	13x1,5	52010660
PG13,5	22	24,4	33,0	6,5	6,8-8,8	16x1,5	52010670
PG13,5	22	24,4	33,0	6,5	8,5-10,8	16x1,5	52010680
PG13,5	22	24,4	33,0	6,5	6,8-8,8	18x1,5	52002600
PG13,5	22	24,4	33,0	6,5	8,5-10,8	18x1,5	52002590
PG16	24	26,7	35,0	6,5	8,5-10,8	16x1,5	52010690
PG16	24	26,7	35,0	6,5	10,8-12,8	16x1,5	52010700
PG16	24	26,7	35,0	6,5	13,8-14,8	16x1,5	52010710
PG16	24	26,7	35,0	6,5	8,5-10,8	18x1,5	52010720
PG16	24	26,7	35,0	6,5	10,8-12,8	18x1,5	52010730
PG16	24	26,7	35,0	6,5	13,8-14,8	18x1,5	52010740
PG16	24	26,7	35,0	6,5	8,5-10,8	20x1,5	52002640
PG16	24	26,7	35,0	6,5	10,8-12,8	20x1,5	52002630
PG16	24	26,7	35,0	6,5	13,8-14,8	20x1,5	52002620
PG21	30	33,5	38,0	7,0	13,3-15,6	20x1,5	52010750
PG21	30	33,5	38,0	7,0	15,8-17,8	20x1,5	52010760
PG21	30	33,5	38,0	7,0	17,5-19,8	20x1,5	52010770
PG21	30	33,5	38,0	7,0	14,8-15,8	26x2	52002670
PG21	30	33,5	38,0	7,0	15,8-17,8	26x2	52002660
PG21	30	33,5	38,0	7,0	17,5-19,8	26x2	52002650
PG29	40	43,5	44,5	8,0	19,5-21,8	34x2	52002710
PG29	40	43,5	44,5	8,0	21,8-23,8	34x2	52002700
PG29	40	43,5	44,5	8,0	23,8-25,8	34x2	52002690

For more information please see our current catalogue. Please do not hesitate to contact our laboratory if there are any questions regarding resistance against aggressive agents and special oil.

Creator: T. Dvoulety /PDP Released: DAMU1/PDP	Document: DB52002530EN Version: 03	Page 2 of 2
--	---------------------------------------	-------------

## X-ON Electronics

Largest Supplier of Electrical and Electronic Components

*Click to view similar products for [Cable Glands, Strain Reliefs & Cord Grips](#) category:*

*Click to view products by [Lapp Kabel](#) manufacturer:*

Other Similar products are found below :

[1300980012](#) [DBZM-6828](#) [1498](#) [15190-103 R2](#) [1.587.3400.71](#) [300623](#) [07402002](#) [CD21NS-01](#) [VC-M-KV-PG16 1X3/1X8](#) [35935](#) [35882](#)  
[M4340GAE](#) [4597](#) [NG-9516 Gasket](#) [52006157](#) [52006176](#) [BM4963L](#) [53629556](#) [53629570](#) [53629675](#) [52025230](#) [52024853](#) [52103160](#)  
[52115810](#) [53017640](#) [53019051](#) [53019071](#) [53112270](#) [53112330](#) [53112840](#) [53112879](#) [53112929](#) [53111470](#) [53015270](#) [53015090](#) [53018090](#)  
[PG-29](#) [36681](#) [36550](#) [36310](#) [35880](#) [1300990004](#) [Z5.507.2321.0](#) [CGB295-SG](#) [5320816](#) [1.089.1399.19](#) [1.089.2106.19](#) [1.089.2905.19](#)  
[1.089.3699.19](#) [1.089.4801.19](#)