



DATA SHEET	52002680
SKINDICHT® BL	valid from : 15.1.2016

The SKINDICHT® BL blind plugs are used when already existing housing holes are not yet engaged or no longer engaged. The blind plug is equipped by a screw-driver groove, which makes installation significantly easier.
The SKINDICHT® BL is qualified for using in machines, apparatus and motor-drives.



Technical features:

Connecting thread	PG7 up to PG48 acc. to DIN 40430
Material	Brass, nickel-plated
Material of O-ring	NBR
Protection class	without O-ring: IP54 acc. to EN 60529 with O-Ring: IP68 – 5 bar, test acc. to EN 60529
Temperature range	without O-ring: -60 °C up to +200 °C with O-ring: -30 °C up to +100 °C

Norm references:



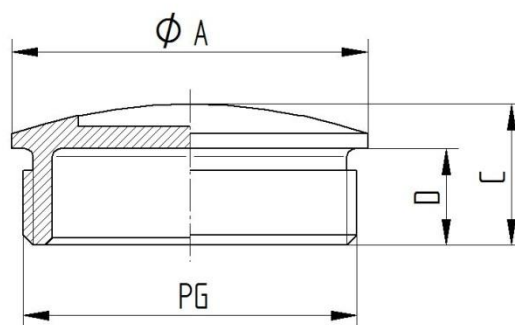
For more information please see our current catalogue.

elaborated by: PDP: T. Dvoulety	Document: DB52002680_1EN	page 1 of 2
------------------------------------	--------------------------	-------------

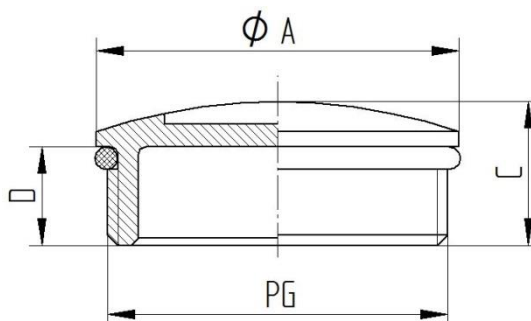
DATA SHEET	52002680
SKINDICHT® BL	valid from : 15.1.2016

SKINDICHT® BL without O-ring

PG	Ø A [mm]	C [mm]	D [mm]	Article No.
PG 7	14	8	5	52002680
PG 9	17	9	6	52003390
PG 11	20	9	6	52003400
PG 13,5	22	9,5	6,5	52003410
PG 16	24	9,5	6,5	52003420
PG 21	30	11	7	52003430
PG 29	39	12	8	52003440
PG 36	50	15	9	52003450
PG 42	57	16	10	52003460
PG 48	64	16	10	52002790



SKINDICHT® BL with O-ring



PG	Ø A [mm]	C [mm]	D [mm]	O-ring [mm]	Article No.
PG 7	14	8	5	10x1,5	54001610
PG 9	17	9	6	13x1,5	54000071
PG 11	20	9	6	16x1,5	54000040
PG 13,5	22	9,5	6,5	18x1,5	54001630
PG 16	24	9,5	6,5	20x1,5	54001640
PG 21	30	11	7	26x2	54001660
PG 29	39	12	8	34x2	54001620
PG 36	50	15	9	44x2	54001650
PG 42	57	16	10	50x2	54001670
PG 48	64	16	10	55x2	54001680

X-ON Electronics

Largest Supplier of Electrical and Electronic Components

Click to view similar products for [Wire Identification category](#):

Click to view products by [Lapp Kabel manufacturer](#):

Other Similar products are found below :

[CU6337-000](#) [CU6342-000](#) [FCA-410-12](#) [11631010](#) [1-1768037-1](#) [1-1768037-2](#) [1-1768050-0](#) [PXLK-VI](#) [Q62184-1](#) [A64304-000](#) [QMT221](#)
[HK032WE1NF038B](#) [1330-0519-10](#) [1395199-1](#) [1395200-1](#) [1395202-1](#) [DMVF050WE-300S6](#) [D-SCE-1K-2.4-50-4-CS7834](#) [1538738-1](#)
[E90935-000](#) [EC1238-000](#) [EC1465-000](#) [EC1855-000](#) [EC1859-000](#) [EC1863-000](#) [EC5415-000](#) [EC7277-000](#) [EC7352-000](#) [EC7603-000](#)
[EC7707-000](#) [EC7735-000](#) [EC7768-000](#) [EC7828-000](#) [EC7854-000](#) [EC7952-000](#) [EC8128-000](#) [1768037-8](#) [1768041-7](#) [NC-127191-10-9](#)
[HS048WE2NF038B](#) [C03232-000](#) [HTCM-SCE-14-4H-9](#) [HTMS-3/16-9](#) [HT-SCE-1/4-2.0-4](#) [HT-SCE-3/16-2.0-4](#) [HTTMS-1/2-1.50-9](#) [HTTMS-](#)
[CM-1/2-4H-9](#) [HX-SCE-19.0-50-9](#) [HX-SCE-6.4-50-4](#) [C25254-000](#)