

| | | |
|---------------------------|----------------------|---|
| 52003490 | DATA SHEET |  |
| Valid from: 18.01.2024 | SKINDICHT® SM | |

The SKINDICHT® SM is a nickel-plated brass locknut with PG-thread. It is required wherever a gland must be secured or thin housing walls allow only through-holes.

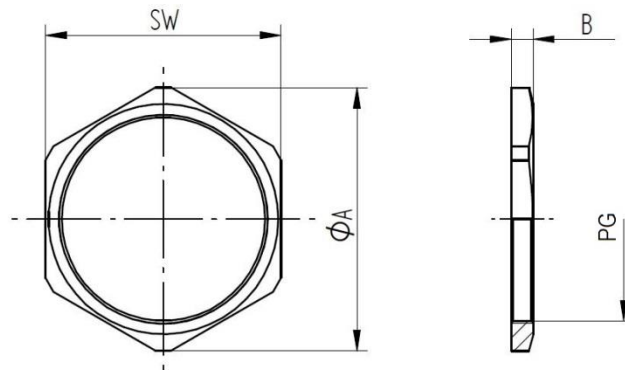


Technical features:

| | |
|-------------------|--|
| Size | PG7 up to PG48, thread acc. to DIN 40430 |
| Material | Brass, nickel plated Brass Lead Free, nickel plated |
| Temperature range | -60°C up to +200°C |



Norm references:



| Thread PG | Wrench Size SW mm | Diameter Ø A mm | Thickness B mm | Article No. | |
|--------------|-------------------------|-----------------------|----------------------|-------------|-----------------|
| | | | | Brass | Brass Lead Free |
| PG 7 | 15 | 16,6 | 2,8 | 52003490 | 52003490LF |
| PG 9 | 18 | 20,0 | 2,8 | 52003500 | 52003500LF |
| PG 11 | 21 | 23,5 | 3,0 | 52003510 | 52003510LF |
| PG 13,5 | 23 | 25,5 | 3,0 | 52003520 | 52003520LF |
| PG 16 | 26 | 29,0 | 3,0 | 52003530 | 52003530LF |
| PG 21 | 32 | 35,5 | 3,5 | 52003540 | 52003540LF |
| PG 29 | 41 | 45,0 | 4,0 | 52003550 | 52003550LF |
| PG 36 | 51 | 56,0 | 5,0 | 52003560 | 52003560LF |
| PG 42 | 60 | 65,0 | 5,0 | 52003570 | 52003570LF |
| PG 48 | 64 | 69,0 | 5,5 | 52003580 | 52003580LF |

For more information please see our current catalogue. Please do not hesitate to contact our laboratory if there are any questions regarding resistance against aggressive agents and special oil.

| | | |
|---|---------------------------------------|-------------|
| Creator: MAU1 /PDP Released: DAMU1/PDP | Document: DB52003490EN Version: 07 | Page 1 of 1 |
|---|---------------------------------------|-------------|

X-ON Electronics

Largest Supplier of Electrical and Electronic Components

Click to view similar products for [Cable Glands, Strain Reliefs & Cord Grips](#) category:

Click to view products by [Lapp Kabel](#) manufacturer:

Other Similar products are found below :

[1300980012](#) [DBZM-6828](#) [1498](#) [15190-103 R2](#) [1.587.3400.71](#) [300623](#) [07402002](#) [CD21NS-01](#) [VC-M-KV-PG16 1X3/1X8](#) [35935](#) [35882](#)
[M4340GAE](#) [4597](#) [NG-9516 Gasket](#) [52006157](#) [52006176](#) [BM4963L](#) [53629556](#) [53629570](#) [53629675](#) [52025230](#) [52024853](#) [52103160](#)
[52115810](#) [53017640](#) [53019051](#) [53019071](#) [53112270](#) [53112330](#) [53112840](#) [53112879](#) [53112929](#) [53111470](#) [53015270](#) [53015090](#) [53018090](#)
[PG-29](#) [36681](#) [36550](#) [36310](#) [35880](#) [1300990004](#) [Z5.507.2321.0](#) [CGB295-SG](#) [5320816](#) [1.089.1399.19](#) [1.089.2106.19](#) [1.089.2905.19](#)
[1.089.3699.19](#) [1.089.4801.19](#)