


52024090	DATA SHEET	
Valid from: 03.07.2018	SKINDICHT® SE without E+D	

SKINDICHT® SE flange angular cable gland is characterised by design, exceptionally low overall height and stability. It can be securely and shortly installed with only two or four fixing holes. The recessed Perbunan® O-ring guarantees a strong seal between the housing and the gland. The die cast zinc material is resistant against tropical conditions and corrosion, even in combination with grey cast iron or steel.

SKINDICHT® SE can be combined with all special cable glands in our range such as sealing-, strain relieve-, bending protection-, conduit connection- or earthing glands. The protection class depends on the special glands which are combined, but the standard version is at least IP55.



Components:

Angular housing	Zinc die-casting, grey, hammer-tone enamelled
Sleeve	PE
O-Ring	NBR


Technical Features:

Connecting thread	PG16, PG21, PG29, PG36 acc. to DIN 40430
Temperature range	-20 °C up to +80 °C
Protection class	IP55 acc. to EN 60529

Norm references:

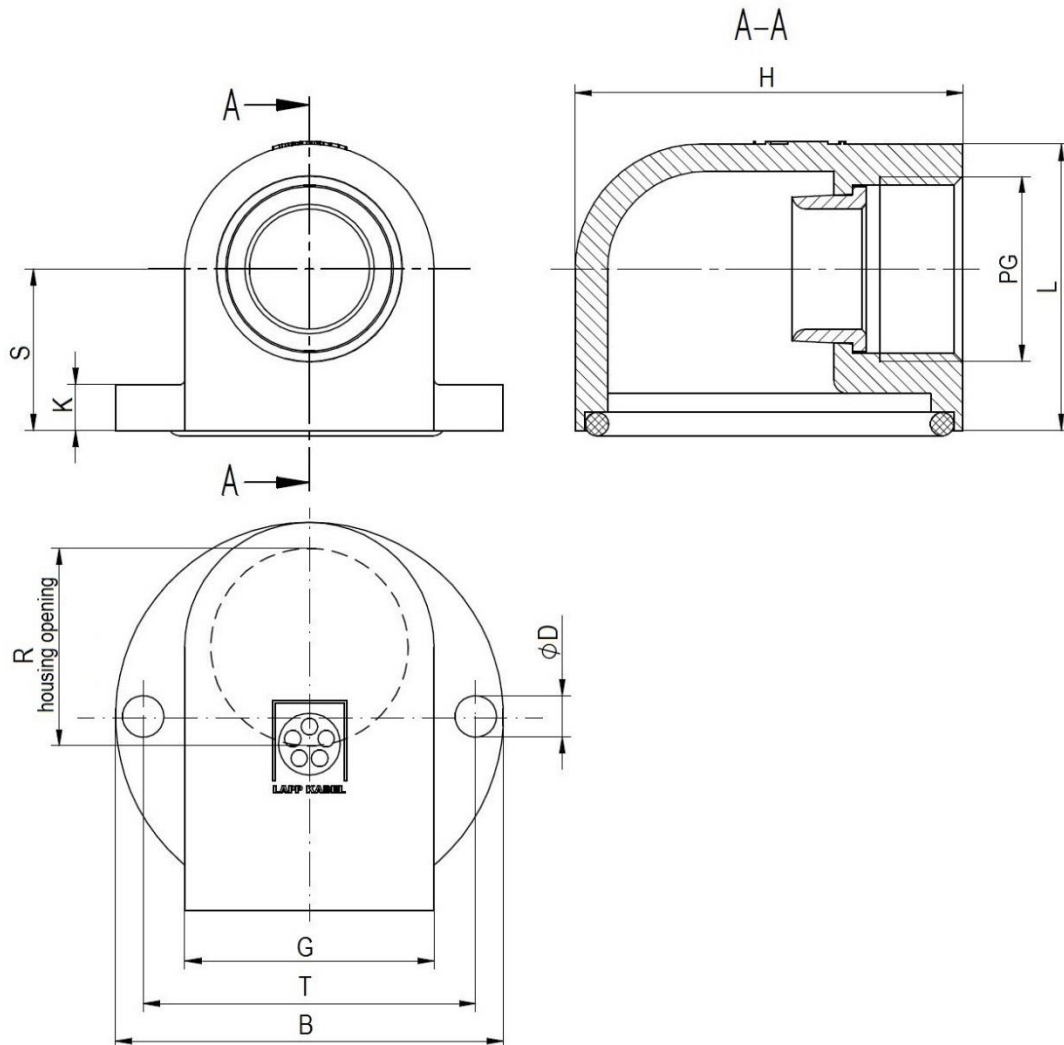


Creator: T. Dvoulety /PDP Released: DAMU1/PDP	Document: DB52024090EN Version: 01	Page 1 of 3
--	---------------------------------------	-------------

52024090	DATA SHEET	
Valid from: 03.07.2018	SKINDICHT® SE without E+D	


SKINDICHT® SE without E+D PG16

SKINDICHT® SE without E+D PG21



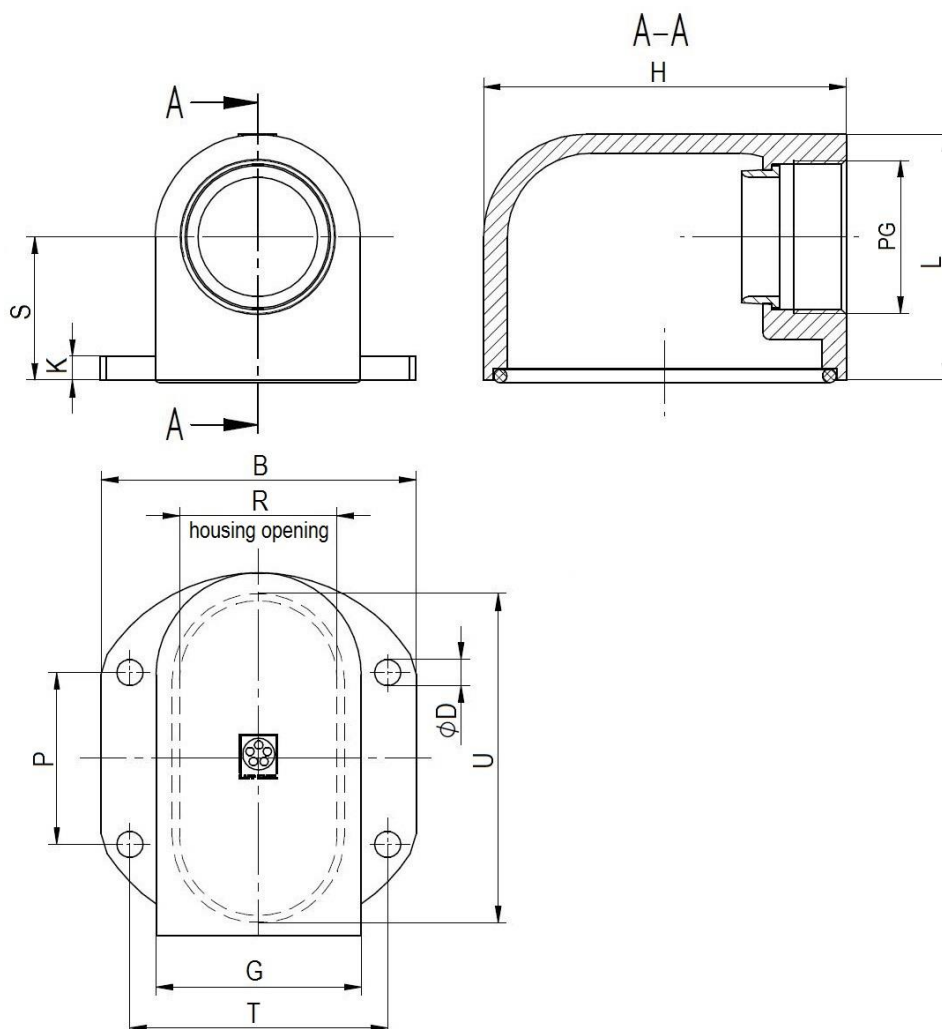
PG	B	ØD	G	H	K	L	R	S	T	Article No.
PG16	42	4,5	27	42	5	31	21	17,5	36	52024090
PG21	60	5,2	35	60	7	40	27	22,5	52,5	52024100

Dimension units: **mm**

52024090	DATA SHEET	
Valid from: 03.07.2018	SKINDICHT® SE without E+D	

SKINDICHT® SE without E+D PG29

SKINDICHT® SE without E+D PG36



PG	B	ØD	G	H	K	L	P	R	S	T	Article No.
PG29	66	5,5	43	76	5	51,5	36	35	30	54	52024110
PG36	85	5,5	54	90	10	62,0	36	44	35	73	52024120

Dimension units: **mm**

For more information please see our current catalogue. Please do not hesitate to contact our laboratory if there are any questions regarding resistance against aggressive agents and special oil.

Creator: T. Dvoulety /PDP Released: DAMU1/PDP	Document: DB52024090EN Version: 01	Page 3 of 3
--	---------------------------------------	-------------

X-ON Electronics

Largest Supplier of Electrical and Electronic Components

Click to view similar products for [Cable Glands, Strain Reliefs & Cord Grips](#) category:

Click to view products by [Lapp Kabel](#) manufacturer:

Other Similar products are found below :

[1300980012](#) [DBZM-6828](#) [1498](#) [15190-103 R2](#) [1.587.3400.71](#) [300623](#) [07402002](#) [CD21NS-01](#) [VC-M-KV-PG16 1X3/1X8](#) [35935](#) [35882](#)
[M4340GAE](#) [4597](#) [NG-9516 Gasket](#) [52006157](#) [52006176](#) [BM4963L](#) [53629556](#) [53629570](#) [53629675](#) [52025230](#) [52024853](#) [52103160](#)
[52115810](#) [53017640](#) [53019051](#) [53019071](#) [53112270](#) [53112330](#) [53112840](#) [53112879](#) [53112929](#) [53111470](#) [53015270](#) [53015090](#) [53018090](#)
[PG-29](#) [36681](#) [36550](#) [36310](#) [35880](#) [1300990004](#) [Z5.507.2321.0](#) [CGB295-SG](#) [5320816](#) [1.089.1399.19](#) [1.089.2106.19](#) [1.089.2905.19](#)
[1.089.3699.19](#) [1.089.4801.19](#)