


52104490	<b>DATA SHEET</b>	
Valid from: 14.04.2023	<b>SKINDICHT® MA-PG/M</b>	

The SKINDICHT® MA-PG/M is a reducer from an outer PG-thread to an inner metric thread.



### Components

	<b>Brass</b>	<b>brass lead-free</b>
Material	brass, nickel-plated	brass lead-free, nickel-plated


### Technical features:

External thread	PG7 up to PG36 acc. to DIN 40430
Internal thread	M12x1.5 up to M40x1.5 acc. to EN 60423
Design	Form A Knurl Form B Smooth
Temperature range	-60°C up to +200°C

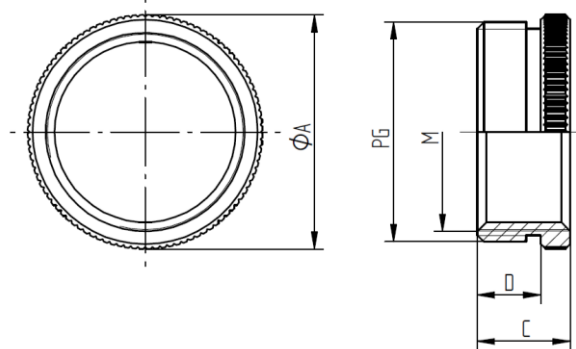
### Norm references:



Creator: M. Wegerer PDP Released: DAMU1/PDP	Document: DB52104490EN Version: 04	Page 1 of 2
--	---------------------------------------	-------------

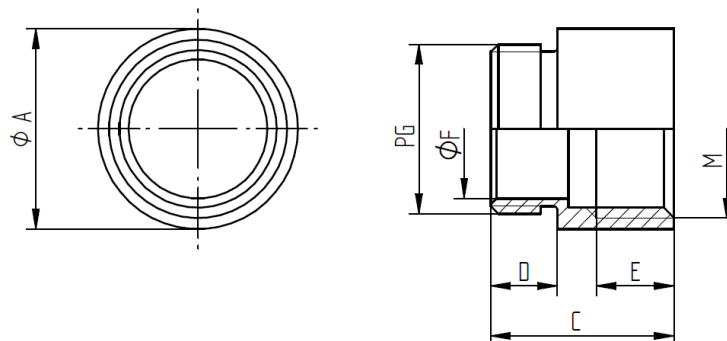
52104490	<b>DATA SHEET</b>	
Valid from: 14.04.2023	<b>SKINDICHT® MA-PG/M</b>	

### SKINDICHT® MA-PG/M Form A



External thread PG	Internal thread M	Diameter Ø A mm	Length C mm	Thread length D mm	Part No. brass	Part No. brass lead-free
PG 11	M16x1.5	20	8,5	6	52104492	52104492LF
PG 16	M20x1.5	24	9,5	6,5	52104495	52104495LF
PG 21	M20x1.5	30	10	7	52104497	52104497LF
PG 21	M25x1.5	30	10	7	52104498	52104498LF
PG 29	M25x1.5	39	11,5	8	52104500	-
PG 29	M32x1.5	39	11,5	8	52104501	-
PG 36	M40x1.5	50	12,5	9	52104503	-

### SKINDICHT® MA-PG/M Form B



External thread PG	Internal thread M	Diameter Ø A mm	Length C mm	Thread length D mm	Thread length E mm	Diameter Ø F mm	Part No. brass	Part No. brass lead-free
PG 7	M12x1,5	14	15	5	6	10	52104490	52104490LF
PG 9	M16x1,5	18	16,5	6	7	12,5	52104491	52104491LF
PG 11	M20x1,5	22	18,5	6	8,5	15	52104493	52104493LF
PG 13,5	M20x1,5	22	19	6,5	8,5	17	52104494	52104494LF
PG 16	M25x1,5	27	21	6,5	8,5	18,5	52104496	52104496LF
PG 21	M32x1,5	34	23	7	10	24	52104499	52104499LF
PG 29	M40x1,5	42	25,5	8	11	32	52104502	52104502LF

For more information please see our current catalogue. Please do not hesitate to contact our laboratory if there are any questions regarding resistance against aggressive agents and special oil.

Creator: M. Wegerer PDP Released: DAMU1/PDP	Document: DB52104490EN Version: 04	Page 2 of 2
--	---------------------------------------	-------------

## X-ON Electronics

Largest Supplier of Electrical and Electronic Components

*Click to view similar products for [Conduit Fittings & Accessories](#) category:*

*Click to view products by [Lapp Kabel](#) manufacturer:*

Other Similar products are found below :

[790-3006](#) [790-3150](#) [RE42](#) [LT20090](#) [LTB15045](#) [LTB20045](#) [LTB3890](#) [CGE195](#) [790-3154](#) [790-3008](#) [790-3014](#) [790-3020](#) [790-3152](#) [790-3156](#) [790-3166](#) [790-3002](#) [790-3162](#) [C2016-P](#) [C2012-P](#) [561-87BG11BLK](#) [1.511.1601.50](#) [55502675](#) [2676](#) [302-TB](#) [655241-000](#) [C17](#) [262-420](#) [TMC165-BR](#) [RBDP-BLA-20D236U](#) [RBDP-BLA-30D346U](#) [SPL25/075/M](#) [CN21](#) [SRN21](#) [3405B](#) [4975](#) [VC12516](#) [RC156-0500](#) [DM0523-1/2A](#) [1035A](#) [DMS0250-1A](#) [DMS0313-1A](#) [1040A](#) [1050A](#) [R1/8A](#) [DMPC0490-1/2A](#) [DMPC0521-1/2A](#) [DMPC0552-1/2A](#) [1070A](#) [R1/2A](#) [E1-7/8B](#)