


52106700	<b>DATA SHEET</b>	
Valid from: 06.06.2023	<b>SKINDICHT® SHZ-M / SHZ-M-XL</b>	

The SKINDICHT® SHZ-M / SHZ-M-XL are compact brass cable glands with a single clamp for reliable strain relief. Sealing is achieved by an incised sealing ring and an O-ring fitted at the connecting thread. The cable gland is particularly suitable for use in plugs, switches and control panels. The SKINDICHT® SHZ-M-XL is constructed identically as SKINDICHT® SHZ-M, but with long connecting thread.



**Components:**

Gland body	Brass, nickel-plated
Pressure screw with single clamp	Brass, nickel-plated
Incised sealing ring	CR
Pressure washers	Steel, zinc-plated
O-Ring	NBR

**Technical features:**


Connecting thread	M12x1,5 up to M63x1,5 acc. to EN 60423
Protection class	IP55 acc. to EN 60529
Temperature range	-20 °C up to +80 °C

**Norm references:**

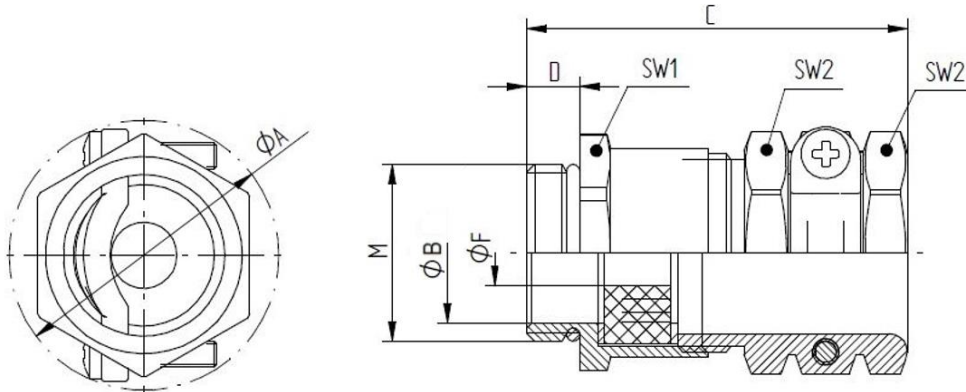


For more information please see our current catalogue. Please do not hesitate to contact our laboratory if there are any questions regarding resistance against aggressive agents and special oil.

Creator: FICE1 /PDP Released: VACH1/PDP	Document: DB52106700EN Version: 03	Page 1 of 2
--	---------------------------------------	-------------

52106700	<b>DATA SHEET</b>	
Valid from: 06.06.2023	<b>SKINDICHT® SHZ-M / SHZ-M-XL</b>	

**Product drawing:**



**Dimension tables:**

**SKINDICHT® SHZ-M**

M	SW1 [mm]	SW2 [mm]	Ø A [mm]	C [mm] max	D [mm]	Ø F [mm] Incised sealing ring	Ø B [mm]	O-Ring [mm]	Article No.
M12x1,5	14	15	24	30,0	5	5	8	9x1,5	52106700
M16x1,5	18	17	28	33,0	5	5/8	10	13x1,5	52106710
M20x1,5	22	20	30	35,0	6	7/10/12,5	12	17x1,5	52106720
M20x1,5	22	22	34	39,5	6	7/10,5/13/16	14	17x1,5	52106730
M20x1,5	24	24	36	41,5	6	8/10,5/13,5/16	15	17x1,5	52106740
M25x1,5	30	30	46	47,5	7	11/15/18/20	20	22x2	52106750
M32x1,5	40	41	59	53,0	8	18/23/27/31	27	28x2	52106760
M40x1,5	50	50	73	60,0	8	24/28/31/35	34	36x2	52106770
M50x1,5	57	57	79	65,0	9	30/35,5/39/42,5/46	43	46x2	52106780
M63x1,5	66	64	87	68,0	10	36/40/44/47/50,5	48	57x2	52106790

**SKINDICHT® SHZ-M-XL**

M	SW1 [mm]	SW2 [mm]	Ø A [mm]	C [mm] max	D [mm]	Ø F [mm] Incised sealing ring	Ø B [mm]	O-Ring [mm]	Article No.
M12x1,5	14	15	24	35,0	10	5	8	9x1,5	52106705
M16x1,5	18	17	28	38,0	10	5/8	10	13x1,5	52106715
M20x1,5	22	20	30	39,0	10	7/10/12,5	12	17x1,5	52106725
M20x1,5	22	22	34	43,5	10	7/10,5/13/16	14	17x1,5	52106735
M20x1,5	24	24	36	45,5	10	8/10,5/13,5/16	15	17x1,5	52106745
M25x1,5	30	30	46	51,0	11	11/15/18/20	20	22x2	52106755
M32x1,5	40	41	59	58,0	13	18/23/27/31	27	28x2	52106765
M40x1,5	50	50	73	67,0	13	24/28/31/35	34	36x2	52106775
M50x1,5	57	57	79	70,0	14	30/35,5/39/42,5/46	43	46x2	52106785
M63x1,5	66	64	87	73,0	14	36/40/44/47/50,5	48	57x2	52106795

## X-ON Electronics

Largest Supplier of Electrical and Electronic Components

*Click to view similar products for [Cable Glands, Strain Reliefs & Cord Grips](#) category:*

*Click to view products by [Lapp Kabel](#) manufacturer:*

Other Similar products are found below :

[1300980012](#) [DBZM-6828](#) [1498](#) [15190-103 R2](#) [1.587.3400.71](#) [300623](#) [07402002](#) [CD21NS-01](#) [VC-M-KV-PG16 1X3/1X8](#) [35935](#) [35882](#)  
[M4340GAE](#) [4597](#) [NG-9516 Gasket](#) [52006157](#) [52006176](#) [BM4963L](#) [53629556](#) [53629570](#) [53629675](#) [52025230](#) [52024853](#) [52103160](#)  
[52115810](#) [53017640](#) [53019051](#) [53019071](#) [53112270](#) [53112330](#) [53112840](#) [53112879](#) [53112929](#) [53111470](#) [53015270](#) [53015090](#) [53018090](#)  
[PG-29](#) [36681](#) [36550](#) [36310](#) [35880](#) [1300990004](#) [Z5.507.2321.0](#) [CGB295-SG](#) [5320816](#) [1.089.1399.19](#) [1.089.2106.19](#) [1.089.2905.19](#)  
[1.089.3699.19](#) [1.089.4801.19](#)