


52106800	DATA SHEET	
Valid from: 06.06.2023	SKINDICHT® SKZ-M / SKZ-M-XL	

The SKINDICHT® SKZ-M is a saddle clamp strain relief gland for harsh applications. The arrangement of the saddle clamps provides a wide clamping range with central cable clamping. The seal is achieved by a recessed sealing ring and an O-ring fitted onto the connecting thread. This cable gland is particularly suitable for use in plugs, switches and control panels.

The SKINDICHT® SKZ-M-XL is similar to the SKINDICHT® SKZ-M, but has an extended connection thread for thick walls.



Components:

Gland body	Brass, nickel-plated
Pressure screw with double clamp	Brass, nickel-plated
Incised sealing ring	CR
Pressure washers	Steel, zinc-plated
O-ring	NBR

Technical features:


Connecting thread	M16x1.5 up to M32x1.5 acc. to EN 60423
Protection class	IP55 acc. to EN 60529
Temperature range	-20 °C up to +80 °C

Norm references:

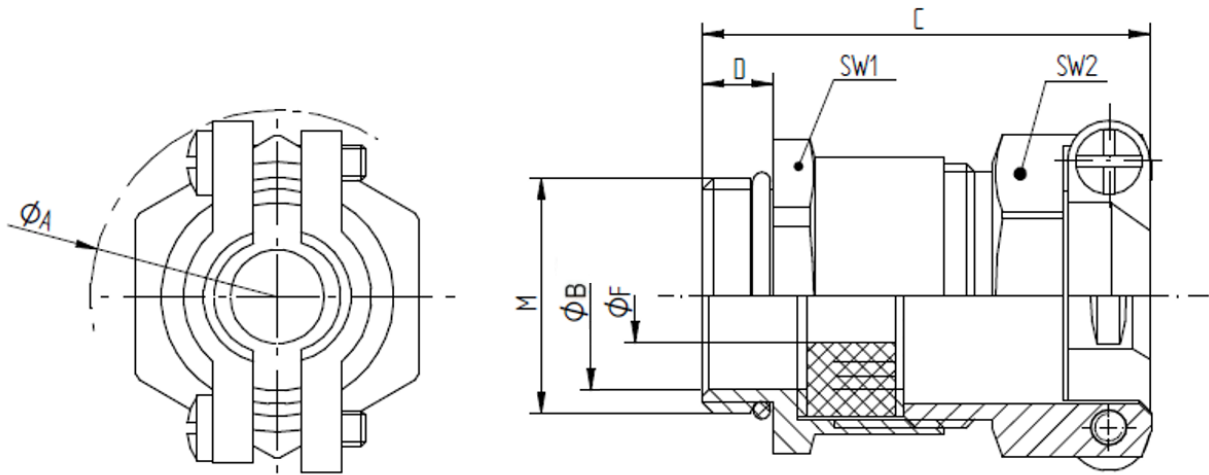


For more information please see our current catalogue. Please do not hesitate to contact our laboratory if there are any questions regarding resistance against aggressive agents and special oil.

Creator: FICE1 /PDP Released: VACH1/PDP	Document: DB52106800EN Version: 02	Page 1 of 2
--	---------------------------------------	-------------

52106800	DATA SHEET	
Valid from: 06.06.2023	SKINDICHT® SKZ-M / SKZ-M-XL	

Product drawing:



Dimension tables:

SKINDICHT® SKZ-M

M	SW1 / SW2 [mm]	Ø A [mm]	C [mm]	D [mm]	Ø F [mm] Incised sealing ring	Ø B [mm]	O-Ring [mm]	Article No.
M16x1,5	18 / 17	28	29,0	5	5/8	10	13x1,5	52106800
M20x1,5	22 / 20	30	30,0	6	7/10/12,5	12	17x1,5	52106810
M20x1,5	22 / 22	34	33,5	6	7/10,5/13/16	14	17x1,5	52106820
M20x1,5	24 / 24	36	34,5	6	8/10,5/13,5/16	15	17x1,5	52106830
M25x1,5	30 / 30	46	41,0	7	11/15/18/20	20	22x2	52106840
M32x1,5	40 / 41	58	46,0	8	18/23/27/31	27	28x2	52106850

SKINDICHT® SKZ-M-XL

M	SW1 / SW2 [mm]	Ø A [mm]	C [mm]	D [mm]	Ø F [mm] Incised sealing ring	Ø B [mm]	O-Ring [mm]	Article No.
M16x1,5	18 / 17	28	34,0	10	5/8	10	13x1,5	52106805
M20x1,5	22 / 20	30	34,0	10	7/10/12,5	12	17x1,5	52106815
M20x1,5	22 / 22	34	37,5	10	7/10,5/13/16	14	17x1,5	52106825
M20x1,5	24 / 24	36	38,5	10	8/10,5/13,5/16	15	17x1,5	52106835
M25x1,5	30 / 30	46	45,0	11	11/15/18/20	20	22x2	52106845
M32x1,5	40 / 41	58	51,0	13	18/23/27/31	27	28x2	52106855

X-ON Electronics

Largest Supplier of Electrical and Electronic Components

Click to view similar products for [Cable Glands, Strain Reliefs & Cord Grips](#) category:

Click to view products by [Lapp Kabel](#) manufacturer:

Other Similar products are found below :

[1300980012](#) [DBZM-6828](#) [1498](#) [15190-103 R2](#) [1.587.3400.71](#) [300623](#) [07402002](#) [CD21NS-01](#) [VC-M-KV-PG16 1X3/1X8](#) [35935](#) [35882](#)
[M4340GAE](#) [4597](#) [NG-9516 Gasket](#) [52006157](#) [52006176](#) [BM4963L](#) [53629556](#) [53629570](#) [53629675](#) [52025230](#) [52024853](#) [52103160](#)
[52115810](#) [53017640](#) [53019051](#) [53019071](#) [53112270](#) [53112330](#) [53112840](#) [53112879](#) [53112929](#) [53111470](#) [53015270](#) [53015090](#) [53018090](#)
[PG-29](#) [36681](#) [36550](#) [36310](#) [35880](#) [1300990004](#) [Z5.507.2321.0](#) [CGB295-SG](#) [5320816](#) [1.089.1399.19](#) [1.089.2106.19](#) [1.089.2905.19](#)
[1.089.3699.19](#) [1.089.4801.19](#)