

| | | |
|---------------------------|----------------------|---|
| 53017420 | DATA SHEET |  |
| Valid from: 25.11.2021 | SKINTOP® BT-M | |

The SKINTOP® BT-M is a cable gland with a trumpet for bending protection of flexible cables and wires, with metric connection thread. The supply cables to electrical appliances and machines, which are moved during usual use, must be protected against excessive bending.

This technical requirement is satisfied in the SKINTOP® range by the SKINTOP® BT-M or by the SKINTOP® BS-M. As with the rest of the SKINTOP® range, the clamping force has a central strain relieving effect on the entire cable perimeter, this is particularly important for bending protection.



Components:

| | |
|---|----------------------|
| Gland body | Polyamide (UL 94/V2) |
| Cap nut with bending protection trumpet | Polyamide (UL 94/V2) |
| Sealing ring | CR |

Technical features:

| | |
|--------------------------------------|--|
| Connecting thread | M16x1.5 up to M25x1.5 acc. to EN 60423 |
| Functional thread | Multi-start trapezoidal thread |
| Protections class / NEMA Type Rating | IP68 - 5 bar, test acc. to EN 60529 NEMA Type 1 and Type 12 |
| Temperature range | -20°C up to +100°C |
| Colour | RAL 7001 |

Approvals:



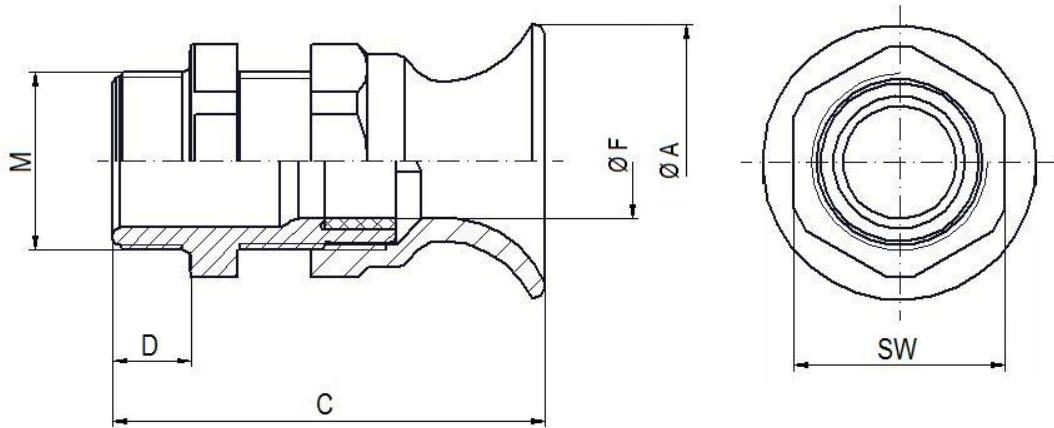
UL File Nr. E79903
(Test in acc. to UL514B)

Norm references:



| | | |
|---|---------------------------------------|-------------|
| Creator: MAU1 /PDP Released: DAMU1/PDP | Document: DB53017420EN Version: 06 | Page 1 of 2 |
|---|---------------------------------------|-------------|

| | | |
|---------------------------|----------------------|---|
| 53017420 | DATA SHEET |  |
| Valid from: 25.11.2021 | SKINTOP® BT-M | |



| M | SW [mm] | Ø A [mm] | C [mm] | D [mm] | Ø F [mm] Clamping range | Article No. |
|---------|---------|----------|--------|--------|----------------------------|-------------|
| M16x1,5 | 19 | 28,0 | 45 | 12 | 3,5-8 | 53017420 |
| M20x1,5 | 24 | 32,0 | 54 | 13 | 5-12 | 53017430 |
| M25x1,5 | 27 | 34,9 | 57 | 13 | 9-14 | 53017440 |

For more information please see our current catalogue. Please do not hesitate to contact our laboratory if there are any questions regarding resistance against aggressive agents and special oil.

| | | |
|---|---------------------------------------|-------------|
| Creator: MAU1 /PDP Released: DAMU1/PDP | Document: DB53017420EN Version: 06 | Page 2 of 2 |
|---|---------------------------------------|-------------|

X-ON Electronics

Largest Supplier of Electrical and Electronic Components

Click to view similar products for [Cable Glands, Strain Reliefs & Cord Grips](#) category:

Click to view products by [Lapp Kabel](#) manufacturer:

Other Similar products are found below :

[1300980012](#) [DBZM-6828](#) [1498](#) [15190-103 R2](#) [1.587.3400.71](#) [300623](#) [07402002](#) [CD21NS-01](#) [VC-M-KV-PG16 1X3/1X8](#) [35935](#) [35882](#)
[M4340GAE](#) [4597](#) [NG-9516 Gasket](#) [52006157](#) [52006176](#) [BM4963L](#) [53629556](#) [53629570](#) [53629675](#) [52025230](#) [52024853](#) [52103160](#)
[52115810](#) [53017640](#) [53019051](#) [53019071](#) [53112270](#) [53112330](#) [53112840](#) [53112879](#) [53112929](#) [53111470](#) [53015270](#) [53015090](#) [53018090](#)
[PG-29](#) [36681](#) [36550](#) [36310](#) [35880](#) [1300990004](#) [Z5.507.2321.0](#) [CGB295-SG](#) [5320816](#) [1.089.1399.19](#) [1.089.2106.19](#) [1.089.2905.19](#)
[1.089.3699.19](#) [1.089.4801.19](#)