

53111407	<b>DATA SHEET</b>	
Valid from: 25.09.2019	<b>SKINTOP® ST-HF-M</b>	

The SKINTOP® ST-HF-M is a metric cable gland made of polyamide which is flame retardant and non-halogen. It is designed for a universal use, in premises where the subject is human protection, such as office and public buildings, undergrounds tunnels, aeration systems, as well as in premises where the subject is protection of properties values, such as industrial installations, storehouses, supply installations and ship building.



### Components:

Gland body	Polyamide, halogen-free, V0 acc. to UL 94
Cap nut	Polyamide, halogen-free, V0 acc. to UL 94
Sealing ring	Special elastomer, halogen-free, flame retardant
O-ring	Special elastomer, halogen-free, flame retardant

### Technical features:

Connecting thread	M12x1,5 up to M63x1,5 acc. to EN 60423
Functional thread	Multi-start trapezoidal thread
Protection class	IP68 - 5 bar, test acc. to EN 60529
Strain relief	Cat. A in acc. to EN 50262
Temperature range	dynamic: -20°C up to +100°C Static: -40°C up to +100°C
Colour	RAL 7035, RAL 9005

### Approvals:



### Norm references:

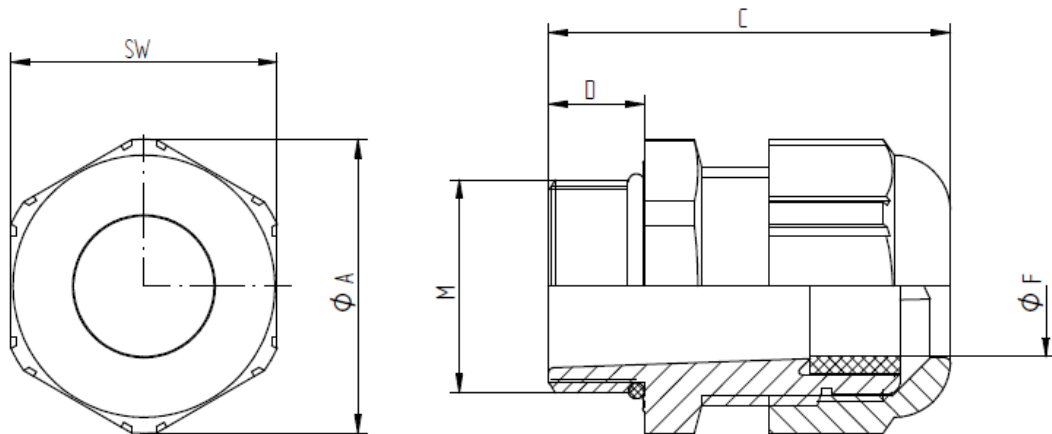


### Tested in according to:

DIN EN 45545-2: 2013-08  
 “Railway applications – Fire protection to railway vehicles – Part 2: Requirements for fire behavior of materials and components.”  
 Test result: Hazard Level **HL3** acc. to DIN EN ISO 4589-2: 2006-06

Creator: MAU1 /PDP Released: DAMU1/PDP	Document: DB53111407EN Version: 10	Page 1 of 2
---	---------------------------------------	-------------

53111407	<b>DATA SHEET</b>	
Valid from: 25.09.2019	<b>SKINTOP® ST-HF-M</b>	



M	SW [mm]	Ø A [mm]	C [mm]	D [mm]	Ø F Clamping range [mm]	O-Ring [mm]	Article No.	
							RAL7035	RAL9005
M12x1,5	15	16,6	30	8	4-5,5	9x1,5	53111407	53111408
M16x1,5	19	21,1	34	8	4,5-9	13x1,5	53111417	53111418
M20x1,5	25	27,6	37	9	7-13	17x2	53111427	53111422
M25x1,5	30	33,6	40	10	9-17	22x2	53111437	53111438
M32x1,5	36	40,3	47	10	11-21	28x2	53111447	53111448
M40x1,5	46	51,6	52	10	19-28	36x2	53111457	53111458
M50x1,5	55	61,6	62	12	27-35	46x2	53111467	53111468
M63x1,5	66	73,9	71	12	34-45	57x2	53111477	53111478

For more information please see our current catalogue. Please do not hesitate to contact our laboratory if there are any questions regarding resistance against aggressive agents and special oil.

Creator: MAU1 /PDP Released: DAMU1/PDP	Document: DB53111407EN Version: 10	Page 2 of 2
---	---------------------------------------	-------------

## X-ON Electronics

Largest Supplier of Electrical and Electronic Components

*Click to view similar products for [Cable Glands, Strain Reliefs & Cord Grips](#) category:*

*Click to view products by [Lapp Kabel](#) manufacturer:*

Other Similar products are found below :

[1300980012](#) [DBZM-6828](#) [1498](#) [15190-103 R2](#) [1.587.3400.71](#) [300623](#) [07402002](#) [CD21NS-01](#) [VC-M-KV-PG16 1X3/1X8](#) [35935](#) [35882](#)  
[M4340GAE](#) [4597](#) [NG-9516 Gasket](#) [52006157](#) [52006176](#) [BM4963L](#) [53629556](#) [53629570](#) [53629675](#) [52025230](#) [52024853](#) [52103160](#)  
[52115810](#) [53017640](#) [53019051](#) [53019071](#) [53112270](#) [53112330](#) [53112840](#) [53112879](#) [53112929](#) [53111470](#) [53015270](#) [53015090](#) [53018090](#)  
[PG-29](#) [36681](#) [36550](#) [36310](#) [35880](#) [1300990004](#) [Z5.507.2321.0](#) [CGB295-SG](#) [5320816](#) [1.089.1399.19](#) [1.089.2106.19](#) [1.089.2905.19](#)  
[1.089.3699.19](#) [1.089.4801.19](#)