

53112680	<b>DATA SHEET</b>	
Valid from: 20.06.2023	<b>SKINTOP® MS-M BRUSH</b>	

The SKINTOP® MS-M BRUSH a nickel-plated brass cable gland especially designed for copper-screened cables, used to achieve a low-resistance screen contact, strain relief and high protection class.  
The SKINTOP® MS-M BRUSH contacts the screen much faster than any other system.



### Components:

Gland body	Brass, nickel-plated
Cap nut	Brass, nickel-plated
Insert with lamellar cage	Polyamide, V2 acc. to UL 94
Sealing ring	Elastomer
Contact brush	Brass wire
O-ring	Elastomer

### Technical features:

Connecting thread	M20x1,5 up to M63x1.5 acc. to DIN EN 60423
Protection class / NEMA Type Rating	IP68 – 10 bar / 30min for M20x1,5 up to M50x1,5 acc. to DIN EN 60529 IP68 – 5 bar / 30min for M63x1,5 acc. to DIN EN 60529 IP68 – 1bar / 30min for M63x1,5 plus acc. to DIN EN 60529 IP69 acc. to EN 60529 (except for M63x1.5 plus) Type 1, Type4X, Type6 and Type12 acc. to UL 50 E, CSA C22.2 No. 94.2-15
Strain relief	Category A acc. to DIN EN 62444
Temperature range	Dynamic     -25 °C up to +100 °C Static       -40 °C up to +100 °C
Transfer impedance	≤ 10 mOhm
Corrosion protection	Salt spray test (168 H. / 35°C) acc. to DIN EN ISO 9227

### Approvals:




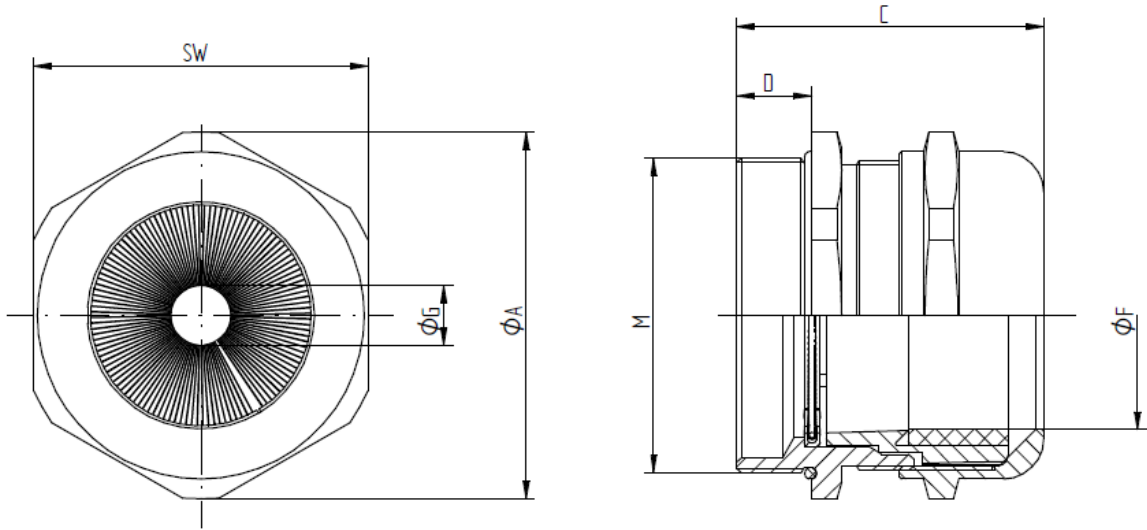
UL File Nr. E79903  
(Test in acc. to UL514B)

### Norm references:



Creator: PDP Released: DAMU1/PDP	Document: DB53112680EN Version: 17	Page 1 of 2
-------------------------------------	---------------------------------------	-------------

53112680	<b>DATA SHEET</b>	
Valid from: 20.06.2023	<b>SKINTOP® MS-M BRUSH</b>	



M	SW [mm]	$\phi_A$ [mm]	C max. [mm]	D [mm]	$\phi_F$ [mm] Clamping range	$\phi_G$ [mm] over braiding	O-Ring [mm]	Art. No.
M20x1,5	24	26,4	37,0	8	7 - 13	3 - 9	17x2	5311 2507
M25x1,5	29	31,9	36,0	8	9-17	6-13,5	22x2	53112676
M32x1,5	36	39,6	42,2	9	11-21	8-18	28x2	53112677
M40x1,5	45	49,5	49,5	9	19-28	10-26	36x2	53112678
M50x1,5	54	59,0	52,0	10	27-35	14-36	46x2	53112679
M63x1,5	67	73,5	61,3	15	34-45	20-40	57x2	53112680
M63x1,5 plus	75	83,9	69,0	15	44-55	25-47	57x2	53112681

For more information, please see our current catalogue. Please do not hesitate to contact our laboratory if there are any questions regarding resistance against aggressive agents and special oil.

Creator: PDP Released: DAMU1/PDP	Document: DB53112680EN Version: 17	Page 2 of 2
-------------------------------------	---------------------------------------	-------------

## X-ON Electronics

Largest Supplier of Electrical and Electronic Components

*Click to view similar products for [Cable Glands, Strain Reliefs & Cord Grips](#) category:*

*Click to view products by [Lapp Kabel](#) manufacturer:*

Other Similar products are found below :

[1300980012](#) [DBZM-6828](#) [1498](#) [15190-103 R2](#) [1.587.3400.71](#) [300623](#) [07402002](#) [CD21NS-01](#) [VC-M-KV-PG16 1X3/1X8](#) [35935](#) [35882](#)  
[M4340GAE](#) [4597](#) [NG-9516 Gasket](#) [52006157](#) [52006176](#) [BM4963L](#) [53629556](#) [53629570](#) [53629675](#) [52025230](#) [52024853](#) [52103160](#)  
[52115810](#) [53017640](#) [53019051](#) [53019071](#) [53112270](#) [53112330](#) [53112840](#) [53112879](#) [53112929](#) [53111470](#) [53015270](#) [53015090](#) [53018090](#)  
[PG-29](#) [36681](#) [36550](#) [36310](#) [35880](#) [1300990004](#) [Z5.507.2321.0](#) [CGB295-SG](#) [5320816](#) [1.089.1399.19](#) [1.089.2106.19](#) [1.089.2905.19](#)  
[1.089.3699.19](#) [1.089.4801.19](#)